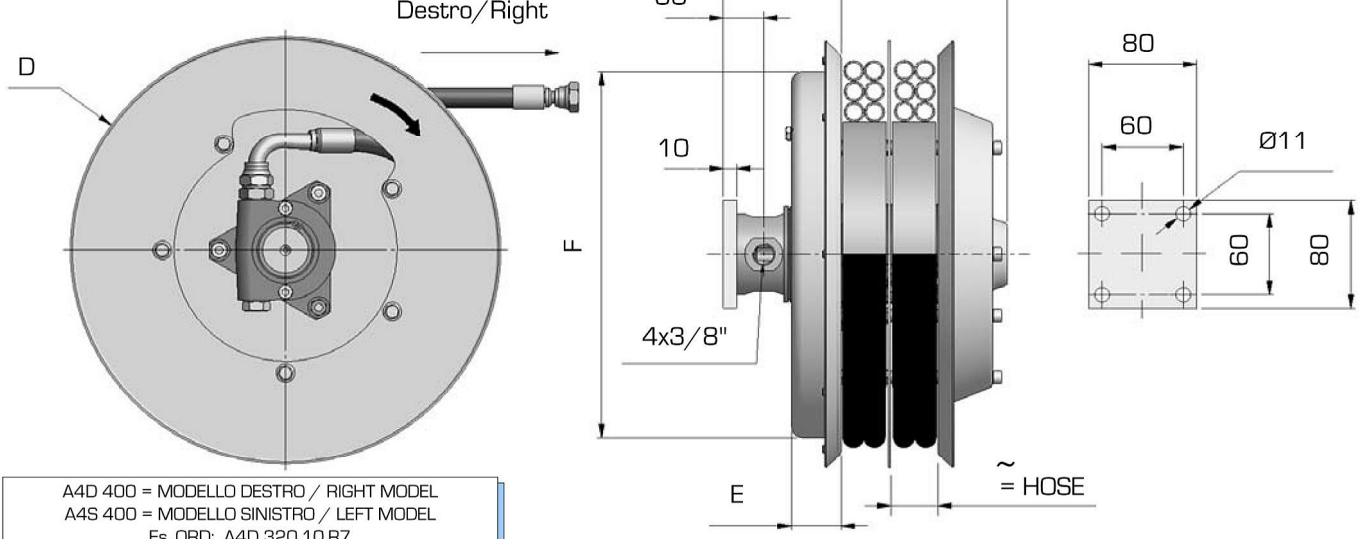
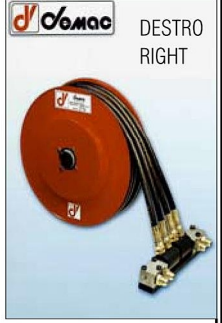
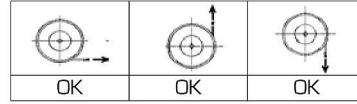


141.1

MAX
30 l/min

W. P. 300 bar
Option 400 bar

MAX HOSE SPEED
30 m/min



A4D 400 = MODELLO DESTRO / RIGHT MODEL
A4S 400 = MODELLO SINISTRO / LEFT MODEL
Es. ORD: A4D 320.10.R7

Modello destro Right model	A	B	D	E	F	Con tubo - with hose - R7 - R8 - B1 - B2		
						Ø	Lungh.totale Total length m	Lungh.utile Usable length m
A4D600.06.XX	220	97	620	47	422	1/4"	21,0	20,5
A4D600.08.XX						5/16"	17,0	16,5
A4D600.10.XX						3/8"	16,0	15,5
A4D650.06.XX	220	97	650	47	422	1/4"	22,5	22,0
A4D650.08.XX						5/16"	19,5	19,0
A4D650.10.XX						3/8"	17,5	17,0
A4D700.06.XX	220	97	720	47	532	1/4"	27,0	26,5
A4D700.08.XX						5/16"	22,0	21,5
A4D700.10.XX						3/8"	20,0	19,5
A4D800.08.XX	220	107	820	57	532	5/16"	30,0	29,0
A4D800.10.XX						3/8"	26,0	25,0