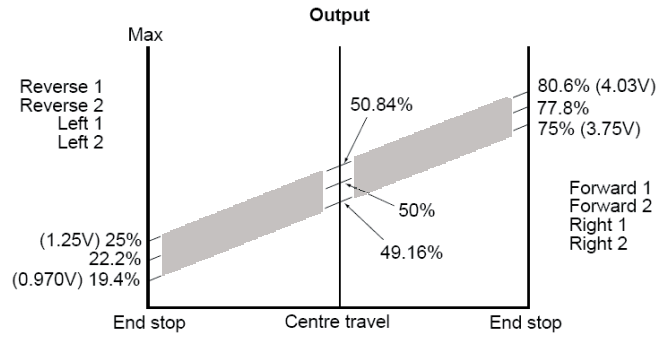
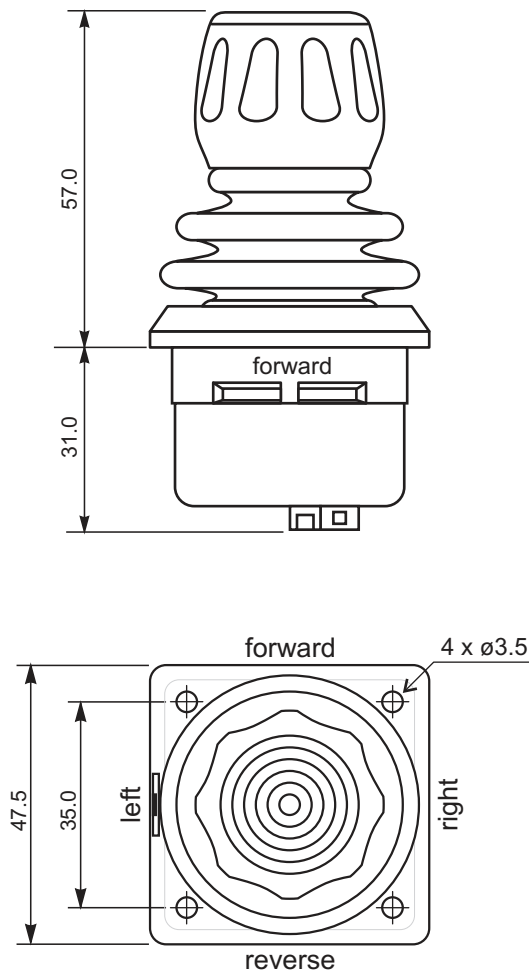
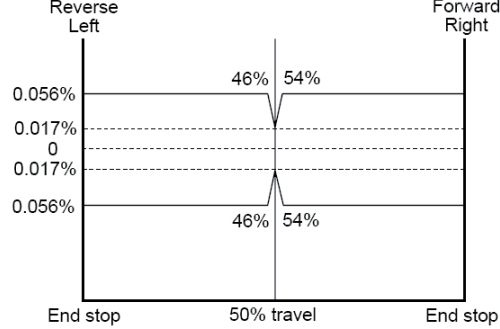


Contactless two-axis joystick

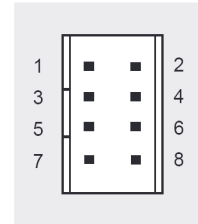


Output difference between sensor 1 & sensor 2 (same axis) with VS = 5V



Pin Number Description

Pin Number	Description
1	XY Joystick
2	Positive voltage supply
3	Left/Right output 1
4	Zero voltage supply
5	Forward/Reverse output 1
6	Forward/Reverse output 2
7	Centre tap
8	Left/Right output 2
8	Not connected



Electrical features

Dual independent outputs, with same phase
 Supply voltage (Vs): 5Vdc ±0.5Vdc regulated transient free
 Output impedance: 100 Ohm each axis

Centre tap voltage (No load): 50%Vs ±1%
 Center tap impedance: 1.1 kOhm

Return to centre voltage (No load):
 Within ±60mV of Vs/2 @ 20°C (±73mV over full temperature range)

Output voltage span: ±25.0% to ±30.6% with respect to Vs/2

EMC immunity level:
 60V/m, 25MHz to 1GHz, 1KHz 80% sine wave modulation,
 EN50082-2 (Sept 1995)

EMC emissions level:
 Complies with EN50081-1 (1992), 30MHz - 1GHz

ESD immunity level:
 EN50082-2 (1995) ±8kV Contact discharge; ±15kV Air discharge
 (10 discharges)

Physical features

Breakout force: 1 N
 Operating force: 2 N (full deflection)
 Maximum allowable: 300 N
 Square gate
 Mechanical operating angle: ±14°flat (±20° diagonal)
 Weight: 120g
 Expected life: 15 x 10⁶ cycles

Operating temperature range: -25 °C ÷ +70 °C
 Storage temperature range: -40 °C ÷ +70 °C
 Environmental rating: IP65 BS EN 60529
 Connector: 8 Pin Berg Minitex™ 90309-008 Shrouded IDC Header
 Mating connector: 8 Pin Berg Minitex™ 89361-708 IDC Connector

Order code

A1000380600 (without cable)
 A1000380602 (with 50 cm flat cable)