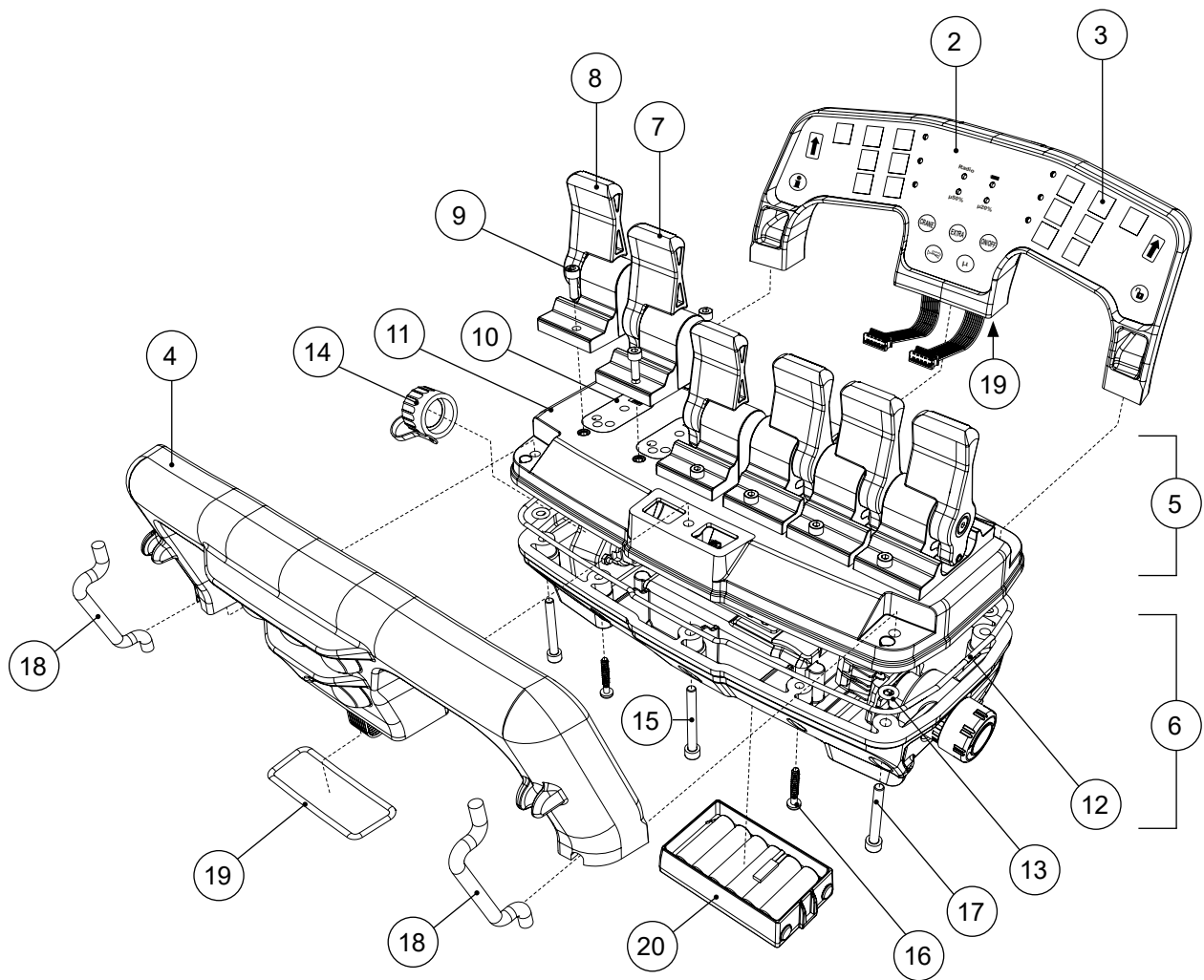


Controller Basic 6F MD2

Spare parts



Pos.	Part no.	Description	Note
1	1218B	Controller Basic 6F MD2	
2	E1235	Handle diode, Controller Basic 6F MD2	Incl. symbol sign
3	E1284	Symbol sign, Controller Basic 6F MD2	Symbol label supplied on a separate sheet
4	E1390	Handle push button, controller 6F MD2	
5	E1198	Top module, controller 6F MD2	Incl. levers
6	E1200	Bottom module, controller 6F MD2	Incl. stop button, contact chassis and cap
7	0498	Lever black	Incl. screws and gasket
8	0499	Lever red	Incl. screws and gasket
9	S2831	Screw MC6S FT M4x12	
10	E0447	Gasket 44,6x21,4x2 red	
11	E1197	Top box, controller 6F MD2	Excl. levers
12	S2920	O-ring 224x2,62	
13	S2939	O-ring 6x2	
14	S2532	Cap, controller	
15	S0238	Screw MC6S M5x45	
16	S2938	Screw TPPT T40x25	
17	S2912	Screw MC6S M5x40 A4-70	
18	E1377	Attachment carrier strap MD2	
19	S2940	O-ring 45x2	
20	1201	Battery NiMH 7.2V	