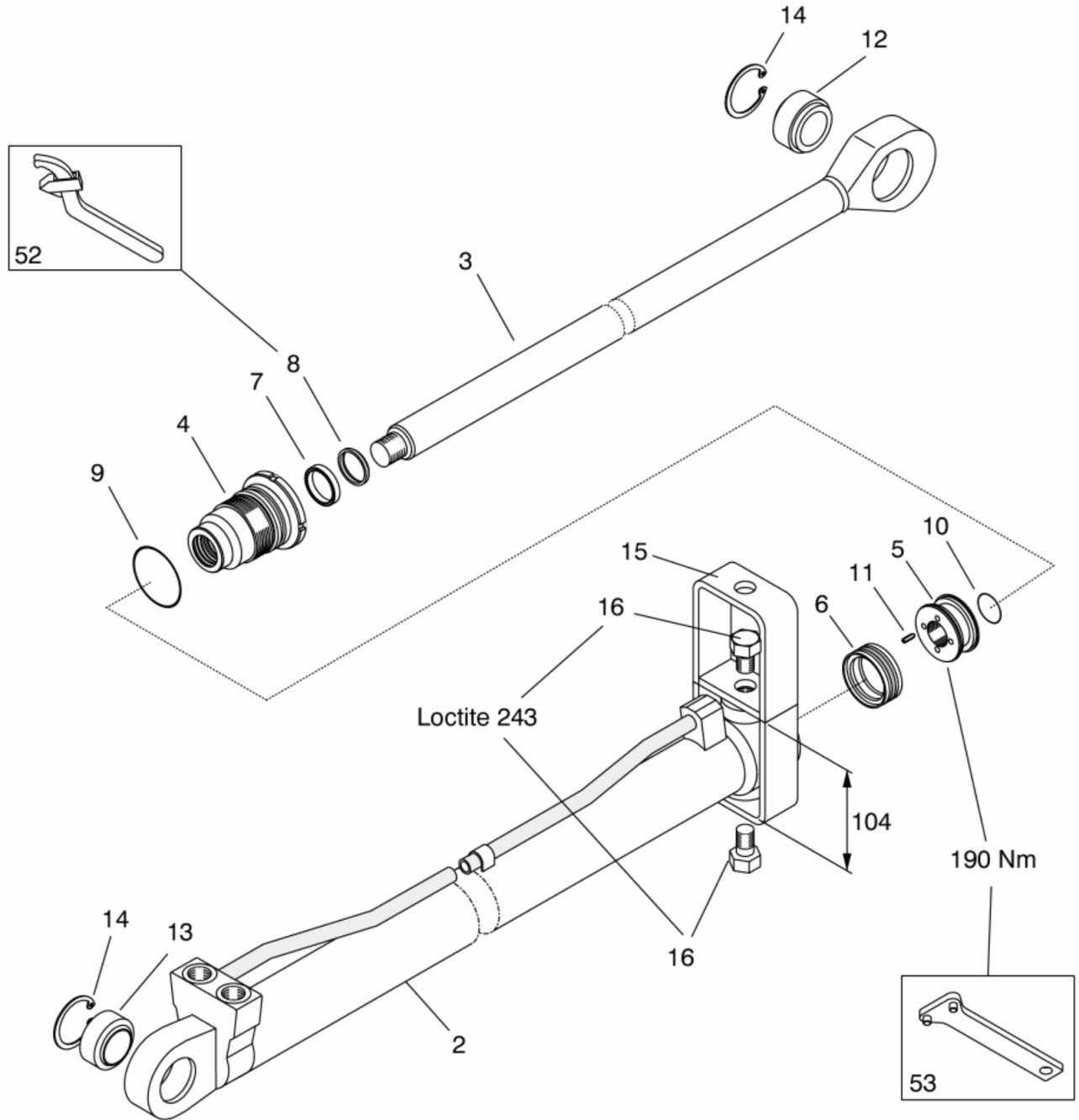


3053511 - Stabilizer extension cylinder Ø50/25-1170 / B 4820 / p=8 MPa



Pos	Part No	Description EN	Description DE	Quantity
1	94248840	Cylinder	Zylinder	0
2	94248841	Cylinder tube	Zylinderrohr	1
3	94265896	Piston rod	Kolbenstange	1
4	94258856	Cylinder cover	Zylinderdeckel	1
5	94258930	Piston	Kolben	1
6	82375050	Seal	Dichtung	1
7	82379100	Rod seal	Stieldichtung	1
8	82371103	Wiper ring	Abstreifring	1
9	82367472	O-ring 47,22x3,55	O-Ring 47,22x3,55	1
10	82369249	O-ring 24,99x3,55	O-Ring 24,99x3,55	1
11	48132354	Set screw M 8 x 12	Gewindestift M 8 x 12	1
12	94234812	Bushing	Buchse	1
13	94357528	Joint bearing	Gelenklager	1
14	54332470	Circlip 47x1,75	Sicherungsring 47x1,75	2
15	305646	Support	Stütze	1
16	41266040	Hexagon screw M 16 x 20 8.8	Sechskantschraube M 16 x 20 8.8	2
52	94263913	Spanner L=30, D=8	Schlüssel L=30, D=8	0
53	65206465	Spanner wrench 45...90	Hakenschlüssel 45...90	0
	305.351.1	Stabilizer extension cylinder 1 No 133051-, 136051-	Stützarmzylinder 1 No 133051-, 136051-	0
<b>Kit 94242876</b>		<b>Extension cylinder assy</b>	<b>Schubarmzylinder komplett</b>	
2	94248841	Cylinder tube	Zylinderrohr	1
3	94265896	Piston rod	Kolbenstange	1
4	94258856	Cylinder cover	Zylinderdeckel	1
5	94258930	Piston	Kolben	1
6	82375050	Seal	Dichtung	1
7	82379100	Rod seal	Stieldichtung	1
8	82371103	Wiper ring	Abstreifring	1
9	82367472	O-ring 47,22x3,55	O-Ring 47,22x3,55	1
10	82369249	O-ring 24,99x3,55	O-Ring 24,99x3,55	1
11	48132354	Set screw M 8 x 12	Gewindestift M 8 x 12	1
12	94234812	Bushing	Buchse	1
13	94357528	Joint bearing	Gelenklager	1
14	54332470	Circlip 47x1,75	Sicherungsring 47x1,75	2
<b>Kit 94258945</b>		<b>Seal kit</b>	<b>Dichtungssatz</b>	
6	82375050	Seal	Dichtung	1
7	82379100	Rod seal	Stieldichtung	1
8	82371103	Wiper ring	Abstreifring	1
9	82367472	O-ring 47,22x3,55	O-Ring 47,22x3,55	1
10	82369249	O-ring 24,99x3,55	O-Ring 24,99x3,55	1