




## Product information ELST 5012 PG7

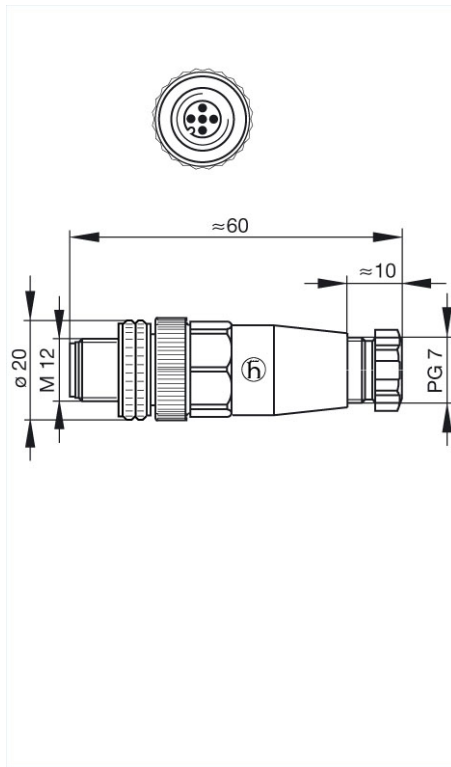
Industrial Connecting Solutions: Circular Connectors: M8 - M12 Connectors: M12 Connectors: M12 Circular connector (M12 E-Series): with screw locking: Straight cable plug, self-assembled: ELST 5012 PG7

<http://www.e-catalog.beldensolutions.com/link/57078-24228-256281-256292-256304-24445-24446-24271-36765/en/conf/ui/state>

|                                 |   |
|---------------------------------|---|
| Name                            | ELST 5012 PG7   |
|                                 |  |
|                                 | Straight cable plug, unassembled, strain relief by means of clamping cage         |
| <b>Delivery informations</b>    |   |
| Availability                    | available   |
| <b>Product description</b>      |   |
| Description                     | Straight cable plug, unassembled, strain relief by means of clamping cage         |
| Type                            | ELST 5012 PG7   |
| Order No.                       | 933 163-100   |
| Type of contact                 | male  |
| Number of contacts              | 5   |
| Cable gland                     | PG 7  |
| Standard                        | IEC 61076-2-101 (Ed. 1)/ IEC 60947-5-2  |
| Housing Color                   | black   |
| <b>Technical data</b>           |   |
| Pin dimensions                  | 1 mm  |
| Rated voltage                   | AC/DC 50 V  |
| Rated current                   | 4 A   |
| Type of termination             | screw   |
| Suitable cables                 | diameter 4 mm to 6 mm, max. 0.75 mm <sup>2</sup>                                  |
| <b>Material</b>                 |   |
| Contact material                | Cu Zn   |
| Contact surface material        | Sn  |
| Contact bearer material         | PA  |
| Housing material                | PA  |
| Coupling nut material           | Zn Al/Ni  |
| O-Ring                          | NBR   |
| <b>Environmental conditions</b> |   |
| Protection class (IEC 60529)    | IP 67   |
| Pollution severity              | 3   |
| Temperature range               | -25 °C to +90 °C  |
| <b>Inflammability class</b>     |   |
| Housing                         | 94 V-2  |
| Contact bearer                  | 94 V-2  |
| <b>Packing unit</b>             |   |
| Packaging unit                  | 100 pieces  |

Picture

Drawing



**Belden Deutschland GmbH**  
Im Gewerbepark 2  
58579 Schalksmühle  
Germany  
Phone: +49 7127/14-1806  
E-Mail: [icos-sales@belden.com](mailto:icos-sales@belden.com)

The information published in the websites has been compiled as carefully as possible. It is subject to alteration without notice in technical as well as in price-related/commercial respect. The complete information and data were available on user documentation. Mandatory information can only be obtained by a concrete query.