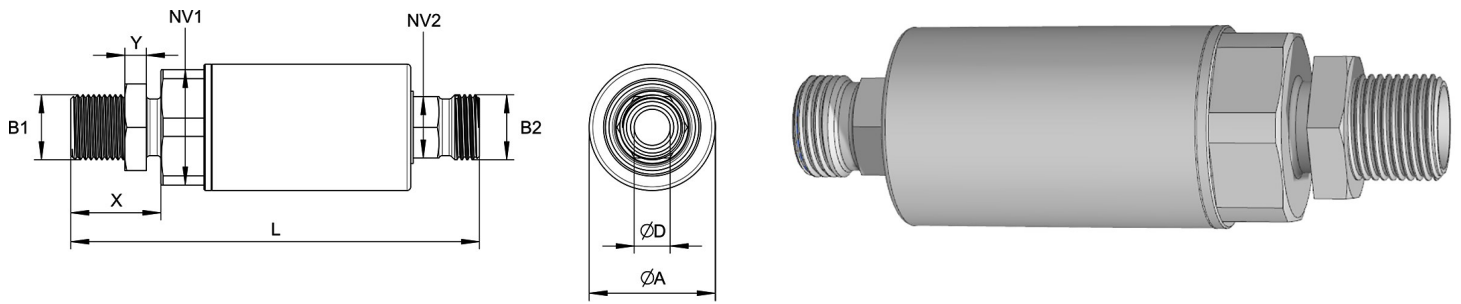


K100 M-M



MALE X MALE

Part No.	B1	B2	L	ØA	ØD	NV1	NV2	X	Y	Weight	Max work pressure	Pressure class	Seal kit
9010024	M18 x 1,5	M18 x 1,5	114 mm	35 mm	10 mm	32 mm	17 mm	25 mm	6 mm	0.5 kg	25 MPa	12 L	6003296
9010027	M24 x 1,5	M24 x 1,5	111 mm	43 mm	12 mm	24 mm	36 mm			0.73 kg	40 MPa	16S	6002516
9010028	M20 x 1,5	M20 x 1,5	99 mm	35 mm	8 mm	18 mm	32 mm			0.47 kg	45 MPa	12S	6003296
9010033	M22 x 1,5	M22 x 1,5	117 mm	37 mm	12 mm	21 mm	32 mm	30 mm	7 mm	0.51 kg	25 MPa	15L	6002515
9010040	M26 x 1,5	M26 x 1,5	134 mm	43 mm	16 mm	36 mm	24 mm	32 mm	8 mm	0.79 kg	16 MPa	18L	6002516
9010041	M36 x 2,0	M36 x 2,0	150 mm	62 mm	24 mm	36 mm	55 mm	36 mm	9 mm	1.69 kg	10 MPa	28L	6003020
9010051	M24 x 1,5	M24 x 1,5	122 mm	37 mm	12 mm	32 mm	22 mm	35 mm	7 mm	0.57 kg	40 MPa	16S	6002515
9010070	M42 x 2,0	M42 x 2,0	173 mm	70 mm	26 mm	41 mm	60 mm	51 mm	9 mm	2.43 kg	25 MPa	30S	6003021
9010142	M30 x 2,0	M30 x 2,0	145 mm	50 mm	16 mm	30 mm	46 mm	34 mm	6 mm	1.4 kg	40 MPa	20S	6009089

M = Metric

Temperature range (standard) = -30° C - +100° C

We reserve the right to make product changes. For further technical information relating to integration and hydraulic connections, please contact rotator@indexator.com