

**SPARE PARTS**

**1.1 Main parts**

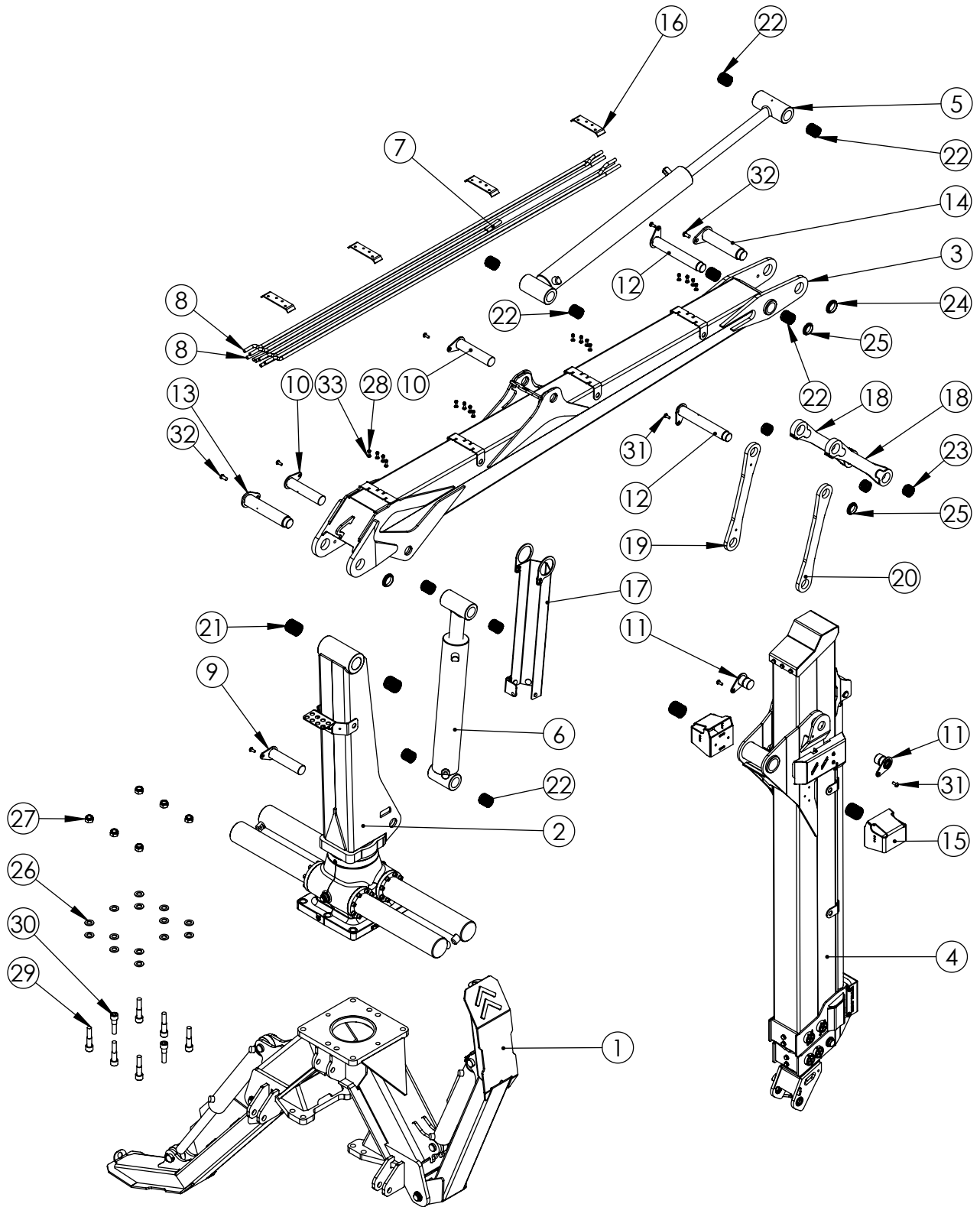


Figure 13. Spare part positions of Palms 7.86 forest crane

Pos	Code	Part name	Qty
1	FDJ.01.00.00B	Flap down FD support leg	1

2	870.02.00.00	Slewing mech and pillar	1
3	870.03.00.00B	Main boom	1
4	870.01.00.00	Extension boom	1
5	HC100-50-850	Extension boom cylinder	1
6	HC115-70-600	Lifting cylinder	1
7	870.PT1	Main boom rigid pipes 1	2
8	700.PT1	Main boom rigid pipes 2	6
9	TL-50-207-00	Shaft	1
10	TL-50-223-00	Shaft	2
11	TL-50-60-00	Shaft	2
12	TLK-50-308-00	Shaft	2
13	TLK-60-268-00	Shaft	1
14	TLK-60-238-00	Shaft	1
15	715.04.00.00D	Mounting frame for lights	2
16	870.00.00.01	Pipe clamp on main boom	4
17	870.05.00.00B	Lifting cylinder protector	1
18	870.04.00.00PB	Puller 1	2
19	870.00.00.03	Puller 2	1
20	870.00.00.03P	Puller 3	1
21	L11FB0926060	Bronze slide bearing 60-65x60 WB800	4
22	L11FB0925050	Bronze slide bearing 50-55x50 WB800	10
23	L11FB0925030	Bronze slide bearing 50-55x30 WB800	4
24	CRN_CRP	CRN-CRP nut	2
25	CRN_CRP	CRN-CRP nut	2
26	M24w	M24 washer DIN125	14
27	M24n	M24 nut DIN 985	6
28	M8n	M8 nut DIN 985	16
29	M24x110b	Inner hex head bolt M24x110 DIN 912	6
30	M24x90b	Inner hex head bolt M24x90 DIN 912	2
31	M12x25b	Inner hex head bolt M12x25 ISO 7380	7
32	M16x30b	Inner hex head bolt M16x30 ISO 7380	2
33	M8x35b.r.	M8 L35 DIN 603	16

**Table 7.** Spare part list of Palms 7.86 forest crane

## 11.2 Slewing mechanism parts

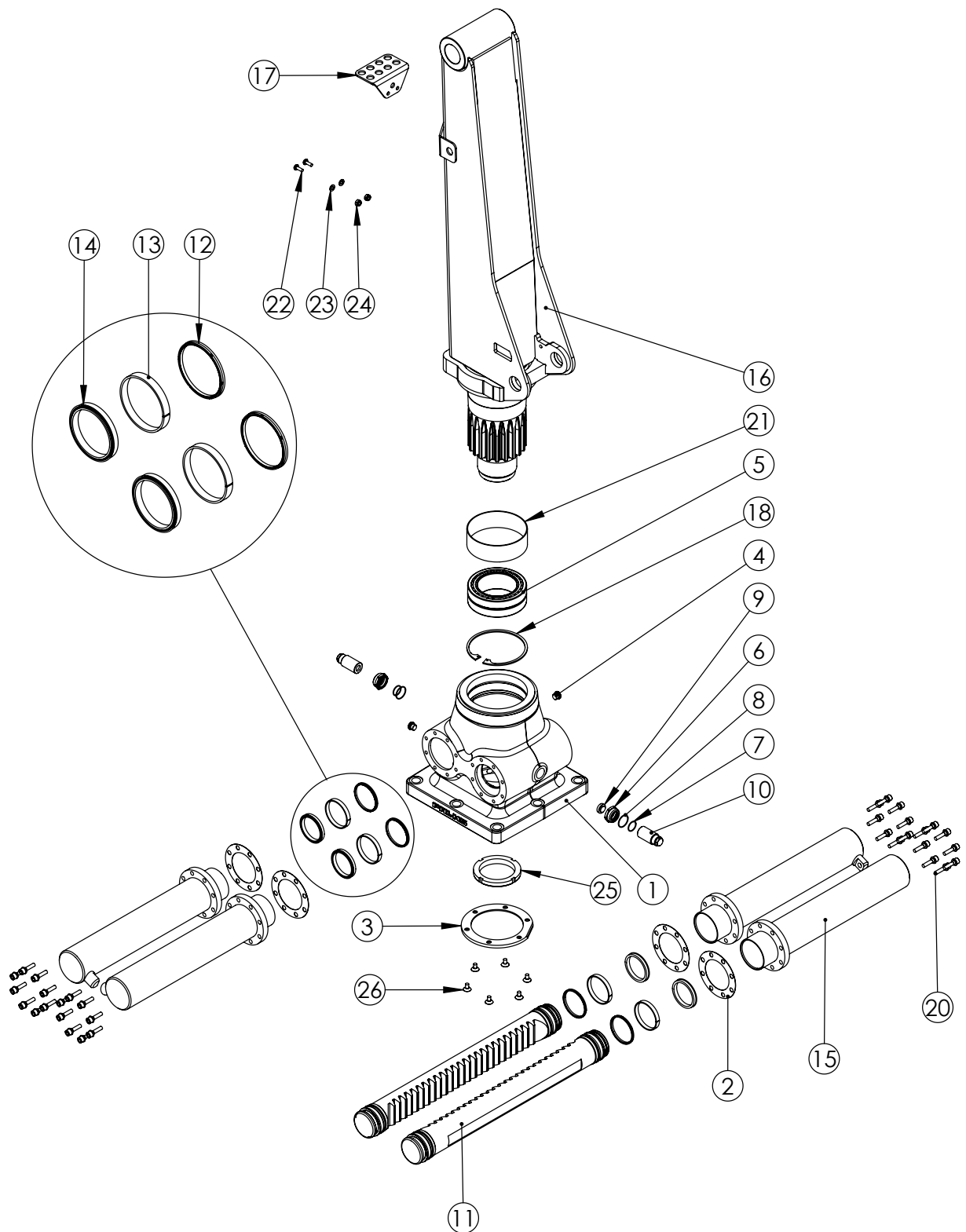


Figure 14. Palms 7.86 slewing mechanism with pillar

Pos	Code	Part name	Qty
1	870.02.00.01	Slewing housing	1
2	TIH-8-100	Seal for hollow	4
3	870.02.00.03	Slewing housing cover plate	1
4	POLAR_1077-M18	M18x1,5 bolt with washer	2
5	Laakeri 24024CC	Spherical roller bearing 24024	1
6	700.00.00.06	Stopper nut	2
7	o-ring_30-2-72	ISC O-ring 30-2 72 NBR 872 445653	2
8	o-ring_38-2-72	ISC O-ring 38-2 72 NBR 872 445653	2
9	700.00.00.08	Support bolt bronze guide	2
10	700.00.00.07	Gear rack's support bolt	2
11	870.02.00.04	Gear rack	2
12	PPW95x86.4x5.3	PPW95x86.4x5.3	4
13	95x12,8x3	Sliding ring_95x12,8x3	4
14	NA300	NA300	4
15	870.02.00.02	Hollow 95 x 528 + 60	4
16	870.02.01.00B	Pillar	1
17	700.00.00.23	Clamp for hoses	1
18	180x4c	Stopper ring $\varnothing$ 180x4.0 DIN 472	1
19	M12w	Washer M12 DIN 127 B	32
20	M12x45b.sk	Inner hex head bolt M12x45 DIN 912	32
21	180-185x60	Bronze slide bearing 180- 185x60 WL-WB800	1
22	M10x25	Inner hex head bolt M10x25 DIN 912	2
23	M10w	M10 washer DIN 125	2
24	M10n	Bolt M10x55 ISO 7380	2
25	M110x2m	M110x2 shaft nut	1
26	M12x20b.sk	Inner hex head bolt M10x25 DIN 912	6

**Table 8.** *Palms 7.86 slewing mechanism spare parts list*

### 11.3 Extension boom

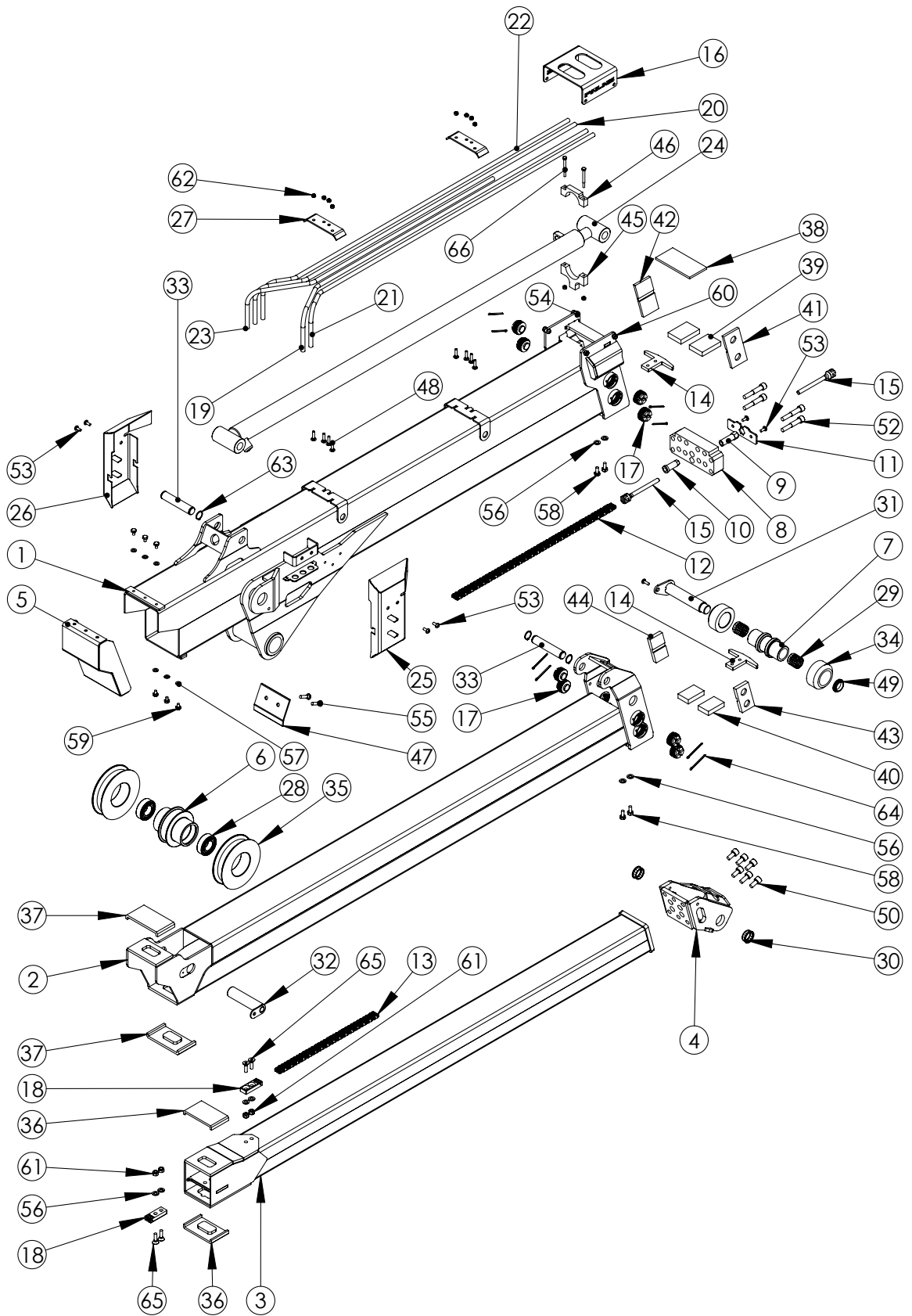


Figure 15. Forest crane Palms 7.86 extension boom

<b>Nro</b>	<b>Varaosan koodi</b>	<b>Kuvaus</b>	<b>kpl</b>
1	870.01.01.00B	Extension boom	1
2	870.01.02.00	A-telescope	1
3	870.01.03.00B	B-telescope	1
4	870.01.06.00B	Telescopic boom head	1
5	870.01.04.00	Extension boom cover plate	1
6	870.01.00.13B	Chain roller A	1
7	870.01.00.07	Chain roller B	1
8	870.01.00.02B	Hydraulic divider block	1
9	870.01.00.04	Chain fastener	1
10	870.01.00.11B	Chain fastener	1
11	870.01.00.05B	Chain fastener fixator	1
12	Kett LH1066	Chain A	1
13	Kett LH1066	Chain B	1
14	870.01.00.06	Slider plate holder	2
15	SCR172/LL1066	Straining bolt of chain	2
16	870.01.00.12B	Cover	1
17	840.00.00.LP6	Ext.boom sliding support threaded	8
18	870.01.00.14	Chain fastener	2
19	870.JT1	Ext.boom tube 1R	1
20	870.JT1P	Ext.boom tube 1L	1
21	870.JT2	Ext.boom tube 2R	1
22	870.JT2P	Ext.boom tube 2L	1
23	870.JT3	Ext.boom tube 3 centre	1
24	HC60-40-1700	Telescopic boom cylinder	1
25	870.01.05.00	Rigid tube cover right	1
26	870.01.05.00P	Rigid tube cover left	1
27	870.01.00.15	Ext.boom tube clamp	2
28	62208-2RS1	Bearing 62208-2RS1	2
29	L11FB0925050	Bronze slide bearing 50-54x50 WB800	2
30	L11FB0925050	Bronze slide bearing 50-54x50 WB800	2
31	TLK-40-179-00	Shaft	1
32	T-40-160	Shaft	1
33	LR-30-142	Shaft	2
34	870.01.00.08	A-telesc. roller upper	2

35	870.01.00.01B	Roller for hoses	2
36	870.01.00.PL2	Plastic slider	2
37	870.01.00.PL1	Plastic slider	2
38	870.01.00.PL3	Plastic slider	1
39	870.01.00.PL4	Plastic slider	2
40	870.01.00.PL5	Plastic slider	2
41	870.01.00.PL6P	Plastic slider	1
42	870.01.00.PL6	Plastic slider	1
43	870.01.00.PL7P	Plastic slider	1
44	870.01.00.PL7	Plastic slider	1
45	870.01.00.PL8	Telescopic boom cylinder support plate	1
46	870.01.00.PL9	Telescopic boom cylinder support plate	1
47	870.01.00.17	Extension boom hose clamp	1
48	M8x35b	Round head bolt M8x35 DIN 603	8
49	CRN_CRP	CRN_CRP nut	1
50	M16x30b	Inner hex head bolt M16x30 DIN 912	5
51	M16x35b	Inner hex head bolt M16x35 DIN 912	1
52	M16x90b	Inner hex head bolt M16x90 DIN 912	4
53	M16x20b	Inner hex head bolt M10x20 ISO 7380	6
54	M10x25b	Inner hex head bolt M10x25 ISO 7380	5
55	M12x45b	Inner hex head bolt M12x45 ISO 7380	2
56	M12w	M12 washer DIN 125	8
57	M10w	M10 washer DIN 125	6
58	M12x25b	Hex head bolt M12x25 DIN 912	4
59	M10x14b	Hex head bolt M10x14 DIN 912	6
60	M10n	M10 nut DIN 985	4
61	M12n	M12 nut DIN 985	4
62	M8n	M8 nut DIN 985	10
63	30x1.5cc	Circlip ø30x1.5 DIN 471	4
64	5x71p	Stopper pin 5x71 DIN 94	8
65	M12x90b	Inner hex head bolt M16x40 DIN 7991	4
66	M8x80b	Hex head bolt M8x80 DIN 931	2

**Table 9.** Palms 7.86 extension boom spare parts list