

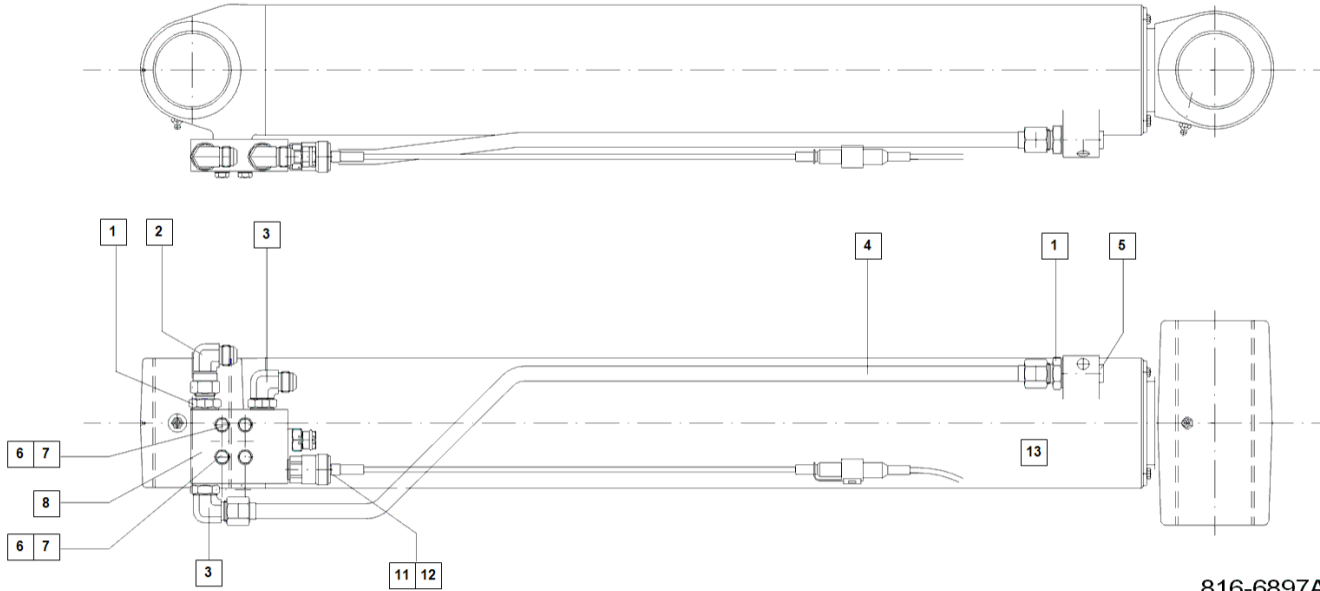
Model:102/112

Chapter 4.1 1st/Innerboom cylinders

8166897

Hydr. comp. 1st/innerboom cyl. (V50)

8166897 - Hydr. comp. 1st/innerboom cyl. (V50)			
Pos	Part No	Description	Quantity
1	9991662	STRAIGHT NIPPLE 1/2"- RD.16	2
2	9988394	ANGLE COUPLING RD.16	1
3	9985379	ANGLE COUPLING 1/2"- RD.16	2
4	8164207	HYDR.PIPE	1
5	9819622	PLUG	1
6	9924094	BOLT.M8X50-A2P	4
7	9903861	WASHER B8.4-A2P	4
8	8143498	PILOTVALVE	1
11	3602800	PRESSURE SENSOR CPL.	1
12	9939342	SEALING WASHER 17.2	1
13	8144401	HYDRAULIC CYLINDER	1

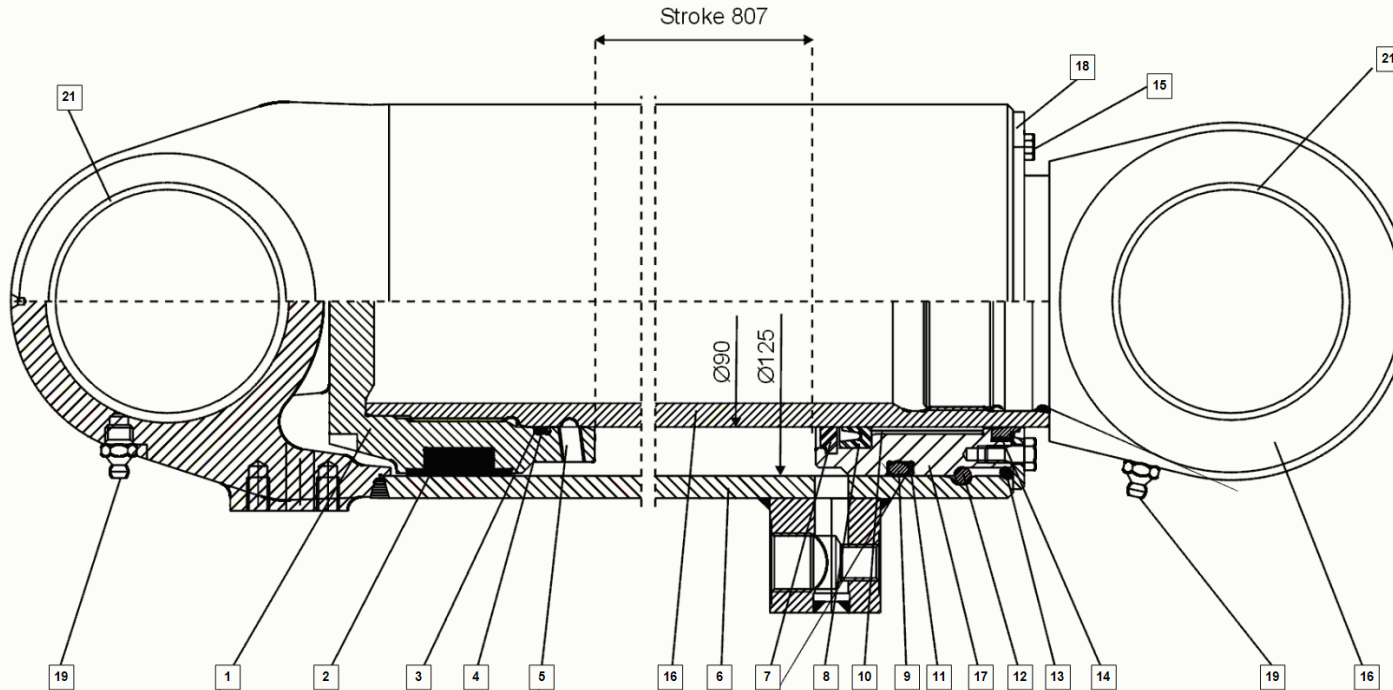


816-6897A
HYDR. COMPONENTS 1st/INNERBOOM CYLINDER

Model:102/112
Chapter 4.1 Hydr. comp. 1st/innerboom cyl. (V50)

8144401
1st/innerboom cylinder 125/90-807

8144401 - 1st/innerboom cylinder 125/90-807



Tightening torque 600 Nm

Tightening torque 8 Nm
 Lock with LOCTITE 243

Note:

For cranes **up to** serialnumber **1547** (except **1540**), and the series **1660-1680**, crane **1706** and series **1716-1722** the piston rods and pistons are locked with lockwire. For those serialnumbers together with a (new, threaded) pistonrod you must also order a (new) piston.

814-4401

Pos	Part No	Description	Quantity
1	4482573	PISTON	1
5	9901761	SCREW	1
6	8490422	CYLINDER TUBE	1
7	3493296	RETAINING RING	1
9	9804111	BUSHING	2
12	6205135	RETAINING RING	1
15	9923918	SCREW	4
16	4482719	PISTON ROD	1
17	3558321	CYLINDER HEAD	1
18	3558371	COVER	1
19	9906185	GREASE NIPPLE	2
20	6050123	SIGN	1
21	9814311	BUSHING	4
1A	3559289	PISTON (old!)	1
Kit 3301303 PACKING SET:			
2	9804196	SEAL	1
3	9938834	SUPPORT RING	1
4	9933476	O-RING	1
8	9804137	SEAL RING	1
10	9933638	O-RING	1
11	9936904	SUPPORT RING	1
13	9934022	O-RING	1
14	9808531	SCRAPER	1

Model:102/112
Chapter 4.1 Hydr. comp. 1st/innerboom cyl. (V50)

8143498
Pilot valve

8143498 - Pilot valve			
Pos	Part No	Description	Quantity
1	4461436	PACKING SET	1
2	9844899	O-RING	1

814-3498B