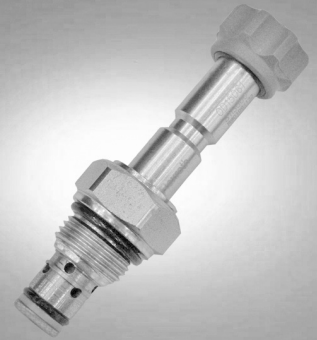


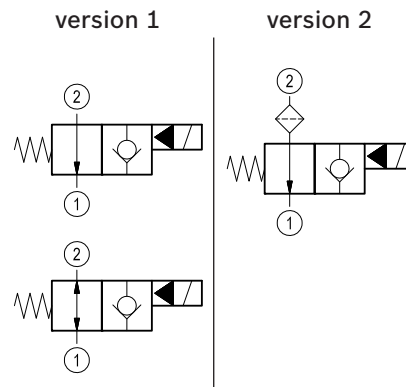
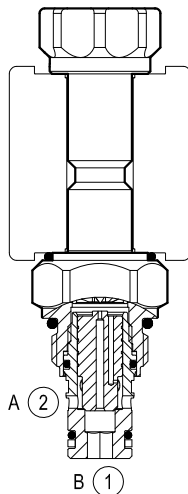
Solenoid operated valves pilot operated poppet type 2-way normally open

Common cavity, Size 08



VEI-8I-06-NA

OD-15 - X - 18 - Y - S0



General

Weight	kg (lbs)	0.11 (0.24)
Installation orientation		Optional
Ambient temperature range	°C (°F)	-30 to 60 (-22 to 140)

Hydraulic

Max. operating pressure	bar (psi)	350 (5000)
Max. proof pressure	bar (psi)	420 (6000)
Flow range	l/min. (gpm)	0.5-30 (0.1-8)
Fatigue cycle life	cycles	1 million cycles at 350 bar
Max. internal leakage	drops/min.	20
Fluid temperature range	°C (°F)	-20 to 80 (-4 to 176)
Fluids		Mineral-based or synthetics with lubricating properties at viscosities of 20 to 380 mm ² /s (cSt)
Installation torque	Nm (ft-lbs)	39-51 (29-38)
Filtration		Nominal value max. 10µm (NAS 8) ISO 4406 19/17/14
MTTFd		150 years see RE 18350-51
Cavity		CA-08A-2N see RE 18325-75
Seal kit	code material no.	RG08A2010520100 R901101437
Seal kit coil	code material no.	RG1211PNBR7010 R934003957
Other technical data		See data sheet RE 18350-50

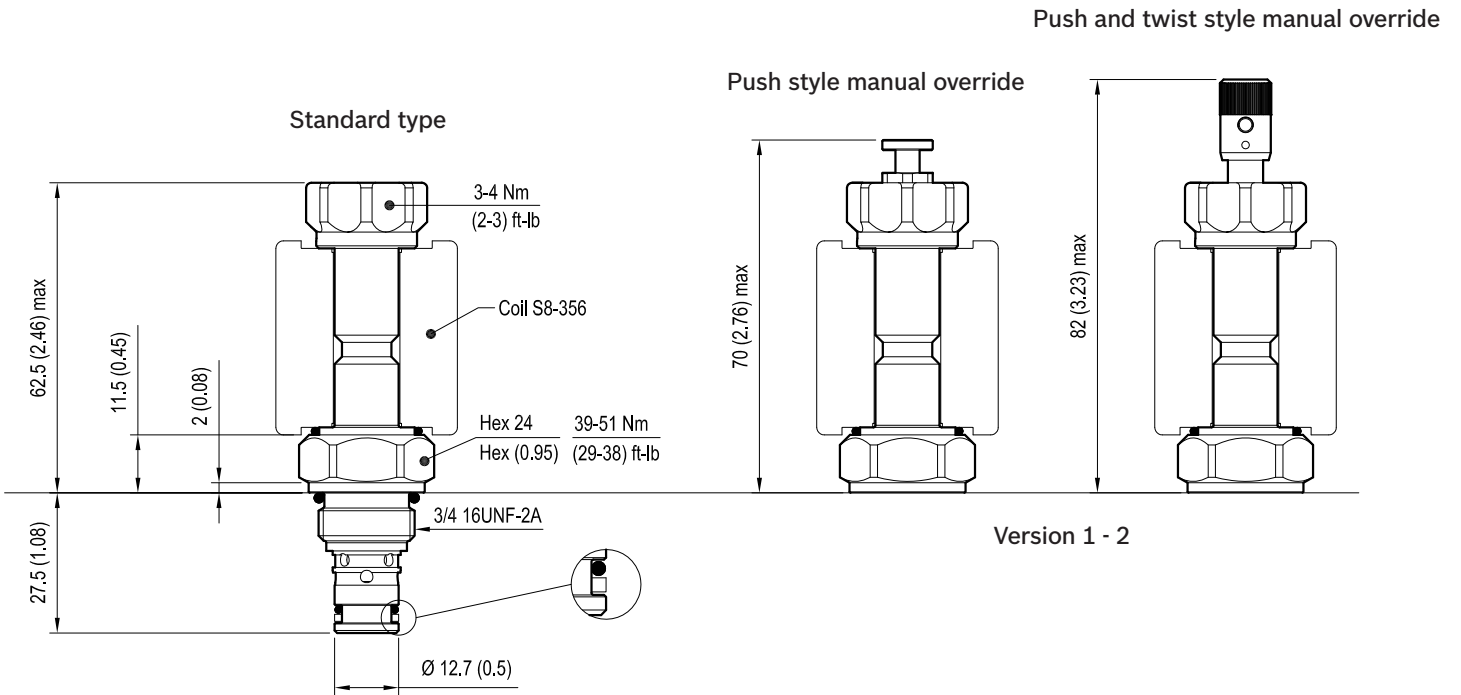
Electrical

Type of voltage		DC voltage
Coil type		S8-356 see RE 18325-90
Supply voltage		See data sheet RE 18325-90
Nominal voltage		± 10%
Power consumption	W	20
Duty cycle coil	%	See performance graphs
Type of protection		See data sheet RE 18325-90

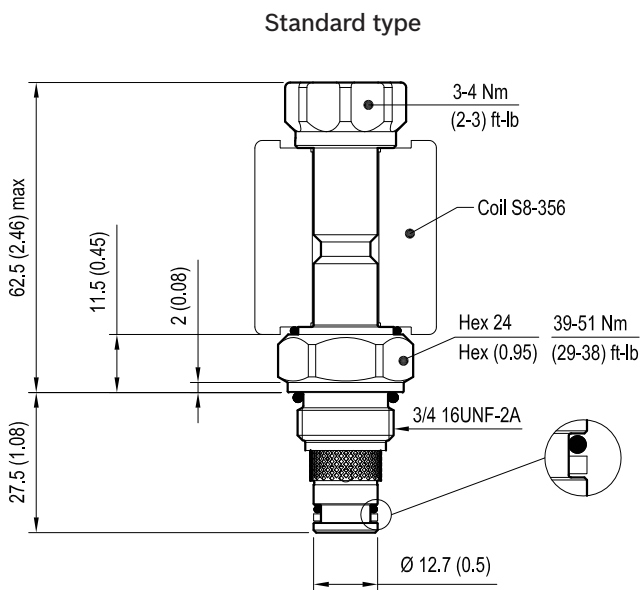
Note: Coils must be ordered separately.

Dimensions

Version 1: Solenoid operated valve, poppet 2-way normally open



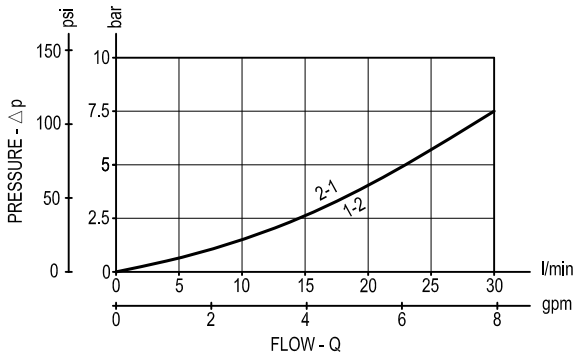
Version 2 : Solenoid operated valve, poppet 2-way normally open - filter



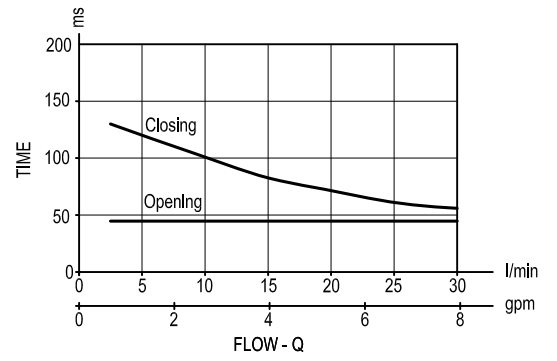
mm (Inches)

Performance graphs

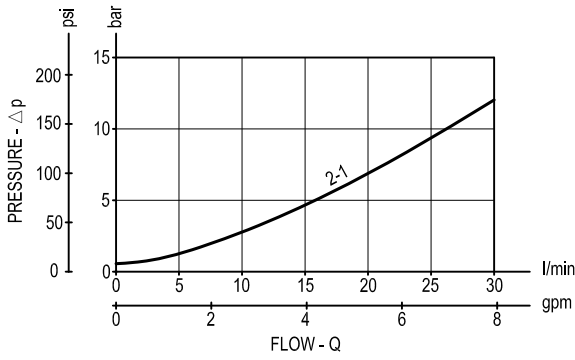
Version 1



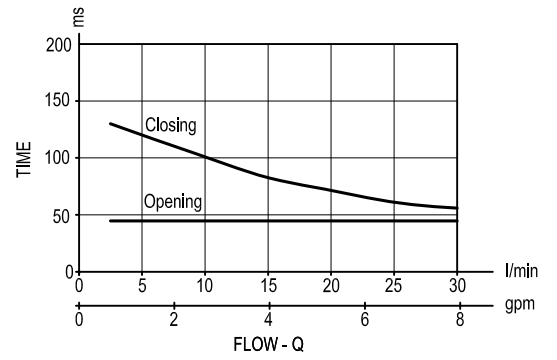
Standard



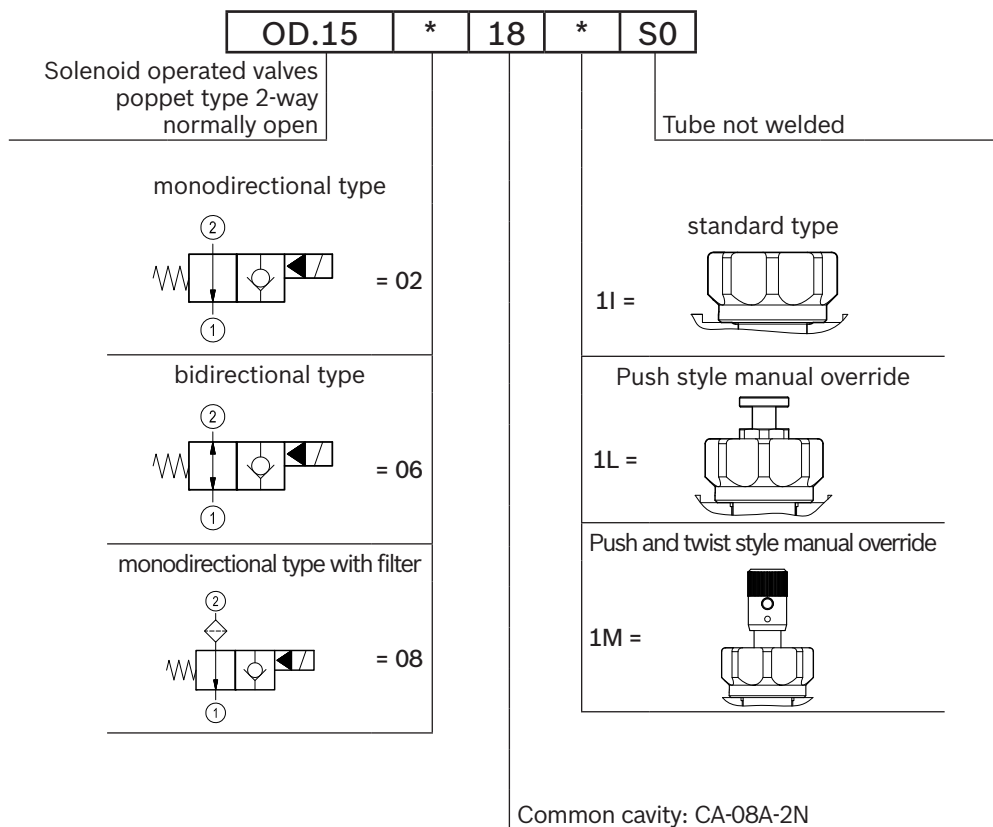
Version 2



Standard



Ordering code



Type	Material number
OD1502181IS000	R901091107
OD1502181LS000	R901091108
OD1502181MS000	R901094588
OD1506181IS000	R901091133
OD1506181LS000	R901091134
OD1506181MS000	R901091135
OD1508181IS000	R901091146
OD1508181LS000	R901091148
OD1508181MS000	R901091149

Type	Material number