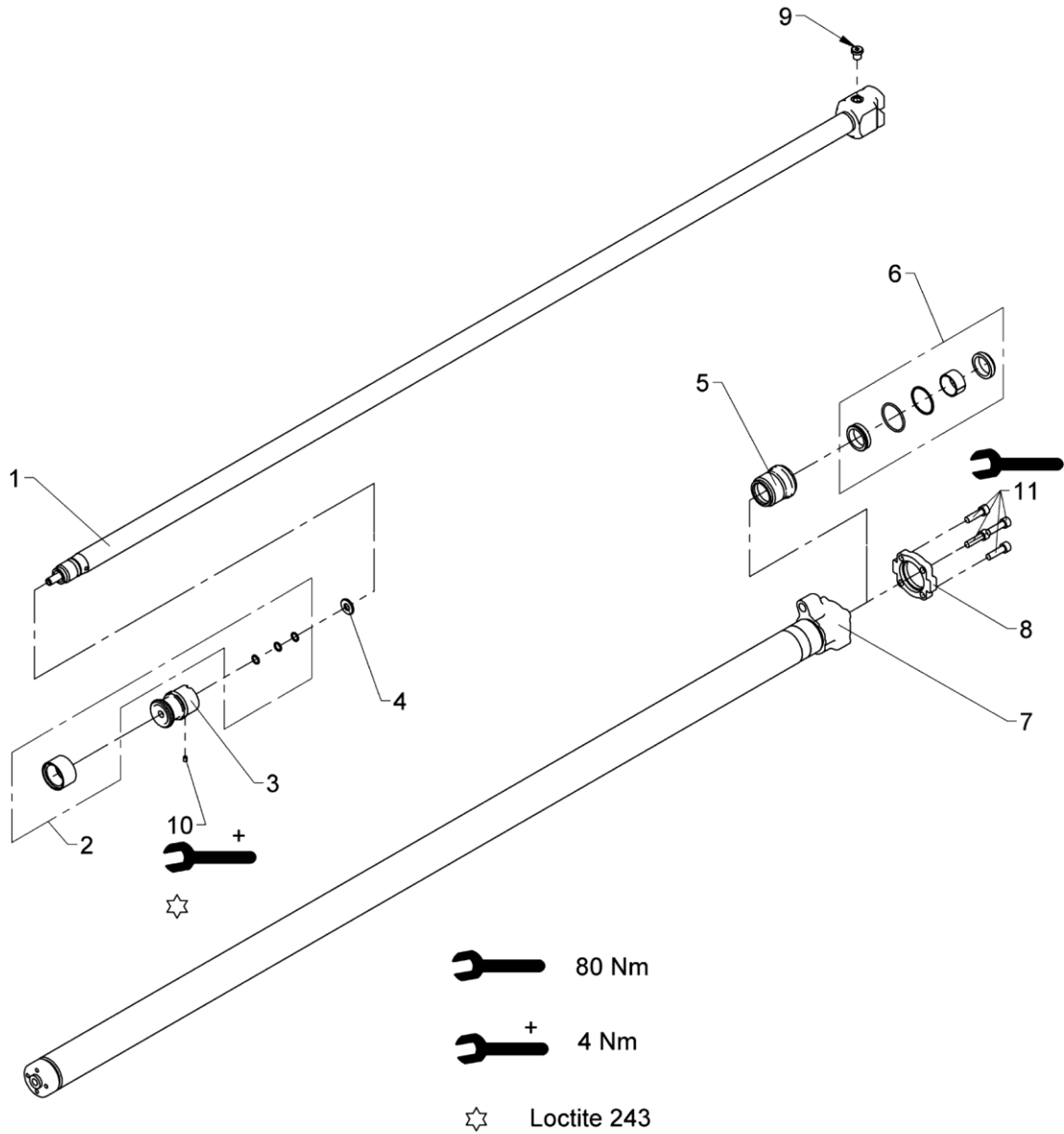




557 03 300

810K-MC, 810K-MCS, 810K-RC, 910K-RCS

Internal ref. 6367340



557 03 300

From loader 1340001

To loader

Extension cylinder I/II (C50/35 x 1725h.)

Created 11-09-2015

Modified 23-09-2015

Pos	Qty.	Part no.	Description	Remarks
1	1	6367344	Piston rod C50-1855	
2	1	6894230	Seal kit for piston	
3	1	6348273	Piston	
4	1	6348294	Ring	
5	1	6348271	Guide	
6	1	6894210	Seal kit for guide	
7	1	6367341	Cylinder tube C1+2	
8	1	6348249	Mounting flange	
9	1	25197	Plug	VS-R-1/4 WD
10	1	30903	Screw	MSP6 x 8
11	4	30497	Sockethead screw	MC10 x 35