

IMPORTANT INFORMATION CONCERNING 115 VOLT A.C. AND 230 VOLT A.C. 50 OR 60 CYCLE (Hz) RECTIFIED SOLENOID COILS.

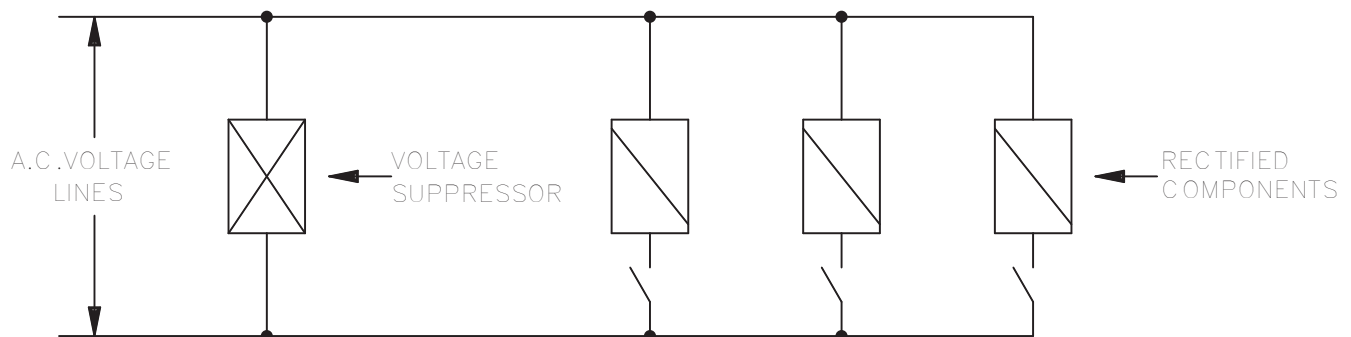
The Type "L" A.C. Solenoids have a full-wave bridge rectifier molded into the solenoid coil assembly. Types "S" & "H" A.C. coils do not have a molded in rectifier. Instead, an internally rectified DIN 43650 connector is available; use part number 20828.

Silicon rectifiers offer important advantages with regards to size, efficiency and performance. Silicon rectifiers require protection from high voltage surges in some electrical circuits containing highly inductive or capacitive components including certain types of motors, solenoids, relays and transformers.

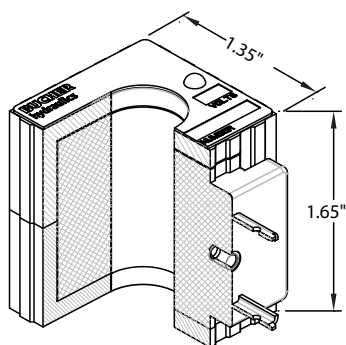
Protection is simple and inexpensive. Protection consists of installing a commercially available voltage surge suppressor across the A.C. lines supplying the rectified components.

The wiring diagram below illustrates the typical method. Note that single suppressor will normally protect all the rectified components in the circuit. However, when protection is required, we recommend General Electric Varistor: V150LA10A or Siemens: S10R150 or equivalent for 115 volt A.C. or General Electric Varistor: V250LA40A or Siemens: S20R250 or equivalent for 230 volt A.C.

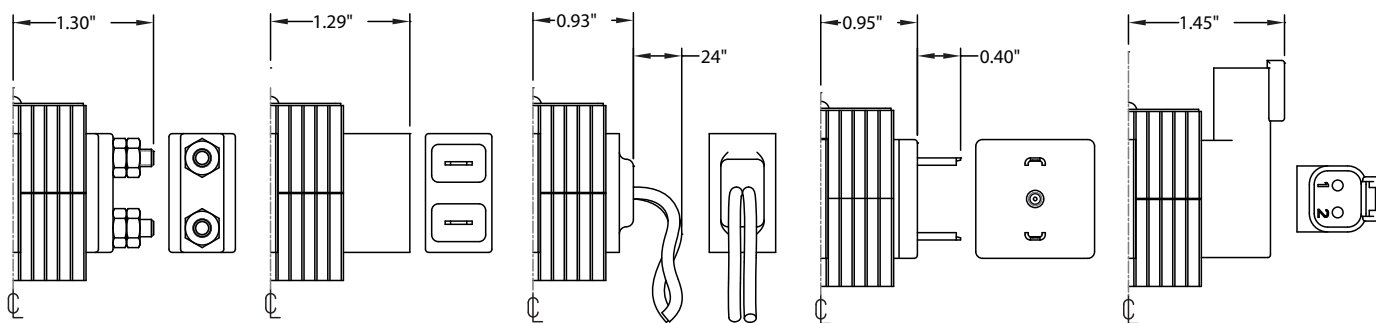
AC Induction specifications do not apply to DC
rectified coils.



SOLENOID COILS TYPES "S" & "H"



- DIN & DEUTSCH TYPE CONNECTOR MEETS IP69K STANDARD
- FULLY ENCAPSULATED COIL
- STABLE OPERATING TEMPERATURE
- EXTERIOR HOUSING PROTECTS COIL AGAINST DAMAGE
- TYPE "S" 22 WATTS NOMINAL
- TYPE "H" 28 WATTS NOMINAL
- SEE CATALOG PAGE 10-001.0 FOR AC COIL INFORMATION
- FOR DOUBLE COIL KIT, ORDER 60190-XXXX



B

T

L

G

D

#8-32 Bolt Terminals 1/4" Spade Terminals 18 Ga. 24" Long Leads ISO 4400/Din 43650 Deutsch DT04-2P Connector Mating Connector Deutsch - DT06-2S

TYPE S SOLENOID COIL ASSEMBLY PART NUMBERS

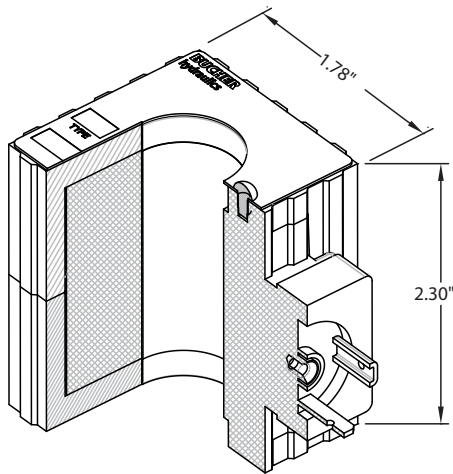
VOLTAGE	" B " BOLTS	" T " SPADES	" L " LEADS	" G " DIN 43650	" W " WEATHER-PACK	" D " DEUTSCH DT04-2P	" M " METRI-PACK
12DC	60186-12DB	60186-12DT	60186-12DL	60186-12DG	60186-12DW	60186-12DD	60186-12DM
24DC	60186-24DB	60186-24DT	60186-24DL	60186-24DG	60186-24DW	60186-24DD	60186-24DM
36DC		60186-36DT	60186-36DL	60186-36DG			
48DC		60186-48DT	60186-48DL	60186-48DG			
115DC				60186-115DG			
230DC				60186-230DG			

TYPE H SOLENOID COIL ASSEMBLY PART NUMBERS

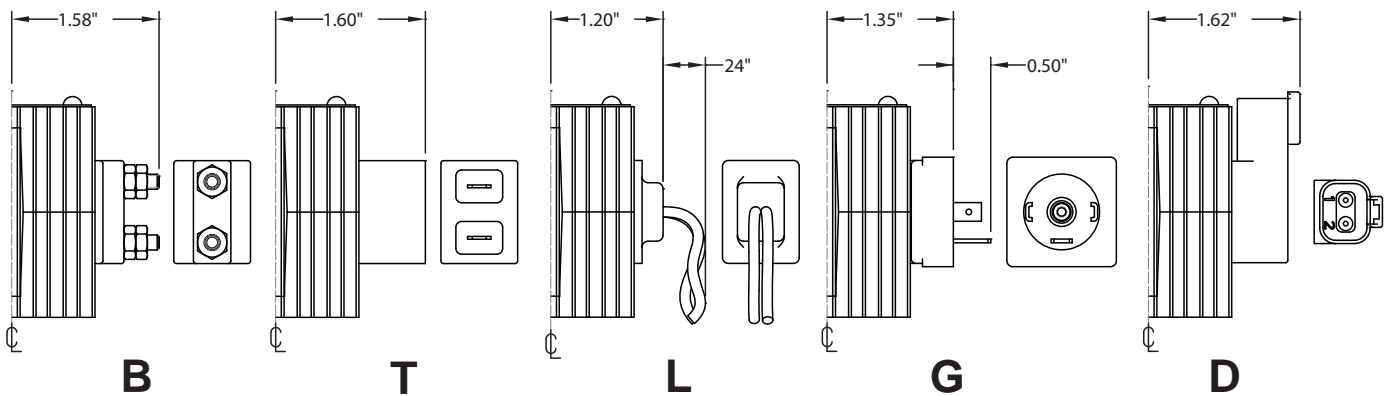
VOLTAGE	" B " BOLTS	" T " SPADES	" L " LEADS	" G " DIN 43650	" W " WEATHER-PACK	" D " DEUTSCH DT04-2P	" M " METRI-PACK
12DC		60186-12DTH	60186-12DLH	60186-12DGH			
24DC		60186-24DTH	60186-24DLH	60186-24DGH			

For diodes and other configurations - Consult Factory

SOLENOID COILS TYPE "L"



- DIN & DEUTSCH TYPE CONNECTOR MEETS IP69K STANDARD
- FULLY ENCAPSULATED COIL
- STABLE OPERATING TEMPERATURE
- EXTERIOR HOUSING PROTECTS COIL AGAINST DAMAGE
- CONTINUOUS DUTY OPERATION
- 36 WATTS NOMINAL
- SEE CATALOG PAGE 10-001.0 FOR AC COIL INFORMATION



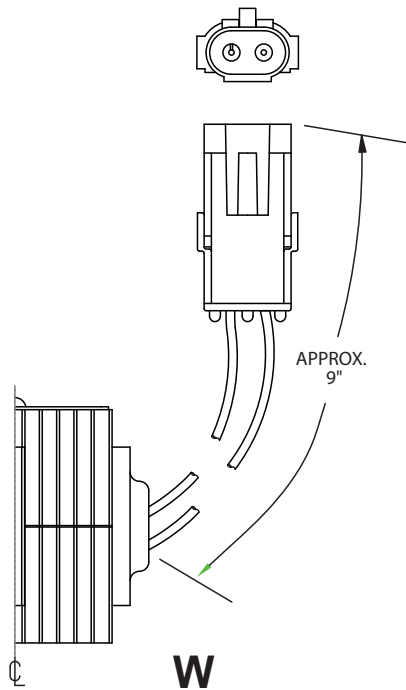
#8-32 Bolt Terminals 1/4" Spade Terminals 18 Ga. 24" Long Leads ISO 4400/Din 43650 Deutsch DT04-2P Connector

Mating Connector
Deutsch - DT06-2S

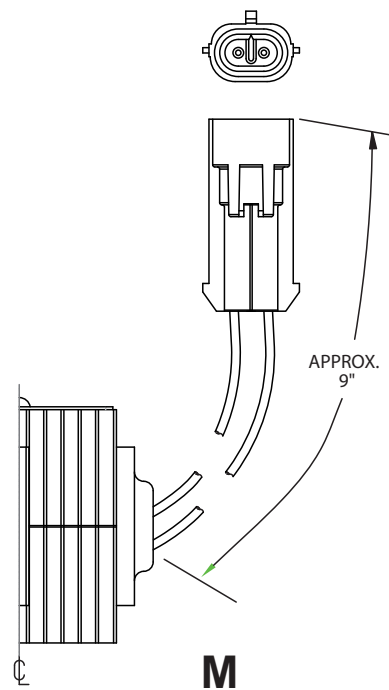
TYPE L SOLENOID COIL ASSEMBLY PART NUMBERS

VOLTAGE	" B " BOLTS	" T " SPADES	" L " LEADS	" G " DIN 43650	" W " WEATHER-PACK	" D " DEUTSCH DT04-2P	" M " METRI-PACK
12DC	60191-12DB	60191-12DT	60191-12DL	60191-12DG	60191-12DW	60191-12DD	60191-12DM
24DC	60191-24DB	60191-24DT	60191-24DL	60191-24DG	60191-24DW	60191-24DD	60191-24DM
36DC	60191-36DB	60191-36DT	60191-36DL	60191-36DG			
48DC	60191-48DB	60191-48DT	60191-48DL	60191-48DG			
110DC				60191-110DG			
115AC				60191-115AG			
230AC				60191-230AG			

For diodes and other configurations - Consult Factory

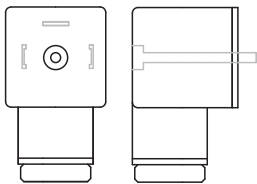


W
Weather-Pack Connector
Mating Connector
Delphi - 12015792



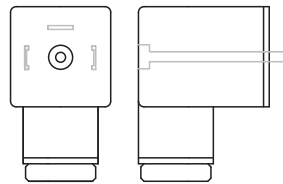
M
Metri-Pack 150 Connector
Mating Connector
Delphi - 12052641
Works with AMP Superseal 1.5 : "S"

SOLENOID ACCESSORIES



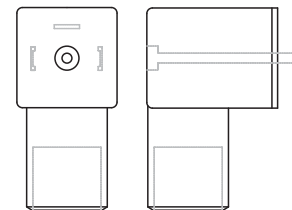
Standard DIN

PART# 20956
For ISO 4400/Din 43650
(PG9 CABLE GLAND)



Rectified DIN

PART# 20828
For ISO 4400/Din 43650
(PG9 CABLE GLAND)



1/2" Conduit Connector

PART# 21048- STANDARD
PART# 21049- RECTIFIED
For ISO 4400/Din 43650