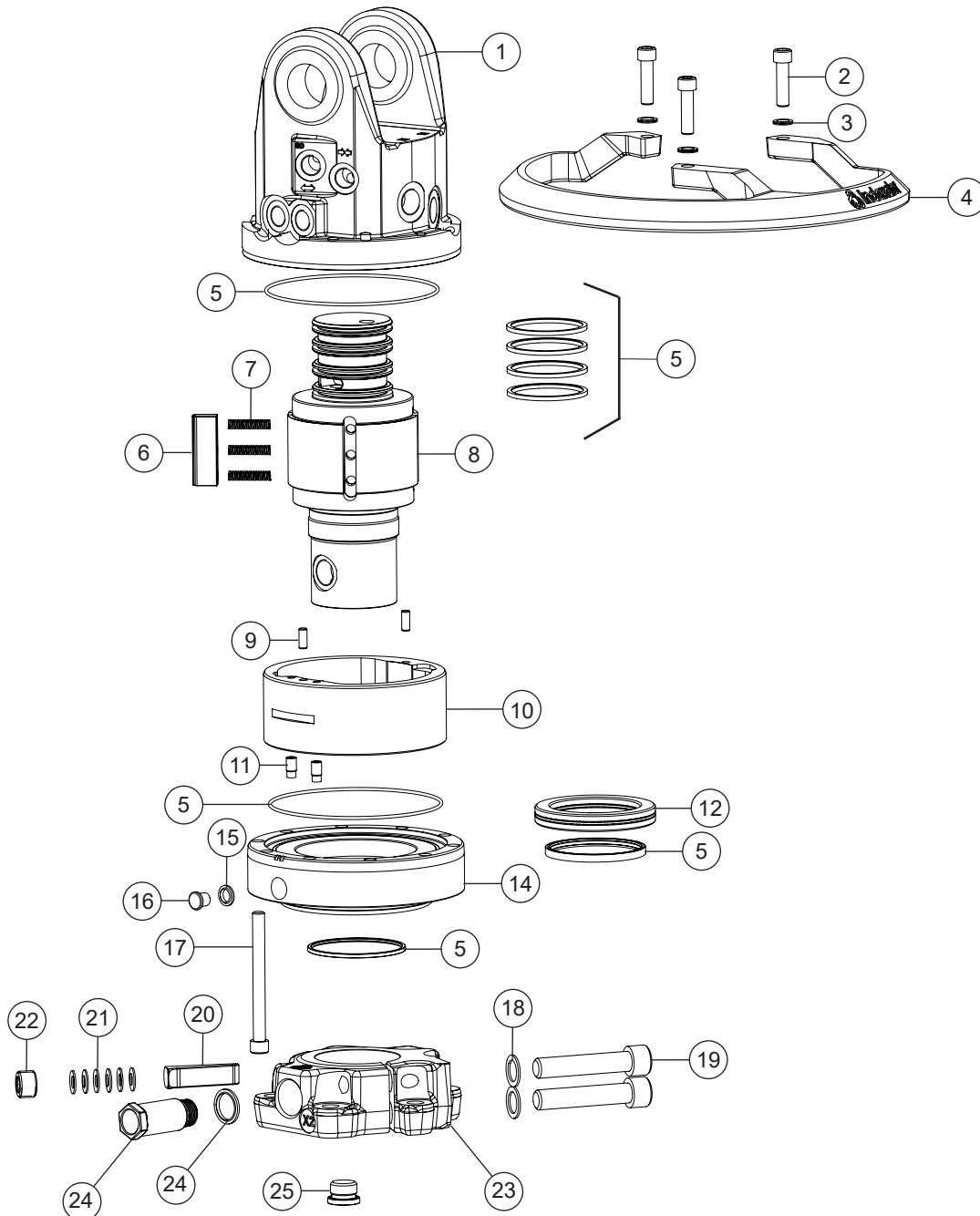


# SPARE PARTS

Part no. **5112127 GV 124S**

Version. 2024-09-02

Valid from s/n



Please note: Exploded view is illustrative and not model specific. Drawing design of parts might vary compared to actual product.



Indexator Rotator Systems AB  
Box 11, S-922 21 Vindeln, Sweden  
Tel +46 933 148 00, E-mail: [rotator@indexator.com](mailto:rotator@indexator.com)  
[www.indexator.com](http://www.indexator.com)

# SPARE PARTS

Part no. **5112127 GV 124S**

Version. 2024-09-02

Valid from s/n

Fig	Part no	Qty	Description	Notes	Torque
	<b>5112127</b>		<b>GV 124S</b>		
1	5112138R	1	Stator, upper	Incl pos 25	
2	1014950	3	Screw	M12x45	
3	1015304	3	Washer		
4	5112136R	1	Hose guard		
<b>5</b>	<b>5212129</b>	<b>1</b>	<b>Seal kit</b>	<b>GV124/124S</b>	
6	5011160	4	Vane		
7	5006030	12	Spring		
8	6010945R	1	Rotator shaft		
9	1019900	2	Pin	8x20	
10	5112023R	1	Stator frame		
11	5011106	2	Restrictor		
<b>12</b>	<b>5112022</b>	<b>1</b>	<b>Axial bearing set</b>		
14	5212020R	1	Stator lower	Incl pos 15, 16	
15	1019116	1	Bonded seal	G1/4	
16	1025709	1	Magnetic plug	G1/4	20 Nm
17	1002120	10	Screw	M12x130	120 Nm
18	1019496	2	Washer		
19	1019488	2	Screw	M20x100	600 Nm
20	5010038	1	Wedge		
21	1015643	6	Cup spring		
22	5010039	1	Locking screw	G3/4	120 Nm
23	6006989R	1	Lower link	S/N 0902837-	
	5011022R	1	Lower link	S/N -0902836	
24	5010065	1	Adapter set	G3/4	
25	5001385	7	Plug	ED G3/4	120 Nm

# SPARE PARTS

Part no. **5112127 GV 124S**

Version. 2024-09-02

Valid from s/n

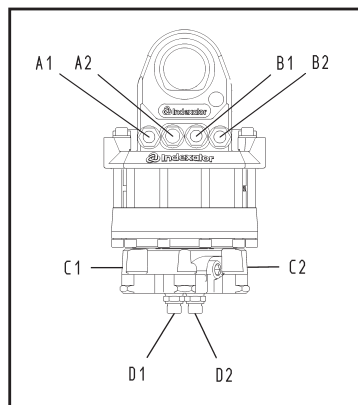
RADIAL		AXIAL	
Part no	Description	Part no	Description
5112028	ADAPTER SET GV124 G1/2XG3/4		
5112029	ADAPTER SET GV124 UNF3/4		
5112030	ADAPTER SET GV124 7/8x1 1/16		
5112031	ADAPTER SET GV124 7/8x1 1/16		
5112032	ADAPTER SET GV124 M24		

## RADIAL ADAPTER SET

A1 Rotator, right  
A2 Rotator, left

B1 Grapple, open  
B2 Grapple, close

C1 Grapple, open, radial  
C2 Grapple, close, radial



## AXIAL ADAPTER SET

A1 Rotator, right  
A2 Rotator, left

B1 Grapple, open  
B2 Grapple, close

D1 Grapple, open, axial  
D2 Grapple, close, axial