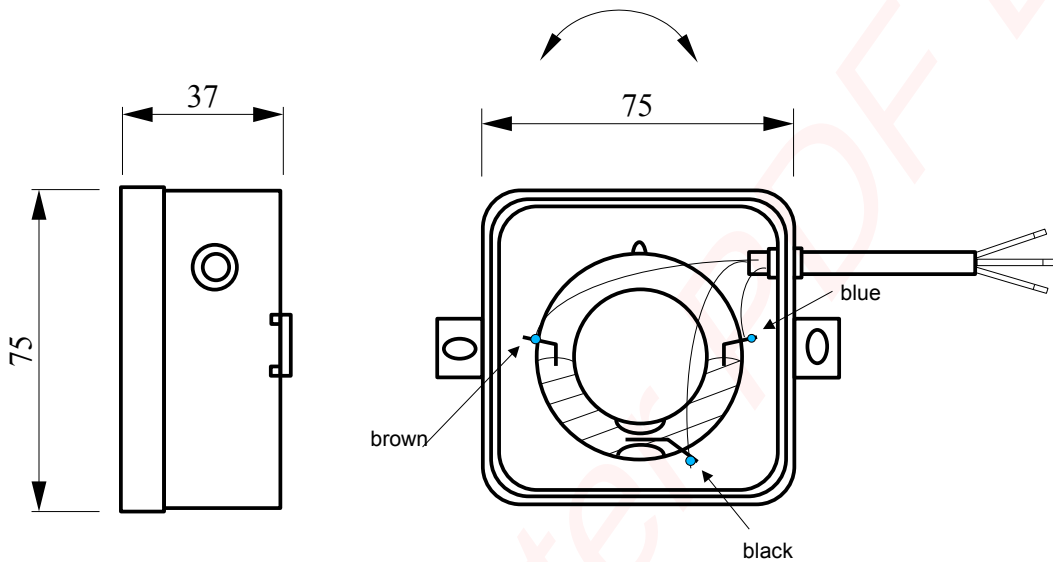

Datasheet tilt switch code no. 60-0221-30
„BREAK“ $\pm 10^\circ$



switching current:	2 A max.
operating current:	2 A max.
switching voltage:	6 - 230V
switching capacity:	max. 200W
switching angle:	„break“ $\pm 10^\circ$ blue lead – left side brown lead – right side
switching tolerance:	$\pm 0,5^\circ$
connecting wire:	PVC, 3 x 0,75mm ² , length 3m
housing:	Polyethylen, IP 65, 400 V, 75 x 75 x 37mm
casting:	epoxy
working temperature:	-35.....+80° C
