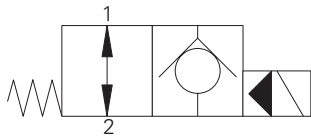


# SV3-16-O - Solenoid valve

Poppet type, 2-way, 2-position, bi-directional, normally open  
 132 L/min (35 USgpm) • 210 bar (3000 psi)

A



## Operation

In the de-energized position the valve allows free flow in both directions.

When the solenoid is energized the pilot poppet closes the orifice and the valve closes blocking flow from port 2 to 1 while allowing free flow from port 1 to 2.

## Performance data

### Ratings and specifications

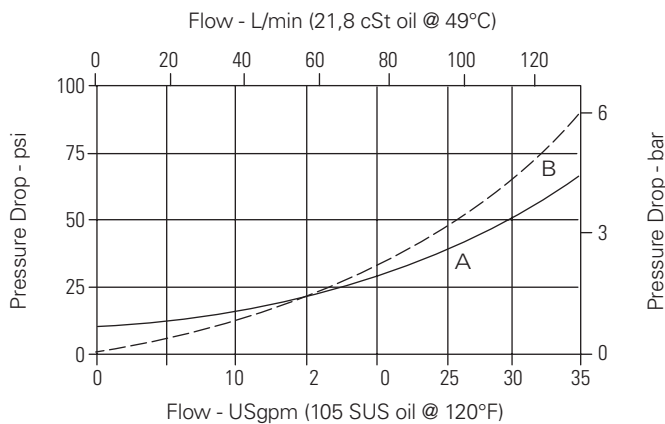
Performance data is typical with fluid at 21,8 cSt (105 SUS) and 49° C (120° F)

Typical application pressure (all ports)	210 bar (3000 psi)
Rated flow	132 L/min (35 USgpm)
Internal leakage, port 2 to port 1	less than 5 drops/min, max @ 210 bar (3000 psi)
Temperature range	-40° to 120°C (-40° to 248°F)
Cavity	C-16-2
Weight including coil	0,9 kg (1.98 lbs)
Fluids	All general purpose hydraulic fluids such as: MIL-H-5606, SAE 10, SAE 20 etc.
Filtration	Cleanliness code 18/16/13
Seal kit	565810 (Buna-N), 889609 (Viton®)

Viton is a registered trademark of E.I. DuPont

## Pressure drop

Cartridge only



**A** - Port 1 to port 2 energized

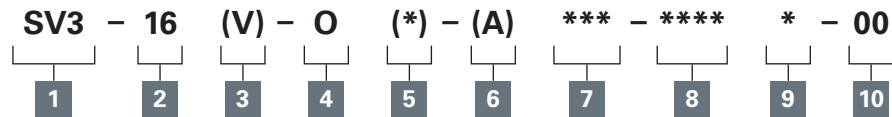
**B** - Port 2 to port 1 de-energized

Where measurements are critical request certified drawings. We reserve the right to change specifications without notice.

# SV3-16-O/OP/OS - Solenoid valve

Poppet type, 2-way, 2-position, bi-directional, normally open  
132 L/min (35 USgpm) • 210 bar (3000 psi)

## Model code



A

### 1 Function

**SV3** - Solenoid valve

### 2 Size

**16** - 16 size

### 3 Seal material

**Blank** - Buna-N

**V** - Viton®

### 4 Style

**O** - Normally open

### 5 Manual override option

**Blank** - No manual override

**P** - Push type

**S** - Screw type

For valve dimensions with manual override option installed see page A-980.

### 6 Valve housing material

Omit for cartridge only

**A** - Aluminum

### 7 Port size

Code	Port size	Housing number
<b>0</b>	Cartridge only	
<b>6B</b>	3/4" BSPP	02-175463*
<b>12T</b>	SAE 12	566149*
<b>6G</b>	3/4" BSPP	876718
<b>10H</b>	SAE 10	876717
<b>12H</b>	SAE 12	566113

\*Light duty housing  
See section J for housings.

### 8 Voltage rating

**00** - No coil

**12D** - 12VDC

**24D** - 24VDC

**115A** - 115VAC

**230A** - 230VAC

**12B** - 12VDC/w diode\*

**24B** - 24VDC/w diode\*

\*Optional arc suppression diode.

### 9 Connector types

**Blank** - No coil

**G** - ISO 4400 DIN 43650

**W** - Flying lead

**N** - Deutsch (DC only)

**Y** - Amp JR (DC only)

**D** - Metripack 150 male (DC only)

**J** - Metripack 280 male (DC only)

**E** - Weather-Pack female

**F** - Weather-Pack male

For coil dimensions see section C.

### 10 Special features

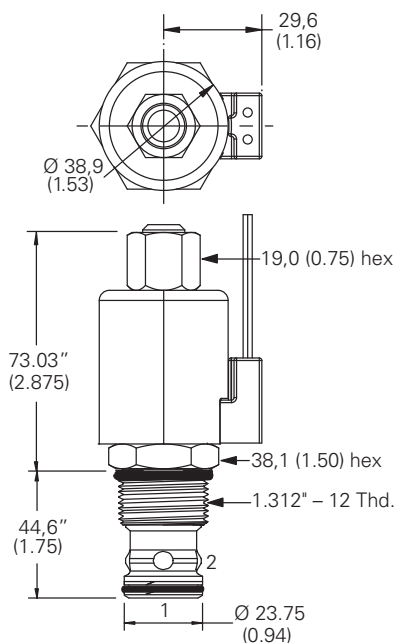
**00** - None

(Only required if valve has special features, omitted if "00.")

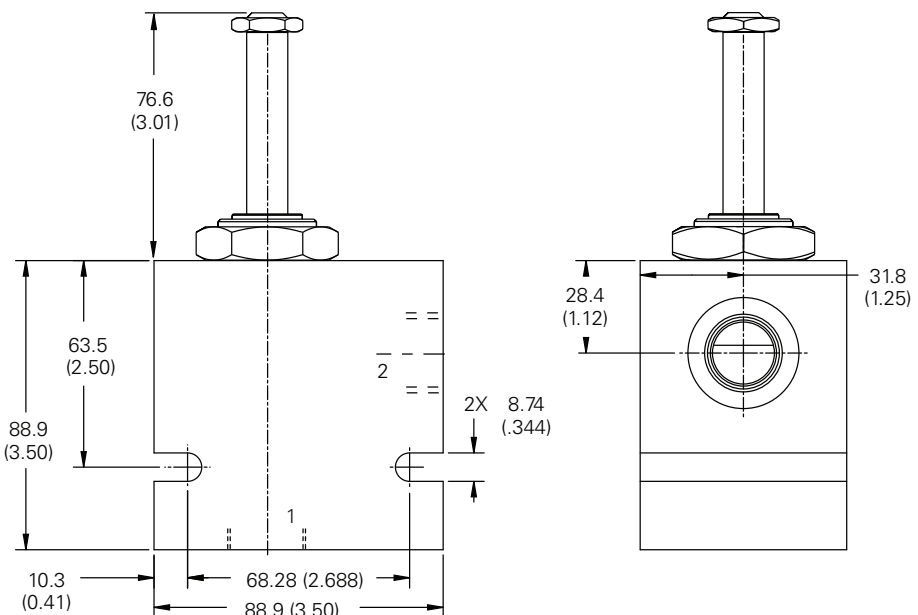
**Note:** When J series, 23 W coils with this solenoid valve.

## Dimensions - mm (inch)

### Cartridge only



### Installation drawing



Where measurements are critical request certified drawings. We reserve the right to change specifications without notice.