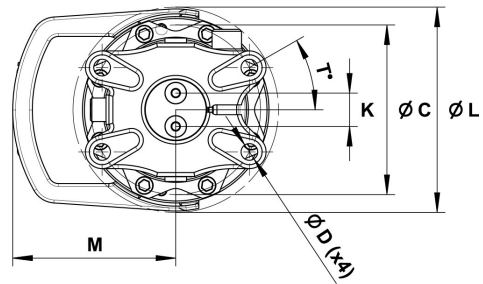
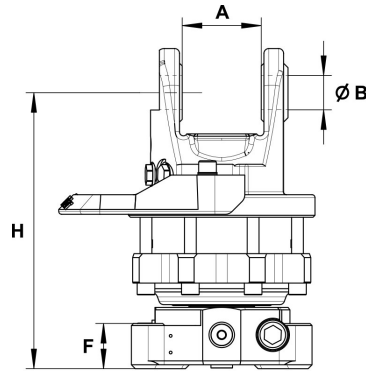
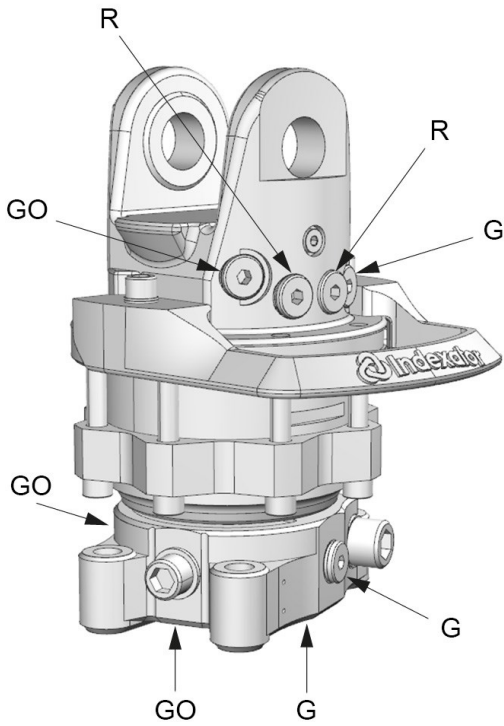


GV 4E I

Part No.: 5040015



| Upper connection | Lower connection |
|------------------|------------------|
| G 3/8 | G 3/8 |

| | | | | | | | | | |
|---------------|--------------|---------------|--------------|-------------|--------------|-------------|---------------|--------------|-----------|
| A: 80,5 mm | B: Ø35 mm | C: Ø173 mm | D: Ø17 mm | F: 46 mm | H: 281 mm | K: 34 mm | L: Ø207 mm | M: 166 mm | T: 30° |
|---------------|--------------|---------------|--------------|-------------|--------------|-------------|---------------|--------------|-----------|

| | | | | | | | | | |
|-------|------|--------------|--------------|---------|-----------------|---------------|---------------|---------------|---------------|
| | | | | | | | | | |
| 33 kg | 360° | Max 45 kN | Max 25 kN | 1150 Nm | Max 12 l/min | Max 25 MPa | Max 30 MPa | Max 30 MPa | Max 30 MPa |

Adapter sets are available for alternative connections.

We reserve the right to make product changes. For further technical information relating to integration and hydraulic connections, please contact rotator@indexator.com