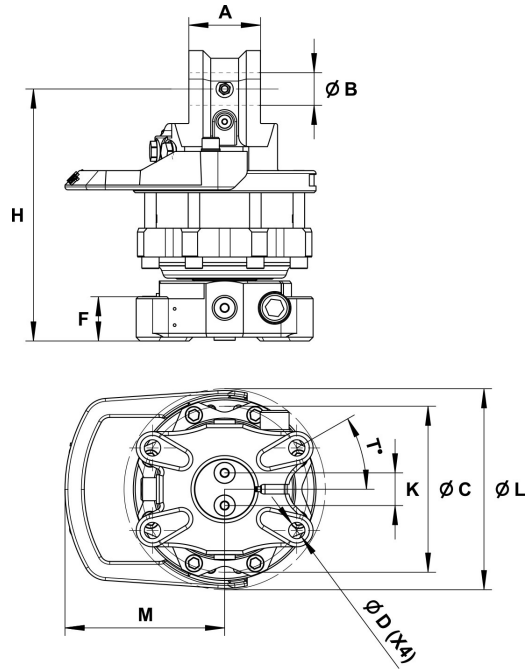
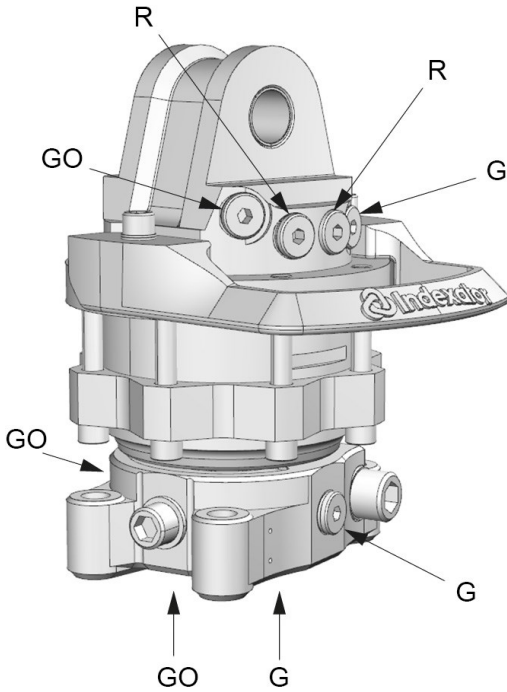











GV 4/30 I

Part No.: 5040013



Upper connection	Lower connection
G 3/8	G 3/8

A: 75 mm	B: Ø30 mm	C: Ø173 mm	D: Ø17 mm	F: 46 mm	H: 263 mm	K: 34 mm	L: Ø207 mm	M: 166 mm	T: 30°
-------------	--------------	---------------	--------------	-------------	--------------	-------------	---------------	--------------	-----------

 31.9 kg	 360°	 Max 45 kN	 Max 25 kN	 1150 Nm	 Max 12 l/min	 Max 25 MPa	 Max 30 MPa	 Max 30 MPa
--	---	---	---	--	--	--	--	--

Adapter sets are available for alternative connections.

We reserve the right to make product changes. For further technical information relating to integration and hydraulic connections, please contact rotator@indexator.com