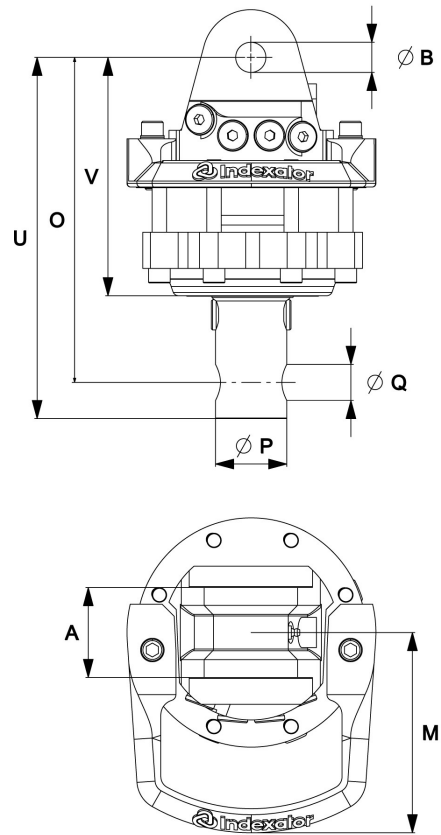
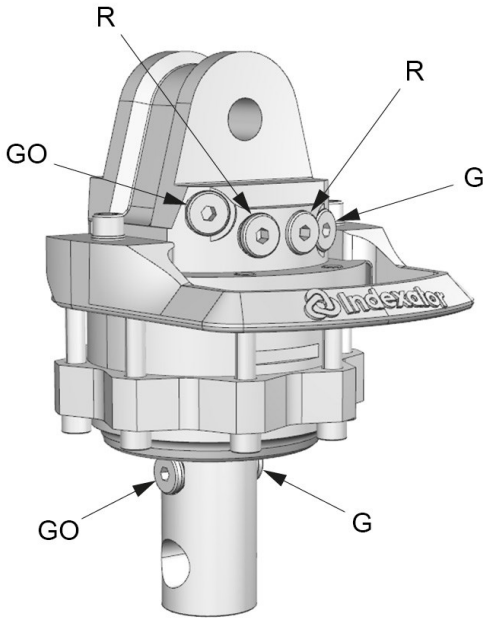










GV 4 -59/30 P

Part No.: 5040012



Upper connection	Lower connection
G 3/8	G 3/8

A: 75 mm	B: Ø25 mm	M: 166 mm	O: 269 mm	P: Ø59 mm	Q: Ø30 mm	U: 299 mm	V: 198 mm
-------------	--------------	--------------	--------------	--------------	--------------	--------------	--------------

 26 kg	 360°	 Max 45 kN	 Max 25 kN	 1150 Nm	 Max 12 l/min	 Max 25 MPa	 Max 30 MPa	 Max 30 MPa
--	---	---	---	--	--	--	--	--

Rotator where the connections and tap hole through the shaft are parallel.

Adapter sets are available for alternative connections.

We reserve the right to make product changes. For further technical information relating to integration and hydraulic connections, please contact rotator@indexator.com