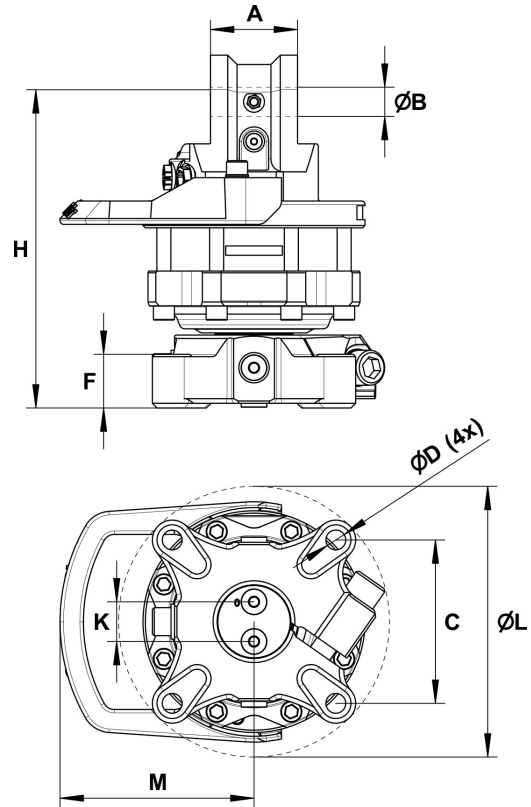
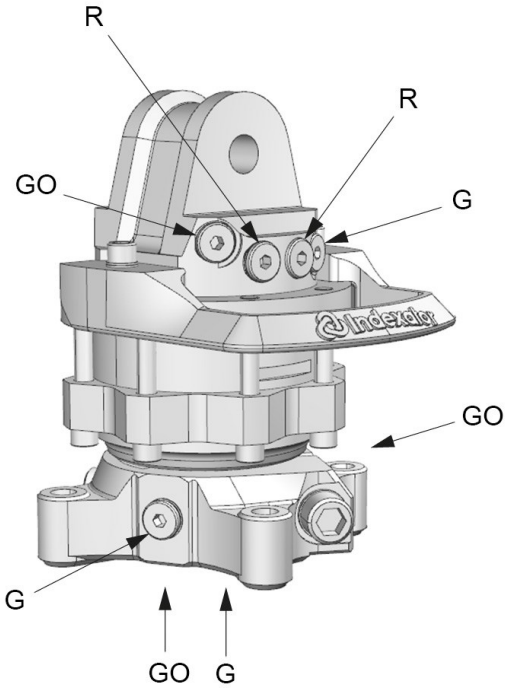









# GV 4 K

Part No.: 5040006



Upper connection	Lower connection
G 3/8	G 3/8

A: 75 mm	B: Ø25 mm	C: 140x140	D: 17 mm	F: 46 mm	H: 263 mm	K: 34 mm	L: Ø232 mm	M: 166 mm
-------------	--------------	---------------	-------------	-------------	--------------	-------------	---------------	--------------

 33.3 kg	 360°	 Max 45 kN	 Max 25 kN	 1150 Nm	 Max 12 l/min	 Max 25 MPa	 Max 30 MPa	 Max 30 MPa
--	---	---	---	--	--	--	--	--

K = 140×140 mm lower hole pattern.

Adapter sets are available for alternative connections.

We reserve the right to make product changes. For further technical information relating to integration and hydraulic connections, please contact [rotator@indexator.com](mailto:rotator@indexator.com)