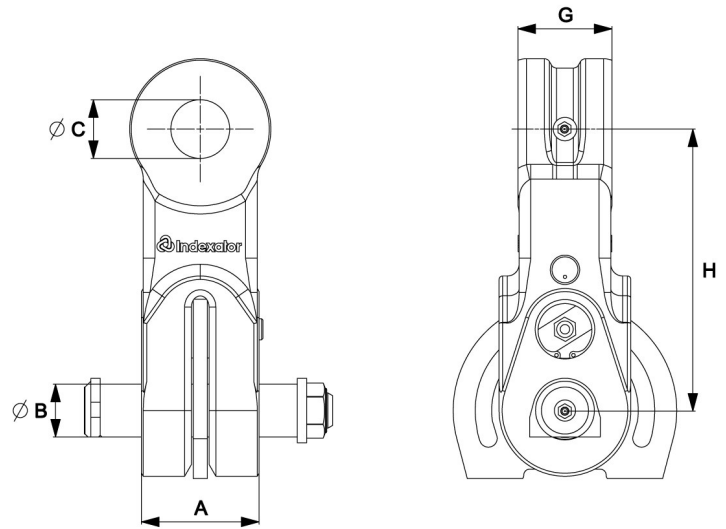
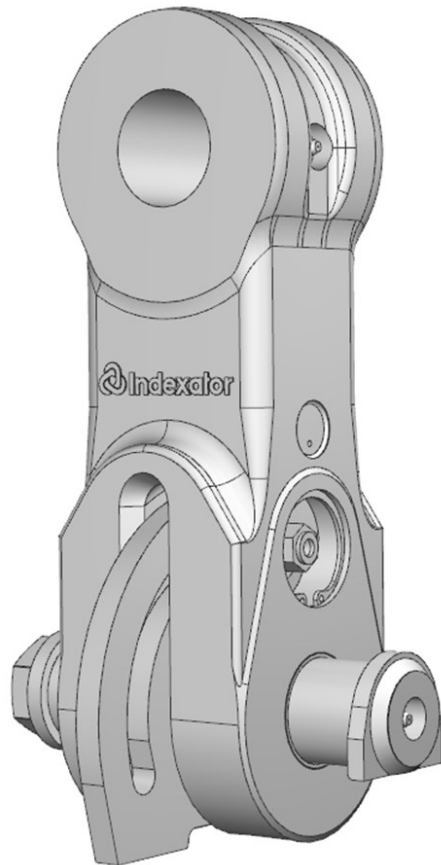




# Single swing damper S-80 HD

Part No.: 5016704



|        |        |           |       |        |
|--------|--------|-----------|-------|--------|
| A:     | B:     | C:        | G:    | H:     |
| 100 mm | Ø45 mm | See table | 80 mm | 240 mm |

| Diameter, upper bushing (C) | Steel       | Bronze      | ManganBronze | Composite   |
|-----------------------------|-------------|-------------|--------------|-------------|
| Ø45 mm                      | 2 x 1002294 | 2 x 1003193 | 2 x 5006672  | -           |
| Ø40 mm                      | 2 x 5002468 | -           | 2 x 5006685  | 1 x 5002401 |
| Ø35 mm                      | -           | -           | 2 x 5006687  | 1 x 5002402 |
| Ø30 mm                      | -           | -           | -            | 1 x 5002403 |
| Ø25 mm                      | -           | -           | -            | 1 x 5002404 |

|  |  |
|--|--|
| <br>24 kg | Max<br><br>160 kN |
|--|--|

The product is supplied with a pin and bushing in the lower position. The product is supplemented with a bushing in the upper position according to the table.

We reserve the right to make product changes. For further technical information relating to integration, please contact [rotator@indexator.com](mailto:rotator@indexator.com)