

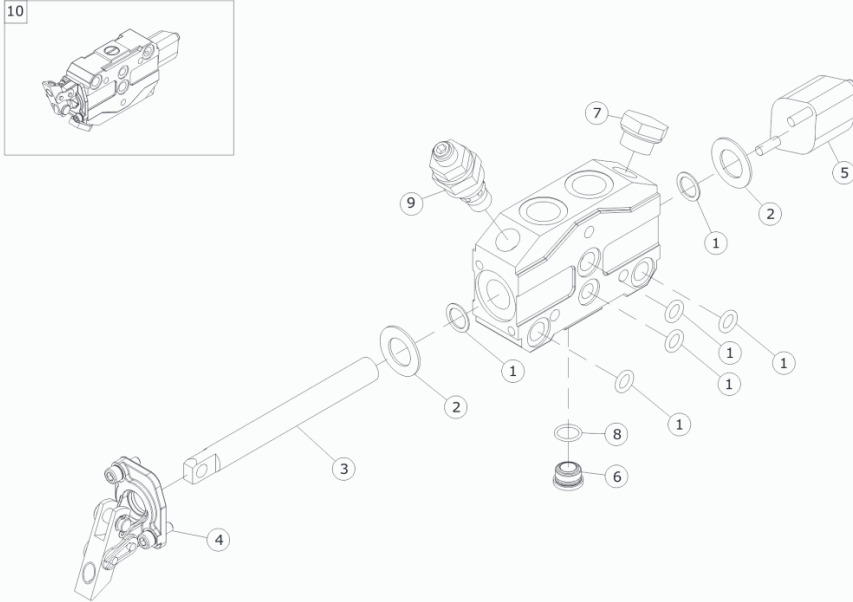
Model: M5 NX 50.3

M4D1927

Chapter 4. 14. 2. 2 Valve Bank Sections

Auxiliary Valve Bank Section

M4D1927 - Auxiliary Valve Bank Section			
Pos	Part nr	Description	Quantity
1	519.055.0000	Seal Kit	1
2	500.055.0001	Spacer	2
3	700381	Spool	1
4	500.100.0510	Lever Cap Kit	1
5	500.100.0505	Positioner	1
6	500.055.0000	Check Valve	1
7	700388	Relief Valve Plug	1
8	519.999.0026	O-Ring	1
9	500.055.1872	Service Relief Valve	1
10	500.059.0111	Valvebank Section ,	1



Auxiliary Valve Bank Section - M4D1927