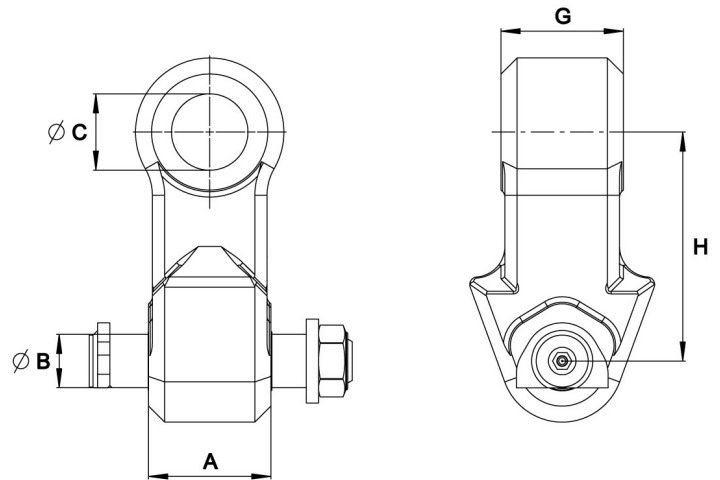
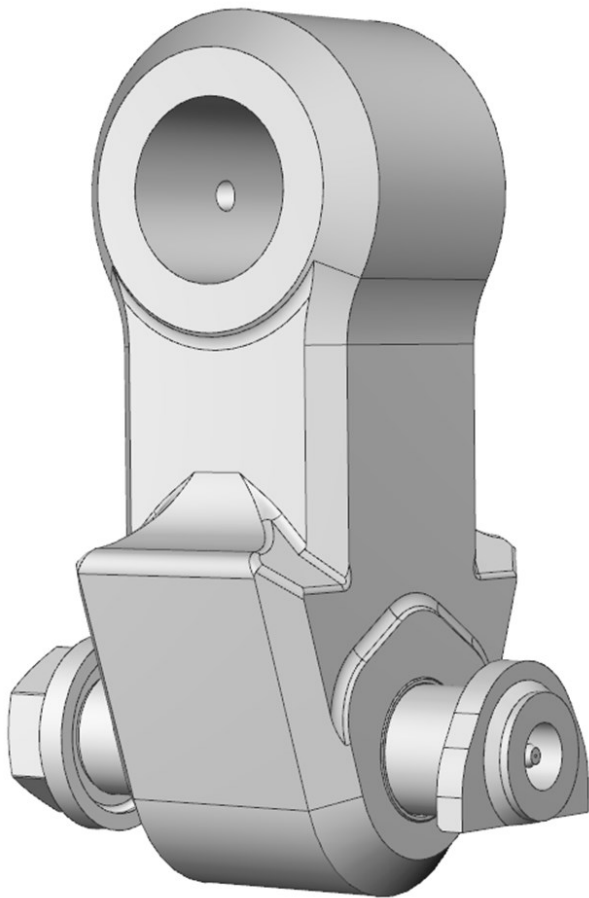




Link 80-80 L150

Part No.: 5006610



A:	B:	C:	G:	H:
80 mm	Ø35 mm	See table	80 mm	150 mm

Diameter, upper bushing (C)	Bronze	ManganBronze	Composite
Ø45 mm	2 x 1003193	2 x 5006672	-
Ø40 mm	-	2 x 5006685	1 x 5002401
Ø35 mm	-	2 x 5006687	1 x 5002402
Ø30 mm	-	-	1 x 5002403
Ø25 mm	-	-	1 x 5002404

 10 kg	Max  100 kN
--	--

The product is supplied with a pin and bushing in the lower position. The product is supplemented with a bushing in the upper position according to the table.

We reserve the right to make product changes. For further technical information relating to integration, please contact rotator@indexator.com