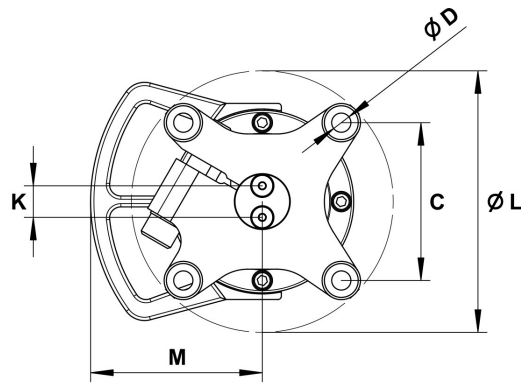
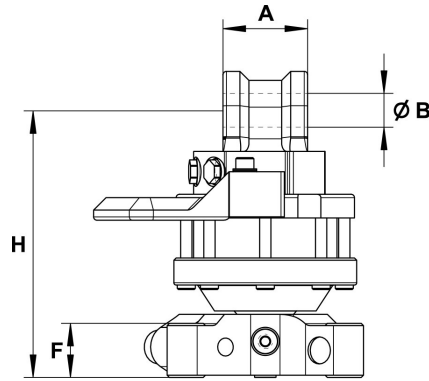
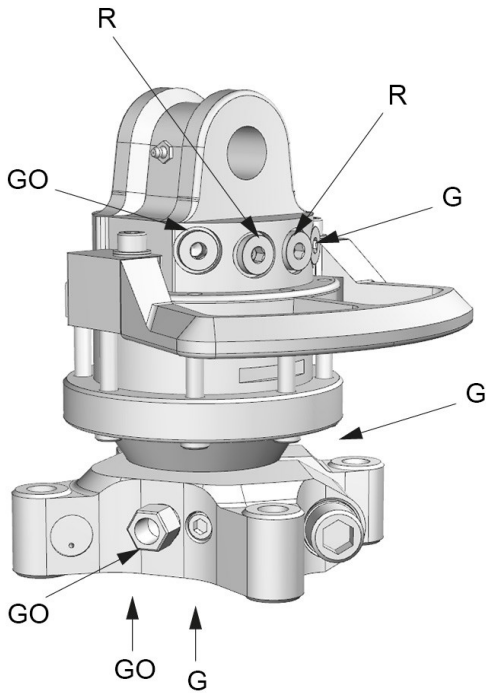











GV 3/30 K

Part No.: 5002284



Upper connection	Lower connection
G 3/8	G 1/4

A: 75 mm	B: Ø30 mm	C: 140x140	D: Ø17 mm	F: 48 mm	H: 237 mm	K: 28 mm	L: Ø232 mm	M: 130 mm
-------------	--------------	---------------	--------------	-------------	--------------	-------------	---------------	--------------

 23.8 kg	 360°	 Max 30 kN ¹	 Max 12.5 kN	 950 Nm	 Max 10 l/min	 Max 25 MPa	 Max 20 MPa ²	 Max 30 MPa
--	---	--	---	---	--	--	---	--

¹ 40 kN when mounted to a piece goods crane.

² 25 MPa when mounted to a piece goods crane.

K = 140×140 mm lower hole pattern.

Adapter sets are available for alternative connections.

We reserve the right to make product changes. For further technical information relating to integration and hydraulic connections, please contact rotator@indexator.com