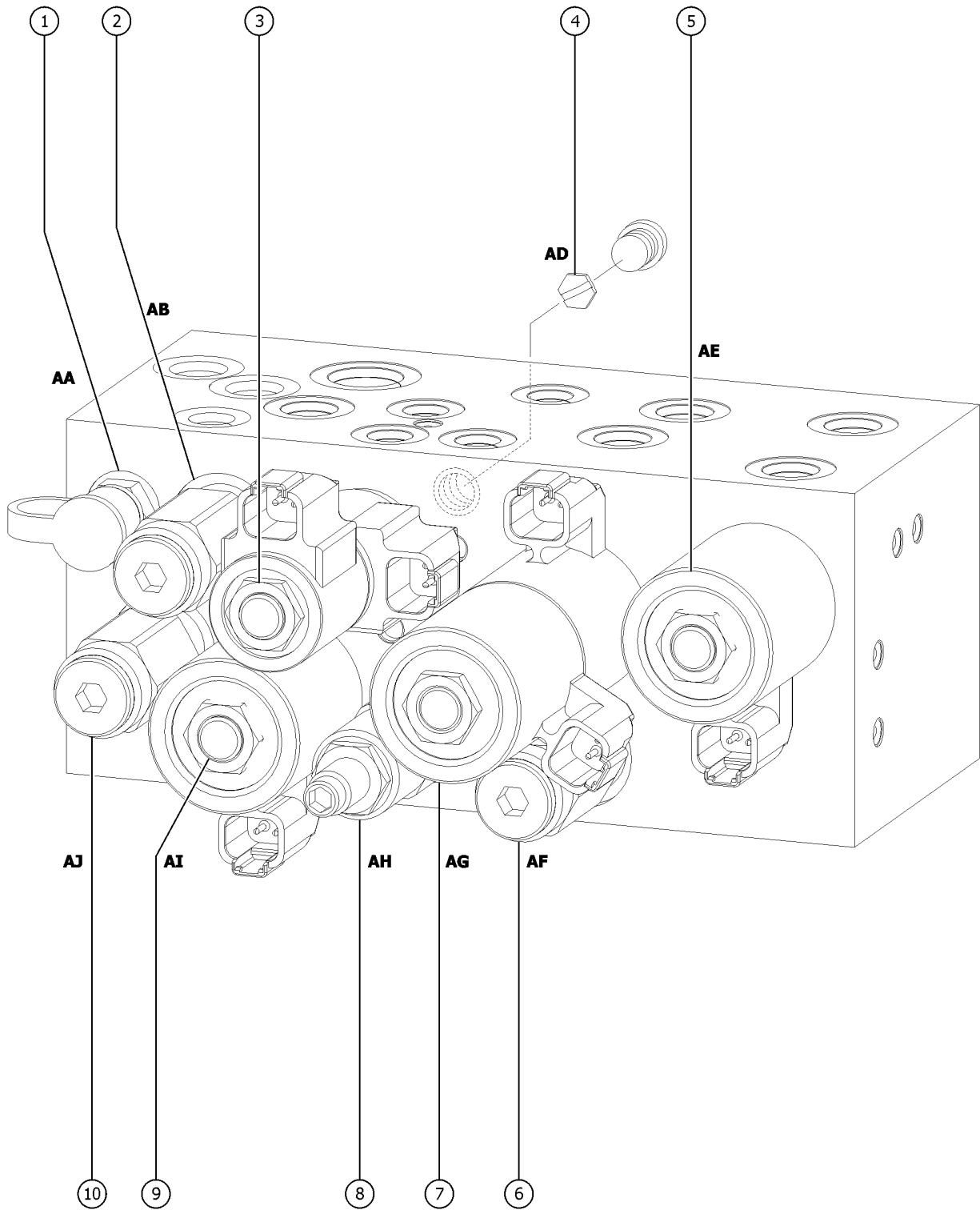


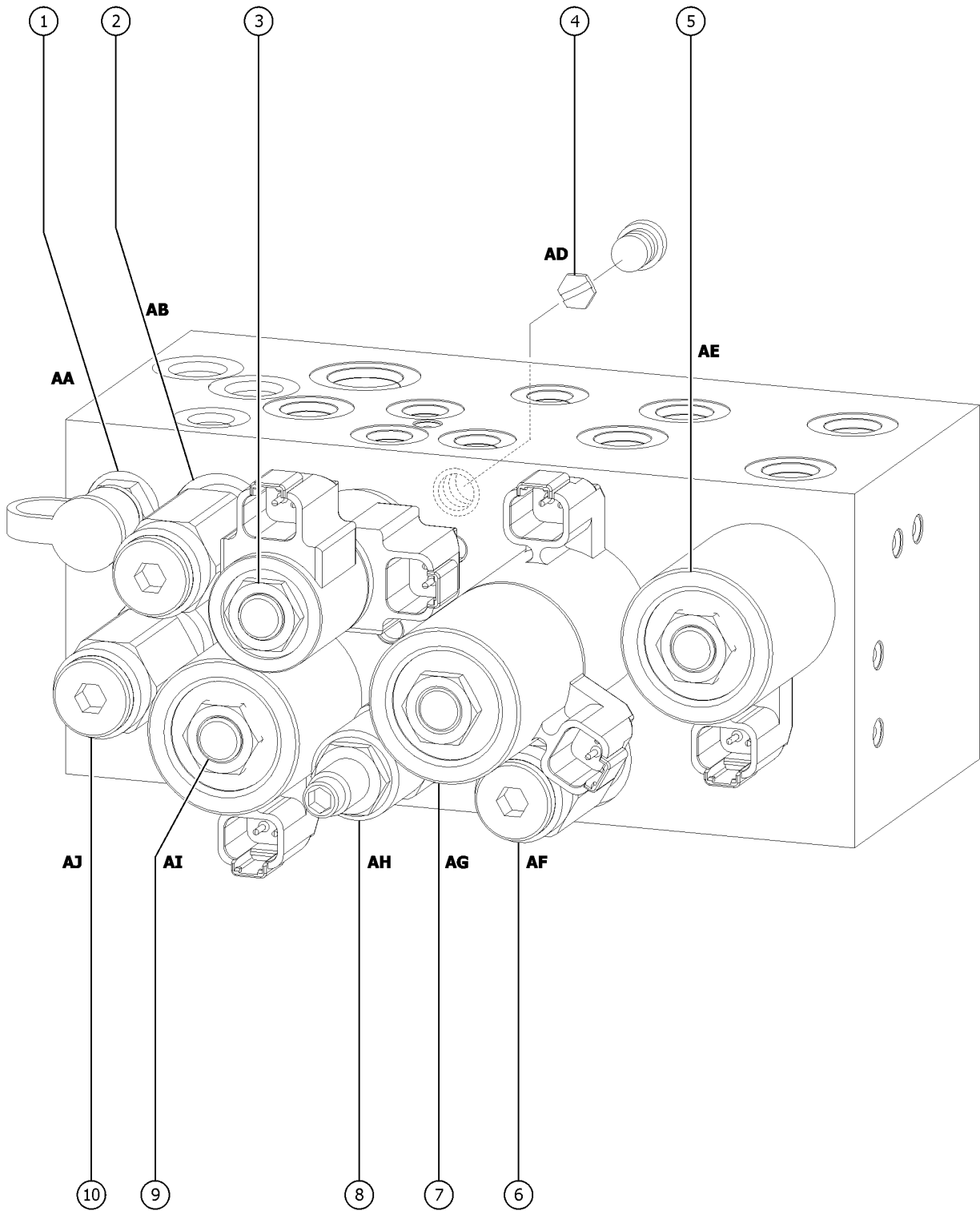
509.1 Function Manifold (H-drive)



Item	Part No.	Description	Qty.
-	1311985GT	FUNCTION, MANIFOLD, 2 SPEED (does not include check valve, item 4)	
-	1318721GT	PRESSURE TRANSDUCER TK,0-5K PSI (does not include check valve, item 4)	
-	49613GT	PLUG AND CAP KIT-SERVICE,ORFS*	
-	49612GT	O-RING KIT (ORFS FITTINGS)	
-	105463GT	126,DYN.BRAKING,MANIF,32/46	
1	48997GT	NIPPLE,DIAGNOSTIC,#4 (AA, Testing)	
1-	20224GT	DIAGNOSTIC FEMALE Q-DSCNT	
1-	48880GT	CAP,DIAGNOSTIC NIPPLE	
2	1299590GT	VALVE, FUNCTION MANIFOLD RELIEF, 3700PSI (AB, System relief)	
2-	44226GT	SEAL KIT-FOR P.N.44167	
2B	1299590GT	VALVE, FUNCTION MANIFOLD RELIEF, 3700PSI	
3	44168GT	VALVE,SOLENOID,3POS 4WAY (AC, Steer left/right)	
3-	44229GT	SEAL KIT, VALVE	
3-	44236GT	SPACER-DUAL COIL,#8*** (sold separately)	
3-	77709GT	COIL,#8 20VDC,DEUTSCH W/DIODE (sold separately)	
3-	44174GT	NUT-COIL SHORT (sold separately)	
4	84386GT	CHECK DISK, NO SPRING (AD, Steer circuit)	
5	44171GT	VALVE-SOLENOID,2POS 4WAY** (AE, Drive speed select circuit)	
5-	44175GT	SPACER-DUAL COIL,#10, SCISSORS (sold separately)	
5-	44230GT	SEAL KIT-P.N.44169,44172,44171	
5-	84385GT	COIL,20VDC DEUTCSH W/DIODE (sold separately)	
6	97409GT	VALVE,DIFF.AREA RELIEF,50PSI (AF, Brake release)	
7	150104GT	VALVE, DYN. BRAKING, GS32/46	
7-	44175GT	SPACER-DUAL COIL,#10, SCISSORS (sold separately)	
7-	84385GT	COIL,20VDC DEUTCSH W/DIODE (sold separately)	
8	84384GT	PRTY, FLOW CNTRL VALVE,.75 GPM (AH, Steer circuit)	
8-	1261888GT	SEAL KIT (84384) for 84384GT	
8-	44230GT	SEAL KIT-P.N.44169,44172,44171	



509.1 Function Manifold (H-drive)



509.1 Function Manifold (H-drive)

<i>Item</i>	<i>Part No.</i>	<i>Description</i>	<i>Qty.</i>
9	44169GT	VALVE-SOLENOID, 2POS 4 WAY ..... (AI, Platform up)	
9-	84385GT	COIL,20VDC DEUTC SH W/DIODE ..... (sold separately)	
9-	44175GT	SPACER-DUAL COIL,#10, SCISSORS ..... (sold separately)	
9-	44230GT	SEAL KIT-P.N.44169,44172,44171 .....	
10	1299590GT	VALVE, FUNCTION MANIFOLD RELIEF, 3700PSI ..... (AJ, Lift relief)	
10-	44226GT	SEAL KIT-FOR P.N.44167 .....	
10B	1299590GT	VALVE, FUNCTION MANIFOLD RELIEF, 3700PSI .....	

