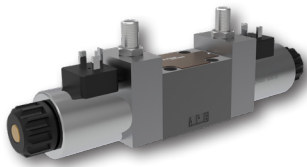


4/2 and 4/3 Directional Control Valve, Solenoid Operated

RPE3-06

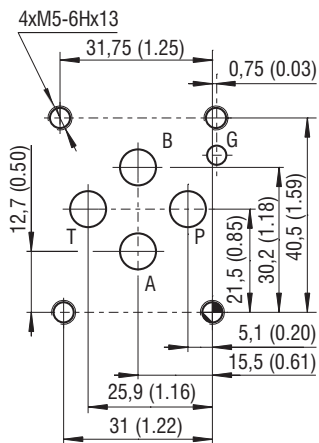
Size 06 (D03) • Q_{max} 80 l/min (21 GPM) • p_{max} 350 bar (5100 PSI)



Technical Features

- › Direct acting, directional control valve with subplate mounting interface acc. to ISO 4401, DIN 24340 (CETOP 03)
- › High transmitted hydraulic power up to 350 bar with optimized design to minimize pressure drop
- › Five chamber housing design with reduced hydraulic power dependence on fluid viscosity
- › The valve is available with interchangeable DC solenoids, also for AC power supply using a built-in rectifier bridge
- › Wide range of solenoid electrical terminal versions available
- › Wide range of interchangeable spools and manual overrides available
- › CSA Certificate upon request
- › Inductive contactless Normally Open and Normally Closed spool position sensor option
- › Soft-shift spool speed control option
- › The coil is fastened to the core tube with a retaining nut and can be rotated by 360° to suit the available space
- › In the standard version, the valve housing is phosphated for basic surface corrosion protection and as preparation for painting. Steel parts are zinc-coated for 240 h salt spray protection acc. to ISO 9227
- › Enhanced surface protection for mobile sector available for the valve housing and steel parts (ISO 9227, 520 h salt spray)

ISO 4401-03-02-0-05



Ports P, A, B, T - max Ø7.5 mm (0.29 in)

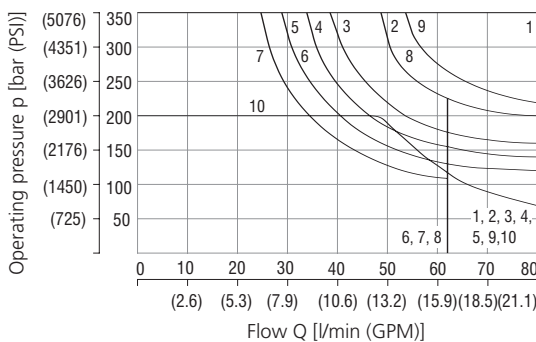
Technical Data

Valve size	06 (D03)		
Max. flow	80 (21.1)		
Max. operating pressure at ports P, A, B	bar (PSI)	standard 350 (5080)	
		320 (4640) acc. to CSA	
Max. operating pressure at port T	bar (PSI)	210 (3050)	
Fluid temperature range (NBR)	°C (°F)	-30 ... +80 (-22 ... +176)	
Fluid temperature range (FPM)	°C (°F)	-20 ... +80 (-4 ... +176)	
Ambient temperature range	°C (°F)	-30 ... +50 (-22 ... +122)	
Supply voltage tolerance	%	AC: ±10	DC: ±10
Max. switching frequency	1/h	15 000	
Switching time at v=32 mm/s (156 SUS)	ON	ms	AC: 30 ... 40
	OFF	ms	DC: 30 ... 50
Weight	- valve with 1 solenoid	kg (lbs)	1.6 (3.52)
	- valve with 2 solenoids		2.2(4.85)
General information		Datasheet	Type
		GI_0060	Products and operating conditions
Coil types / connectors		C_8007 / K_8008	C22B* / K*
Mounting interface		SMT_0019	Size 06
Spare parts		SP_8010	

Characteristics measured at v = 32 mm²/s (156 SUS)

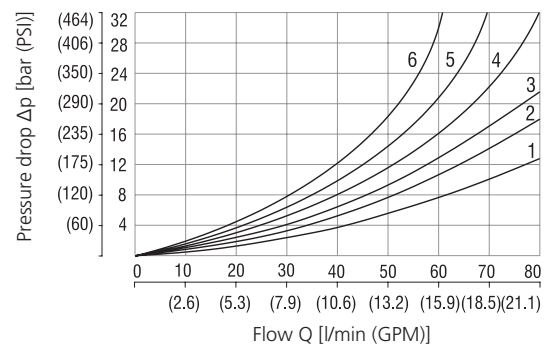
Operating limits

Operating limits for maximum hydraulic power at rated temperature and supply voltage equal to 90 % nominal.



Spool symbol	5	F11	7	Z91
1	Z11			
6	C11	R11	5	R31
5	H11	R21	5	H51
1	P11	A51	7	F51
2	Y11	P51	3	X11
5	L21	Y51	7	K11
8	B11	C51	7	N11
6	Y41	Z51	10	X25
1	Z21	Z71	1	J15
5	C41	Z81	9	J75

Pressure drop related to flow rate



Spool symbol	P-A	P-B	A-T	B-T	P-T
Z11,L21,B11,R11	2	2	3	3	
R21,X11,N11,J15					
C11	5	5	5	6	3
H11	2	2	2	3	3
P11	1	1	3	3	
Y11	2	2	2	2	
Y41	3	3	3	3	
Z21,Z51,H51		2	3		
C41	4	4			5
F11	1	2		3	3
A51,J75	2	2			

For operating limits under conditions and flow directions other than shown contact our technical support. Admissible operating limits may be considerably lower with only one direction of flow (A or B plugged, or without flow.)

Ordering Code

4/2 and 4/3 directional control valve, solenoid operated

Valve size

Number of spool positions
two positions 2
three positions 3

Spool symbols
see the table "Spool Symbols"

Rated supply voltage of solenoids
(at the coil terminals)

12 V DC / 2.72 A	Ⓢ 01200
24 V DC / 1.29 A	Ⓢ 02400
27 V DC / 1.07 A	02700
205 V DC / 0.15 A	20500
24 V AC / 1.56 A / 50 (60 Hz)	02450
120 V AC / 0.26 A / 60 Hz	12060
230 V AC / 0.15 A / 50 (60) Hz	23050

Ⓢ CSA upon request - only for 320 bar (4640 PSI)

Connector

EN 175301-803-A	Ⓢ E1
E1 with quenching diode	E2
AMP Junior Timer - axial direction (2 pins; male)	E3A
E3A with quenching diode	E4A
EN 175301-803-A with integrated rectifier	E5
Loose conductors (two insulated wires)	E8
E8 with quenching diode	E9
Deutsch DT04-2P - axial direction (2 pins; male)	E12A
E12A with quenching diode	E13A

CSA Certified
without certification
CSA marking

Surface treatment
standard
A zinc-coated (ZnCr-3), ISO 9227 (240 h)
B zinc-coated (ZnNi), ISO 9227 (520 h)

Spool monitoring
without sensors
S1 normally-open sensor
S4 normally-closed sensor

Seals
NBR
V FPM (Viton)

Soft-shift spool speed control
without soft-shift control
T1 orifice \varnothing 0.7 mm (0.03 inch) in solenoid

Manual override
standard
N1 cap nut covered
N2 rubber boot protected
N3 detent assembly with the ball
N4 hand screw
N5 socket head screw, size 3
N7 detent assembly with the nut
N8 with ball
N9 without manual override

No designation
U

No designation
A
B

No designation
S1
S4

No designation
V

No designation
T1

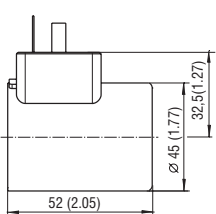
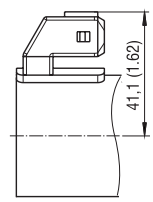
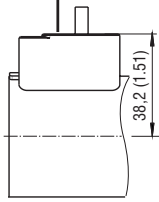
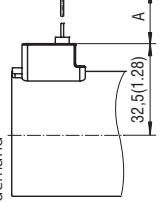
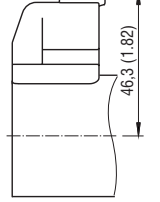
- For directional valves with two solenoids, one solenoid must be de-energized before the other solenoid can be charged.
- For AC voltage supply use coils with connector type E5.
- For other solenoid voltage supply options see datasheet C_8007.

- The solenoid operated valves are delivered without connectors. For available connectors see datasheet K_8008.
- The orifice to the P port can be ordered separately, see datasheet SP_8010.
- Mounting bolts M5 x 45 DIN 912-10.9 or studs must be ordered separately. Tightening torque is 8.9+1 Nm (6.56+0.7 lbf.ft).
- Besides the commonly used valve versions shown other special models are available. Contact our technical support for their identification, feasibility and operating limits.

Spool Symbols

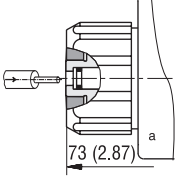
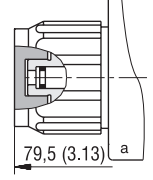
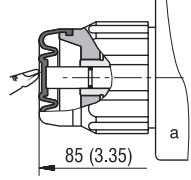
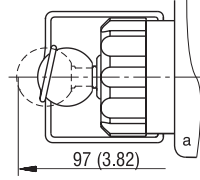
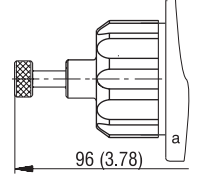
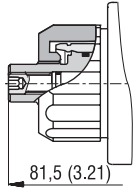
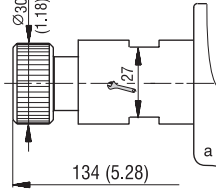
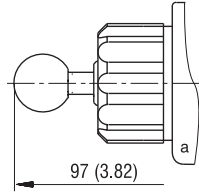
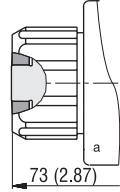
Type	Symbol	Interposition	Type	Symbol	Interposition	Type	Symbol	Interposition
Z11			R11			Z11		
C11			R21			X11		
H11			A51			C11		
P11			P51			H11		
Y11			Y51			K11		
L21			C51			N11		
B11			Z51			F11		
Y41			Z71			X25		
Z21			Z81			J15		
C41			Z91			J75		
F11			R31					
			H51					
			F51					

Type of Solenoid Coil in millimeters (inches)

E1, E2 / IP65	E3A, E4A / IP67	E5 / IP65	E8, E9	E12A, E13A / IP67 / 69K
				

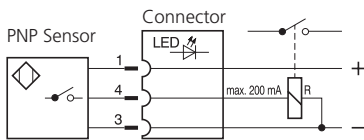
The specified IP rating applies only in the case of correctly connected connectors (male + female) with the corresponding IP rating.

Manual Override in millimeters (inches)

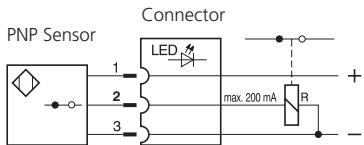
No designation - standard	N1 - cap nut covered	N2 - rubber boot protected	N3 - detent assembly with the ball	N4 - hand screw
				
N5 - socket head screw, size 3	N7 - detent assembly with the nut	N8 - with ball	N9 - without manual override	In case of solenoid malfunction or power failure, the spool of the valve can be shifted by manual override as long as the pressure in port T does not exceed 25 bar (363 PSI). For alternative manual overrides contact our technical support.
				

Spool Position Sensor

S1 - Circuit diagram for the normally - **OPEN** sensor



S4 - Circuit diagram of the normally - **CLOSED** sensor



Function of the position sensor:

In the basic position (when the solenoid is switched off), a steel core, connected to the spool, is under the position sensor. The sensor is activated, it means contacts of the sensor S1 are closed and contacts of the sensor S4 are open. After switching on the solenoid the spool with core moves out of the sensor range and the sensor is deactivated.

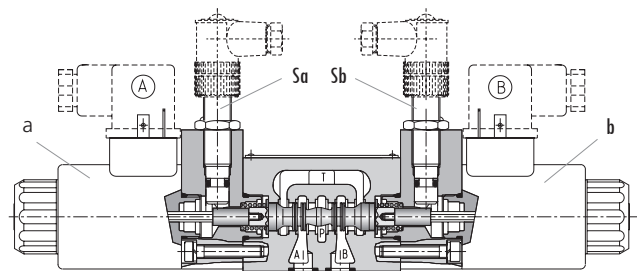
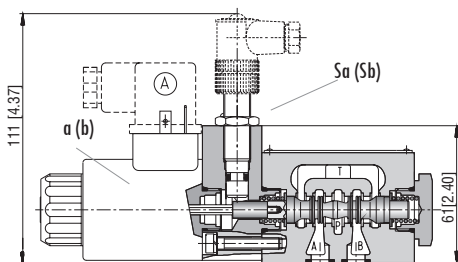
Technical Data of the Sensor		S1, S4
Rated power supply voltage	V	24 DC
Power supply voltage range	V	10 ... 30 DC
Rated current	mA	200
Sensor enclosure protection (EN 60529)		IP 67
Max. operating pressure at port T	bar (PSI)	210 (3046)
Switching frequency	Hz	1000
Ambient temperature range	°C (°F)	-25 ... +80 (-13 ... +176)
Technical Data of the Connector		
Power supply voltage range	V	10 ... 30 DC
Ambient temperature range	°C (°F)	-25 ... +80 (-13 ... +176)
Indicator		yellow LED

Typical configurations of the valve with a sensor:

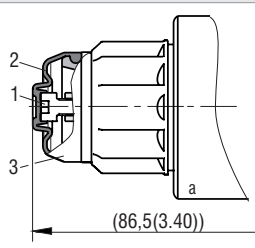
- 3-position valve with two solenoids, equipped with two sensors
 - 2-position valve with one solenoid, equipped with one sensor on the solenoid side
 - 2-position valve with a detent assembly of spool, equipped with one sensor on the side of the solenoid which moves the spool from the basic position to the switched position according to the spool symbol
- Note:** the sensor always indicates the change of spool position realised by the energised solenoid, mounted on the side of the sensor.

Signal of solenoid ① a(b)	Two-Position Directional Control Valve		LED	
	③ Sa(Sb)	S4	S1	S4
0	1	0	ON	OFF
1	0	1	OFF	ON

Signal of solenoid ① a(b)	Three-Position Directional Control Valve				LED					
	③ Sa(Sb)		S4		S1		S4			
	a	b	Sa	Sb	Sa	Sb	Sa - LED	Sb - LED	Sa - LED	Sb - LED
0	0	1	1	0	0	0	ON	ON	OFF	OFF
1	0	0	1	1	0	0	OFF	ON	ON	OFF
0	1	1	0	0	1	1	ON	OFF	OFF	ON

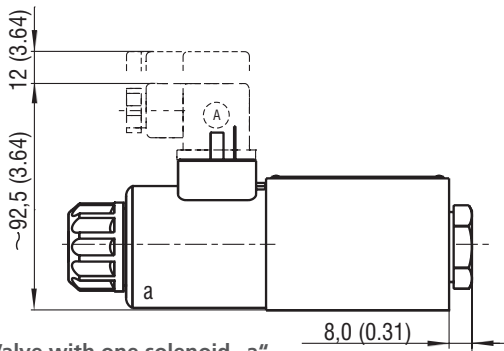
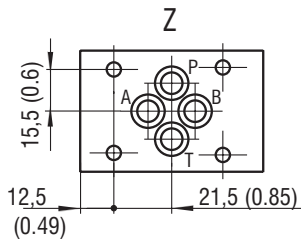
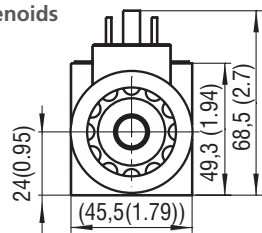


Spool Speed Control in millimeters (inches)

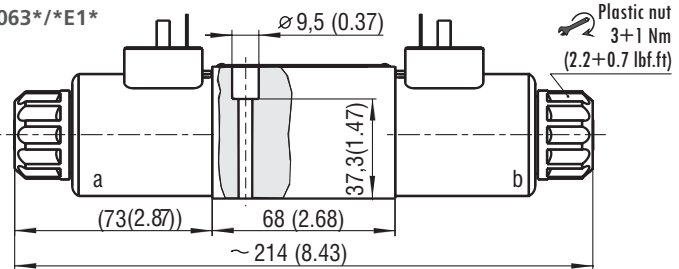
Designation T1	Important:
	<p>This directional valve provides the means to control spool soft shifting by an orifice situated in the solenoid armature. To ensure the proper function of the valve, unobstructed venting of the solenoid is required through the bleeding plug (1). The plugs are accessible after removing the rubber boot (2) from the solenoid cap nut (3).</p>
<p>Switching time ON and OFF</p>	<p>300 ... 800 ms</p>
<p>The switching times shown are valid for viscosity $\nu = 32 \text{ mm}^2/\text{s}$ (156 SUS) and nominal voltage. They depend on working pressure and flow rate of the directional control valve.</p>	

Dimensions in millimeters (inches)

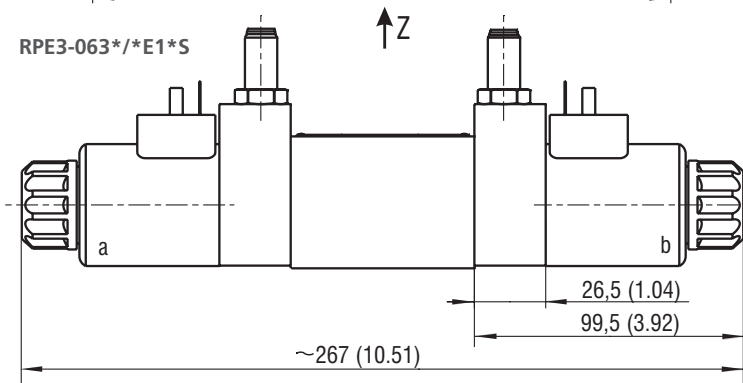
Valve with two solenoids



RPE3-063*/E1*

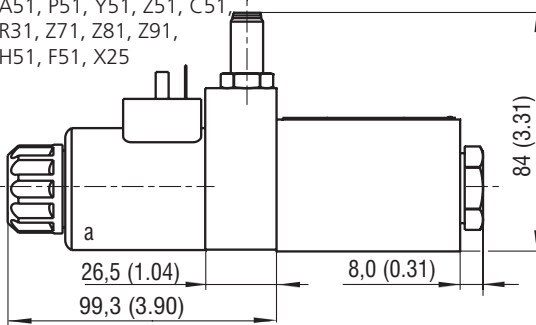


RPE3-063*/E1*S



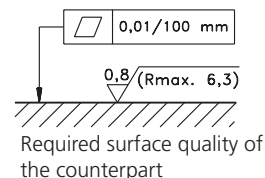
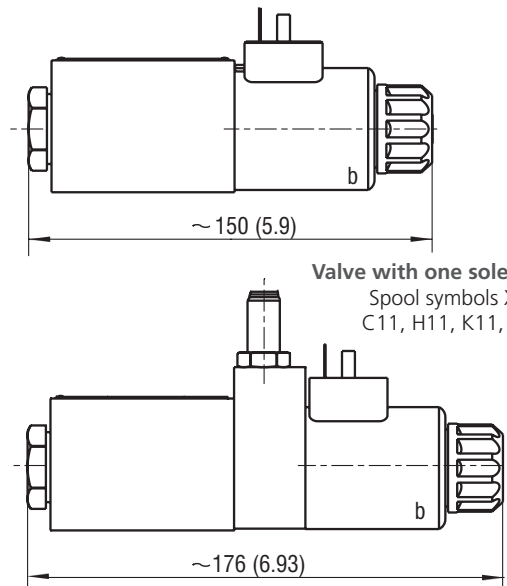
Valve with one solenoid „a“

Spool symbols R11, R21, A51, P51, Y51, Z51, C51, R31, Z71, Z81, Z91, H51, F51, X25



Valve with one solenoid „b“

Spool symbols X11, Z11, C11, H11, K11, N11, F11



Mounting screws 8.9+1 Nm (6.56+0.7 lbf.ft)
M5x45 DIN 912-10.9