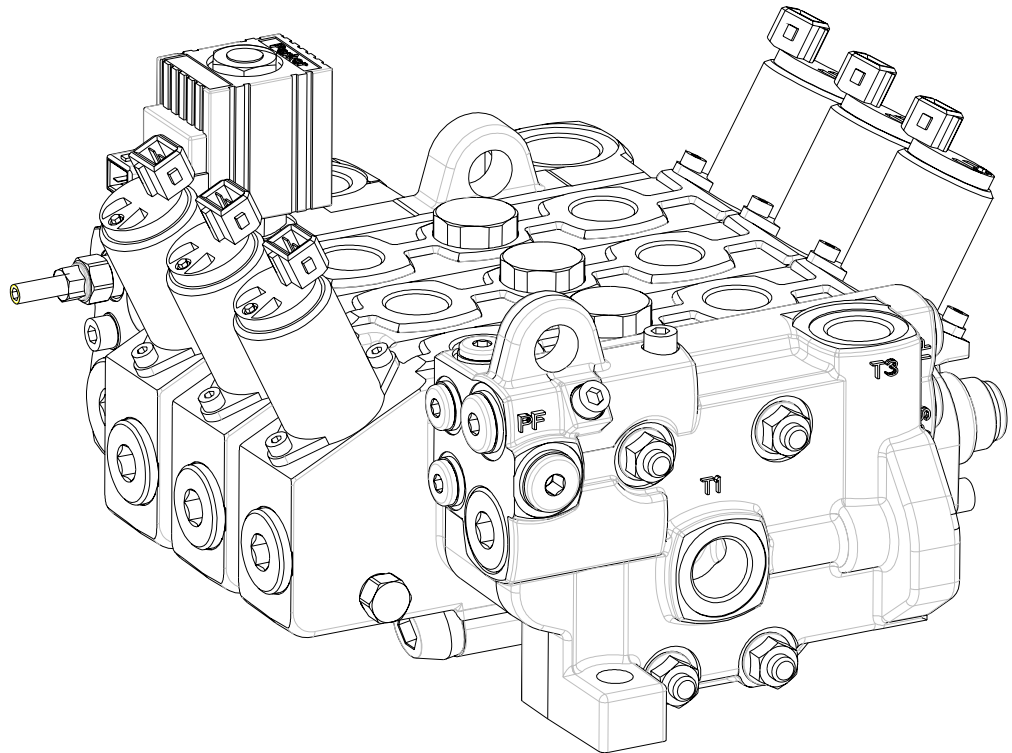




# *Spare Parts List* *Series P70CF/CP*

*Directional valve*

*Publication No HY17-8810/UK*  
*June 2004*



---

#### Conversion factors

1 kg	= 2.2046 lb
1 N	= 0.22481 lbf
1 bar	= 14.504 psi
1 l	= 0.21997 UK gallon
1 l	= 0.26417 US gallon
1 cm <sup>3</sup>	= 0.061024 in <sup>3</sup>
1 m	= 3.2808 feet
1 mm	= 0.03937 in
9/5 °C + 32	= °F



## WARNING

**FAILURE OR IMPROPER SELECTION OR IMPROPER USE OF THE PRODUCTS AND/OR SYSTEMS DESCRIBED HEREIN OR RELATED ITEMS CAN CAUSE DEATH, PERSONAL INJURY AND PROPERTY DAMAGE.**

This document and other information from Parker Hannifin Corporation, its subsidiaries and authorized distributors provide product and/or system options for further investigation by users having technical expertise. It is important that you analyze all aspects of your application, including consequences of any failure, and review the information concerning the product or system in the current product catalogue. Due to the variety of operating conditions and applications for these products or systems, the user, through its own analysis and testing, is solely responsible for making the final selection of the products and systems and assuring that all performance, safety and warning requirements of the application are met.

The products described herein, including without limitation, product features, specifications, designs, availability and pricing, are subject to change by Parker Hannifin Corporation and its subsidiaries at any time without notice.

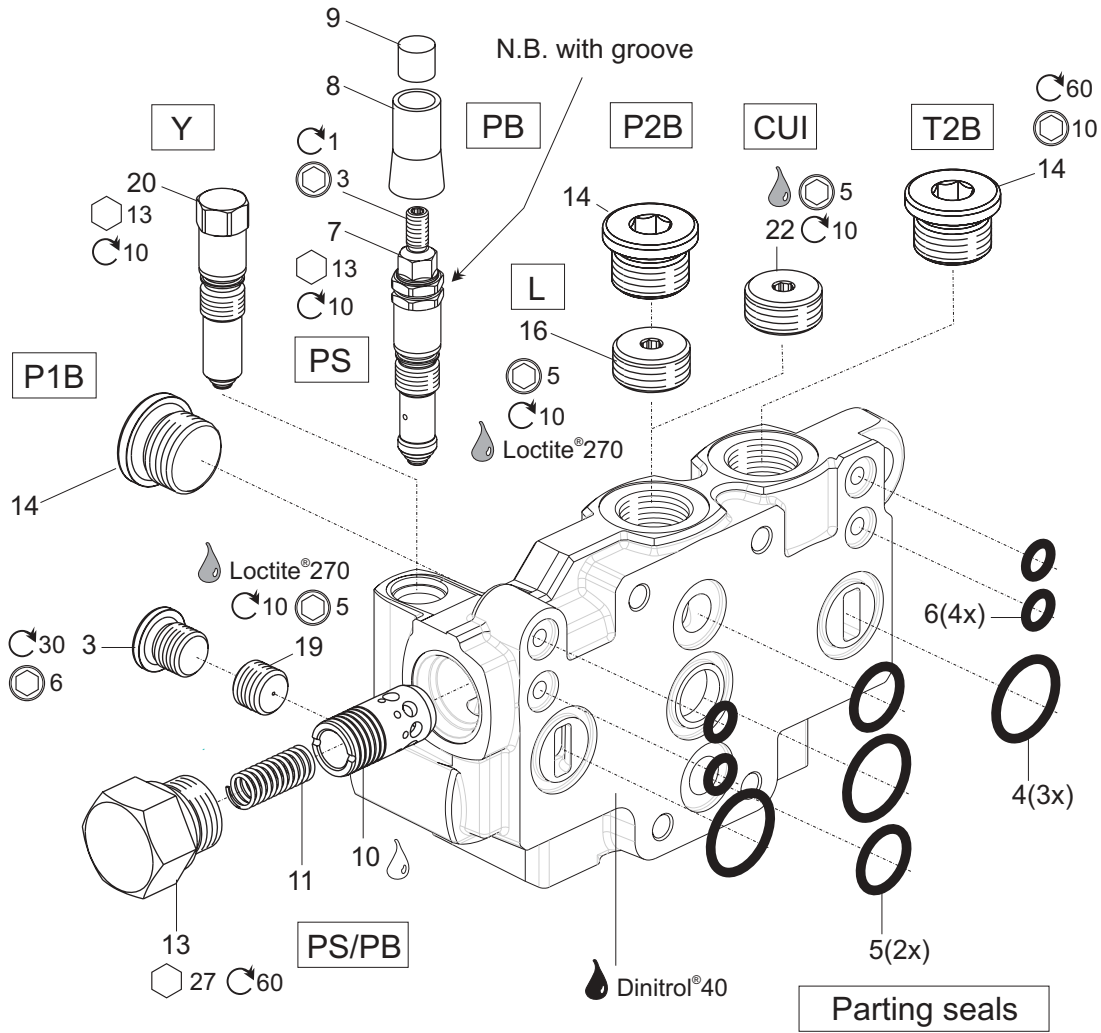
## Offer of Sale

Please contact your Parker representation for a detailed "Offer of Sale".

<b>List of contents</b>	<b>Page</b>
<b>Inlet options</b>	
Inlet I PB, PS, Y, P2B, L, T2B, CUI .....	4 - 5
Inlet IS, IU PB, PS, Y, BX, BEN, T2B .....	6 - 7
Mid - Inlet PS, PB, Y, C3, C5, C6 .....	8 - 9
<b>Outlet options</b>	
Outlet US S, ST, P3B, T3B, Tie-rods .....	10 - 11
Outlet USP S, YS, R, TP, TPC, MF .....	12 - 13
<b>Spool section options</b>	
Actuators open spool end, A-side LM, LU, PC, FPC .....	14 - 15
Actuators open spool end, B-side C, B2C, CB, PC, FPC, SI .....	16 - 17
Actuators open spool end, B-side ACE .....	18 - 19
Actuators open spool end, B-side ACP .....	20 - 21
Actuators open spool end, B-side TPOL .....	22 - 23
Actuators open spool end, A-side MP7, MP8 Joy-stick .....	24 - 25
Actuators closed spool end, CI, PCI, EC, ECH, SI .....	26 - 27
<b>Basic functions, spool section</b>	
N, X, PA, N2, X2, Y2 .....	28 - 29

**Inlet options**

Inlet I PB, PS, Y, P2B, L, T2B, CUI

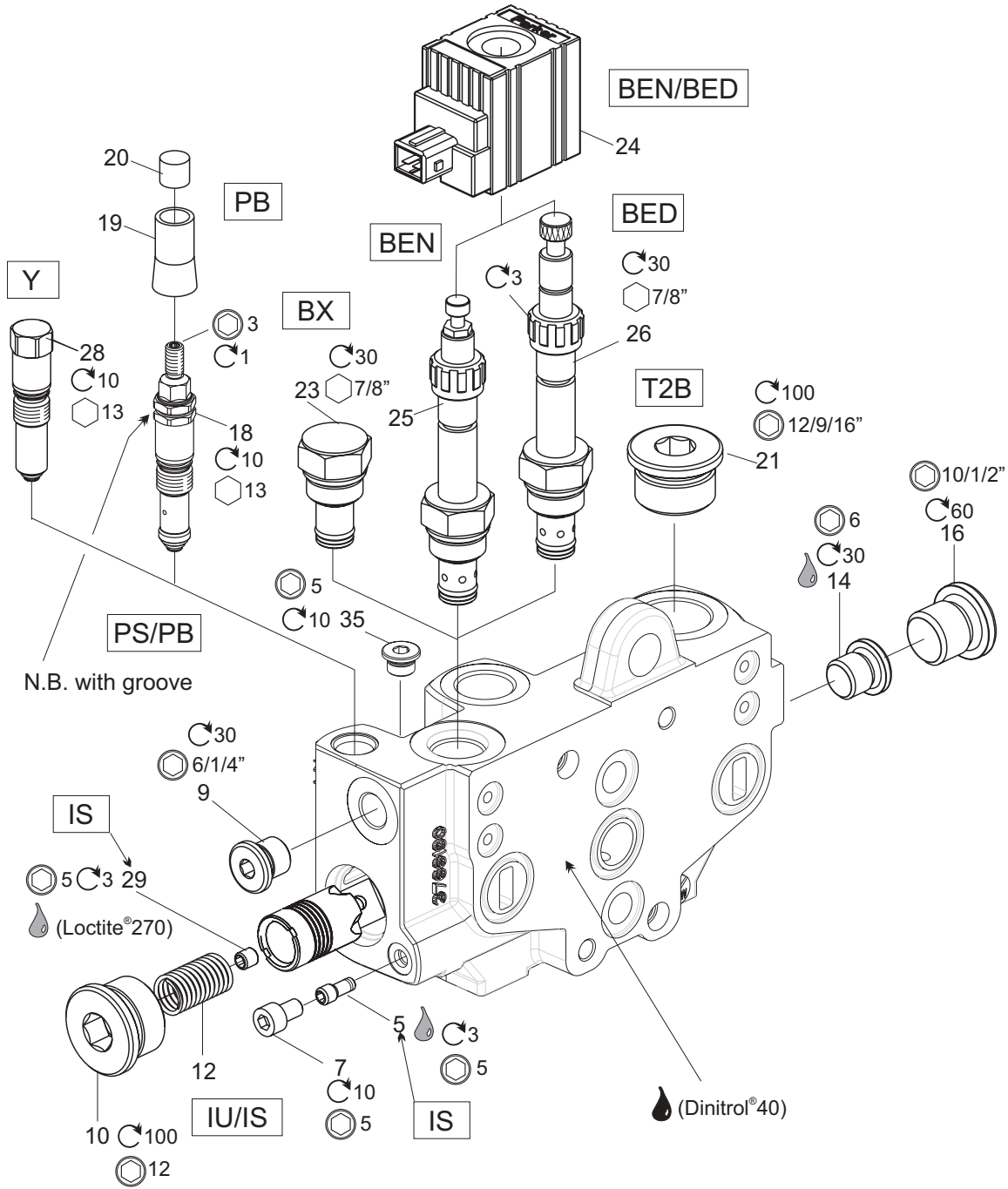


- |                             |                  |
|-----------------------------|------------------|
| = Locking/sealing fluid     | = Phillips screw |
| = Corrosion preventative    | = Slot screw     |
| = Lubricant/oil             | = Socket head    |
| = Tightening torque in Nm   | = Hexagon        |
| = Assembly/disassembly tool | = Greased        |



**Inlet options**

Inlet IS, IU PB, PS, Y, BX, BEN, T2B



⊕ = Socket head

⬡ = Hexagon

🖌️ = Greased

💧 = Locking/sealing fluid

👉 = Corrosion preventative

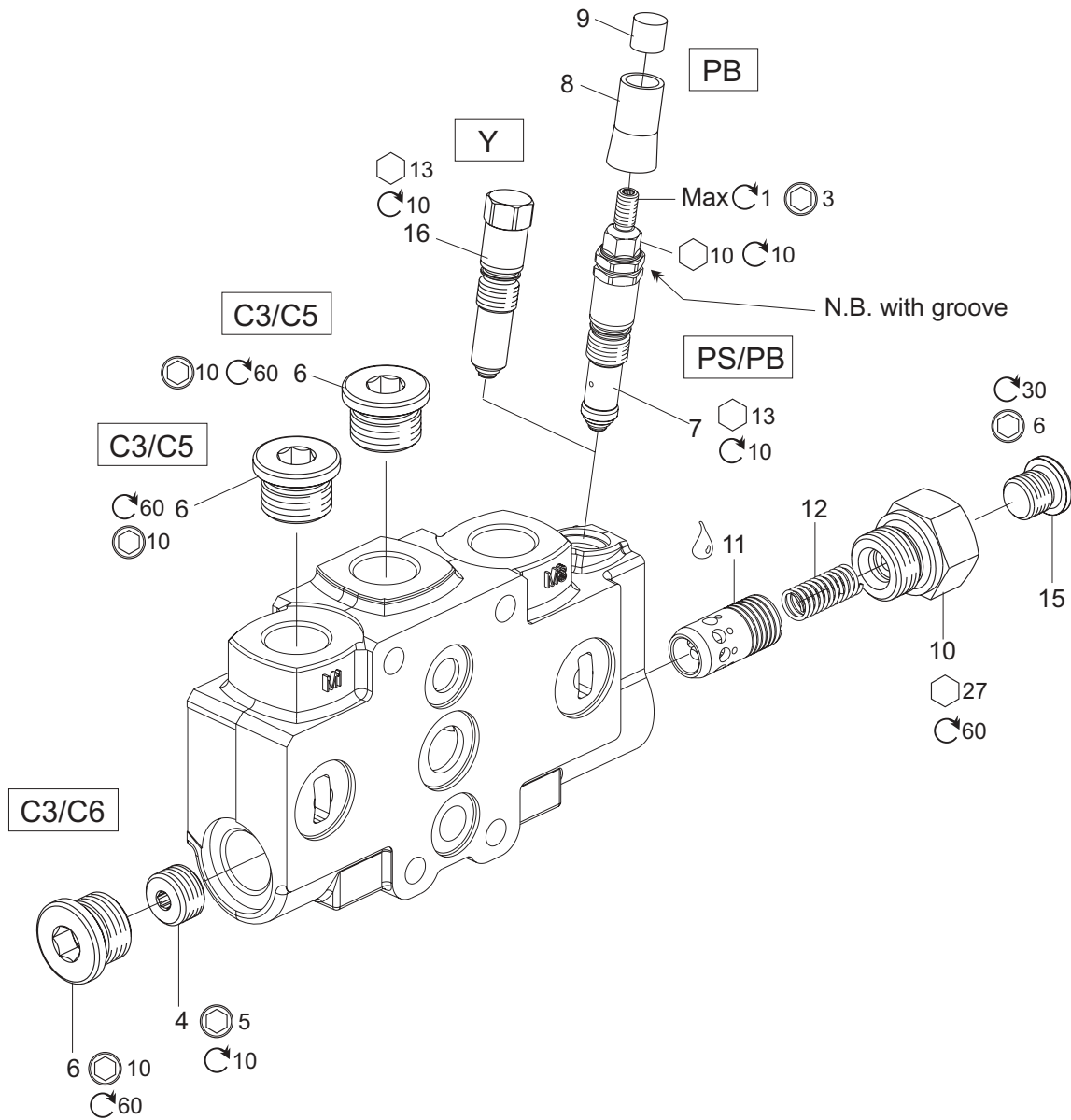
💧 = Lubricant/oil








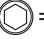
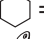

⌚ = Tightening torque in Nm



**Inlet options**

Mid - Inlet PS, PB, Y, C3, C5, C6



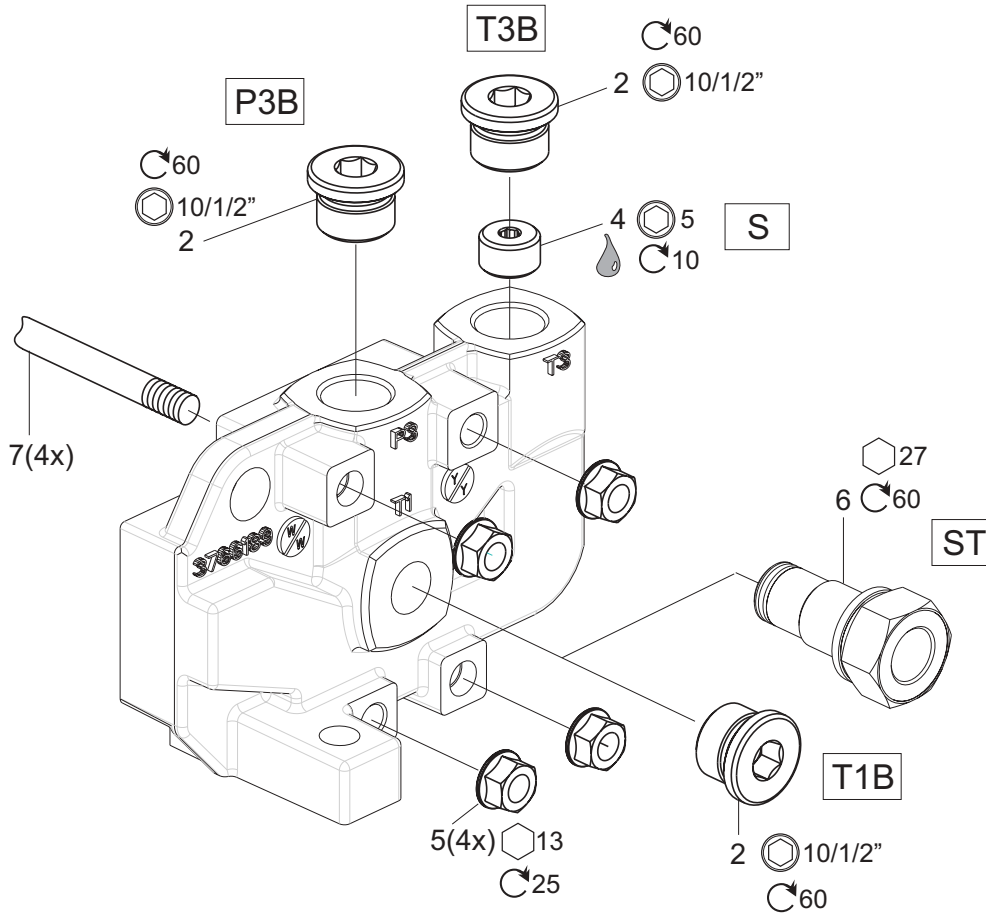
-  = Locking/sealing fluid
-  = Corrosion preventative
-  = Lubricant/oil
-  = Tightening torque in Nm
-  = Assembly/disassembly tool
-  = Phillips screw
-  = Slot screw
-  = Socket head
-  = Hexagon
-  = Greased







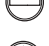
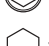






**Outlet options**

Outlet US S, ST, P3B, T3B, Tie-rods



-  = Locking/sealing fluid
-  = Corrosion preventative
-  = Lubricant/oil
-  = Tightening torque in Nm
-  = Assembly/disassembly tool
-  = Phillips screw
-  = Slot screw
-  = Socket head
-  = Hexagon
-  = Greased

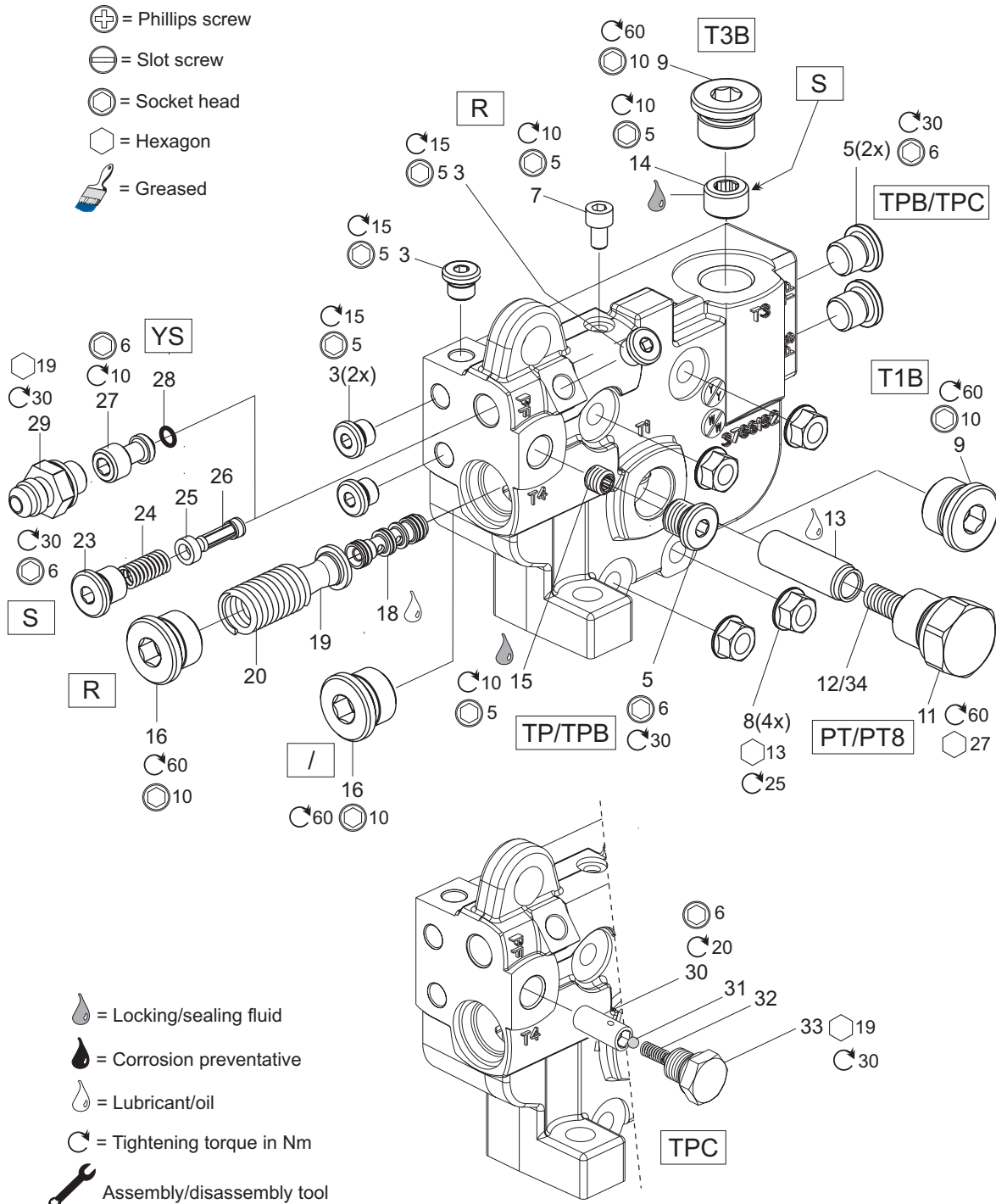


**Outlet Options**

**Spare Parts List  
Series P70**

**Outlet options**

Outlet USP S,YS,R,TP, MF



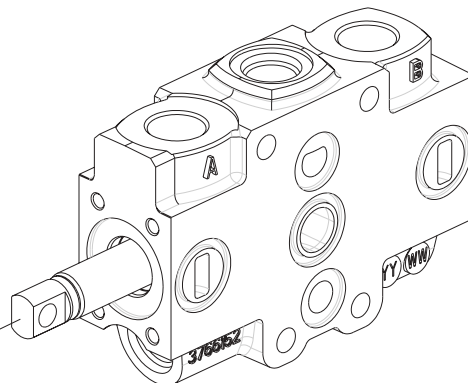
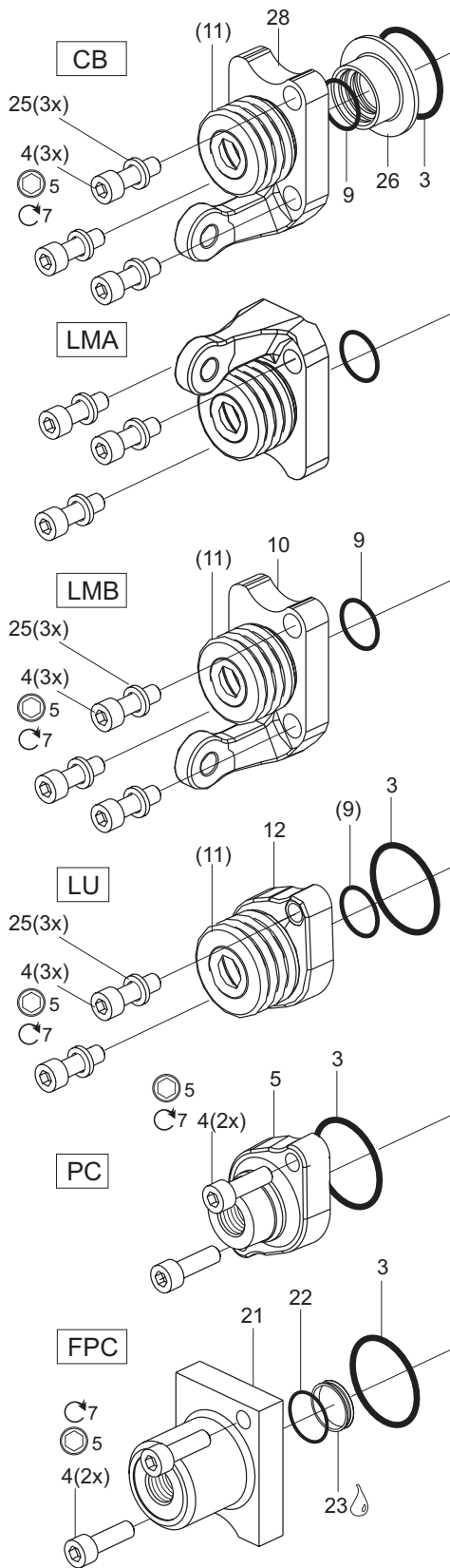
**Outlet Options**

**Spare Parts List  
Series P70**

<b>Code</b>	<b>Part#</b>	<b>Description</b>	<b>Remarks/Items</b>
<b>R35/R22</b>	398000K053	Pilot reducing valve	3, 7, 16, 19
<b>R35/R22</b>	9126436801	Reducer spool, Red	18
<b>R35/R22</b>	9126436802	Reducer spool, Green	18
<b>R35</b>	9127320014	Spring 35 bar	20
<b>R22</b>	3763020	Spring 22 bar	20
<b>S</b>	398000K054	Pilot supply strainer	23, 24, 25, 26
<b>YS</b>	398000K055	Connection for external strainer (BSP)	27, 28
<b>YS</b>	3766348	Connection UNF	29
<b>TP</b>	398000K075	Connection for separate pilot tank	15
<b>TPB</b>	398000K076	TP connection plugged BSP	5
<b>TPB</b>	398000K276	TP connection plugged UNF	5
<b>TPC</b>	301000K857	Internal pilot tank check valve, BSP	30, 31, 32, 33
<b>TPC</b>	398000K857	Internal pilot tank check valve, UNF	30, 31, 32, 33
<b>PT</b>	398000K050	Counter pressure valve 'BSP'	11, 12, 13
<b>PT</b>	398000K051	Counter pressure valve 'UNF'	11, 12, 13
<b>PT8</b>	398000K373	Counter pressure valve 'BSP'	11, 12, 34
<b>PT8</b>	398000K374	Counter pressure valve 'UNF'	11, 12, 34
<b>T1B/T3B</b>	398000K004	Connections plugged 'BSP'	9
<b>T1B/T3B</b>	398000K134	Connections plugged 'UNF'	9
<b>S</b>	3766657	Series connection plug	14

**Spool section options**

Actuators open spool end, A-side CB, LM, LU, PC, FPC








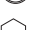




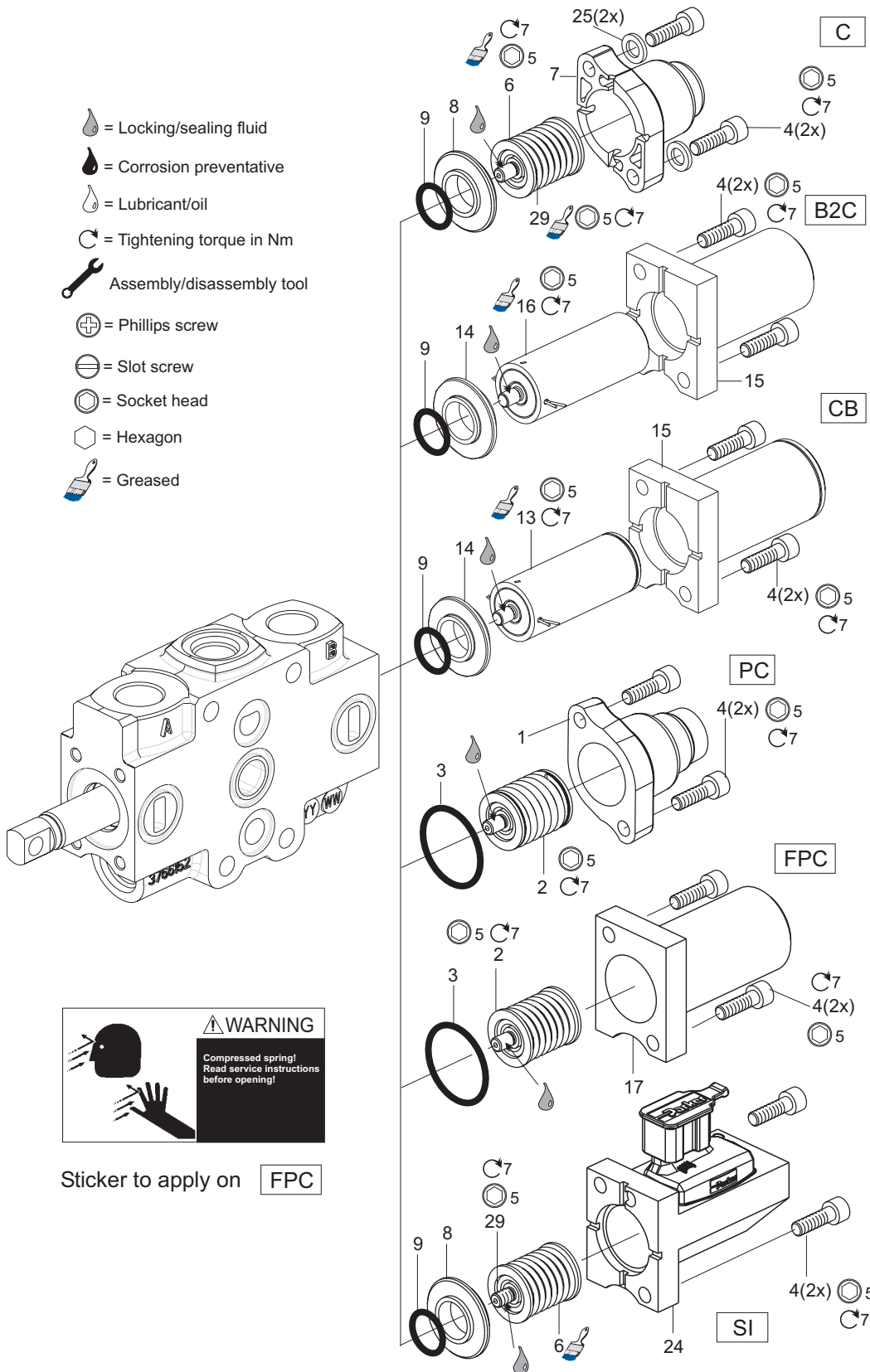
- = Locking/sealing fluid
- = Corrosion preventative
- = Lubricant/oil
- = Tightening torque in Nm
- = Assembly/disassembly tool
- = Phillips screw
- = Slot screw
- = Socket head
- = Hexagon
- = Greased



**Spool section options**

Actuators open spool end, B-side C, B2C, CB, PC, FPC, SI

-  = Locking/sealing fluid
-  = Corrosion preventative
-  = Lubricant/oil
-  = Tightening torque in Nm
-  Assembly/disassembly tool
-  = Phillips screw
-  = Slot screw
-  = Socket head
-  = Hexagon
-  = Greased

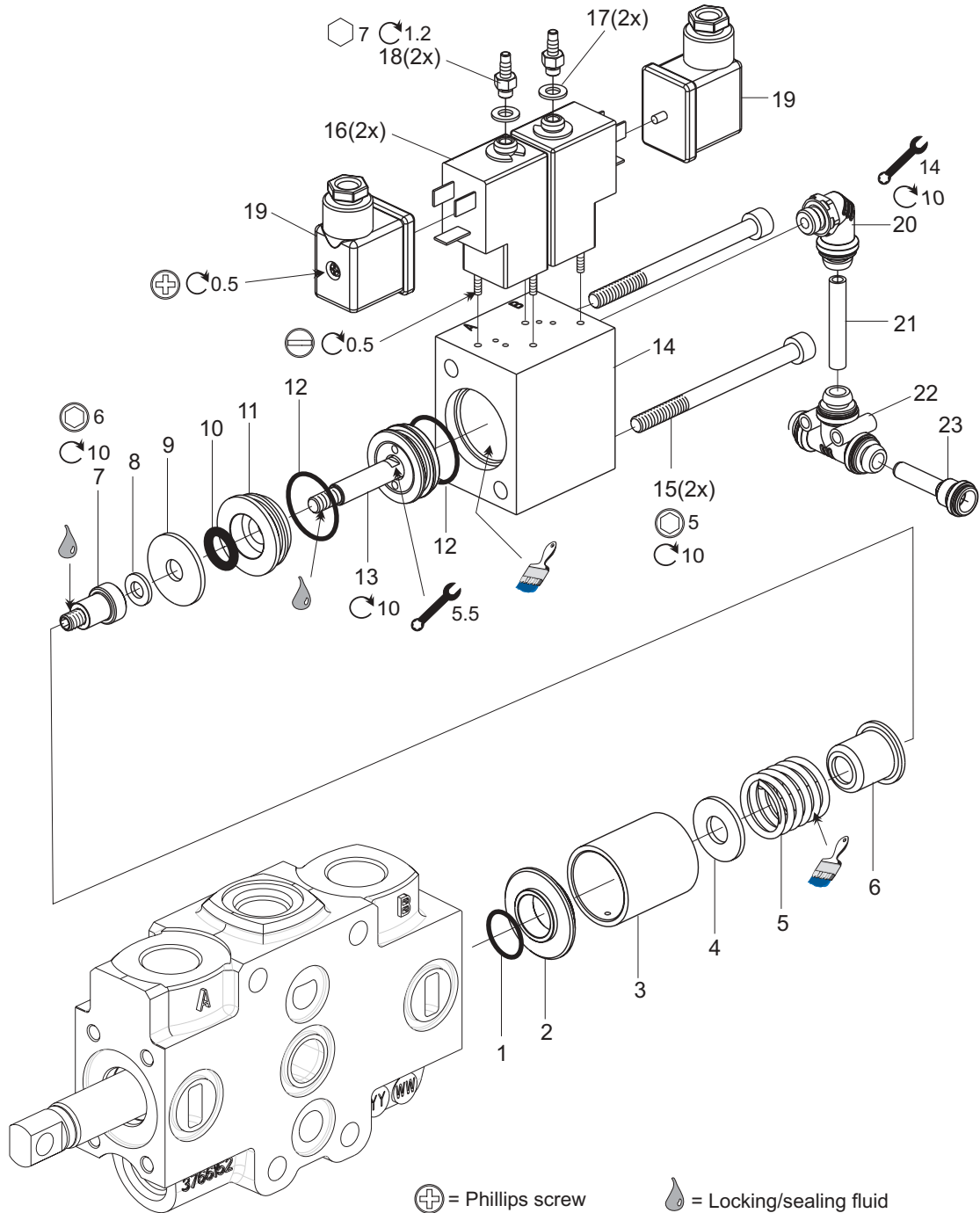




Code	Part#	Description	Remarks/Items
<b>C/C140</b>	398000K008	Spool actuator C/C140	4, 7, 8, 9, 25
<b>C</b>	3766294	Spring pack	6
C140	3767636	Spring pack	29
<b>B2C</b>	398000K059	Spool actuator B2C	4, 9, 14, 15
<b>(B2C)</b>	3767677	Spring/detent pack	16
<b>CB</b>	398000K060	Spool actuator CB	4, 9, 14, 15
<b>(CB)</b>	3767678	Spring/detent pack	13
-	398000K805	Seal kit C, B2C, CB	3, 9(2x), 11
<b>PC(B)</b>	398000K201	PC cap kit B-side 'BSP'	1, 3, 4
<b>PC(B)</b>	398000K181	PC cap kit B-side 'UNF'	1, 3, 4
<b>PC(B)</b>	3766293	Spring pack, PC	2
<b>FPC</b>	398000K167	Spool actuator FPC, B-side, 'BSP'	2, 3, 4, 17
<b>FPC</b>	398000K367	Spool actuator FPC, B-side, 'UNF'	2, 3, 4, 17
<b>(FPC)</b>	3766293	Spring/detent pack	2
-	398000K806	Seal kit PC, FPC	3(2x), 22, 23
<b>SI</b>	398000K204	Spool actuator C, position sensing	4, 9, 8, 24
<b>(SIC)</b>	3766294	Spring pack	6
<b>(SIC140)</b>	3767636	Spring pack	29

**Spool section options**

Actuators open spool end, B-side ACE

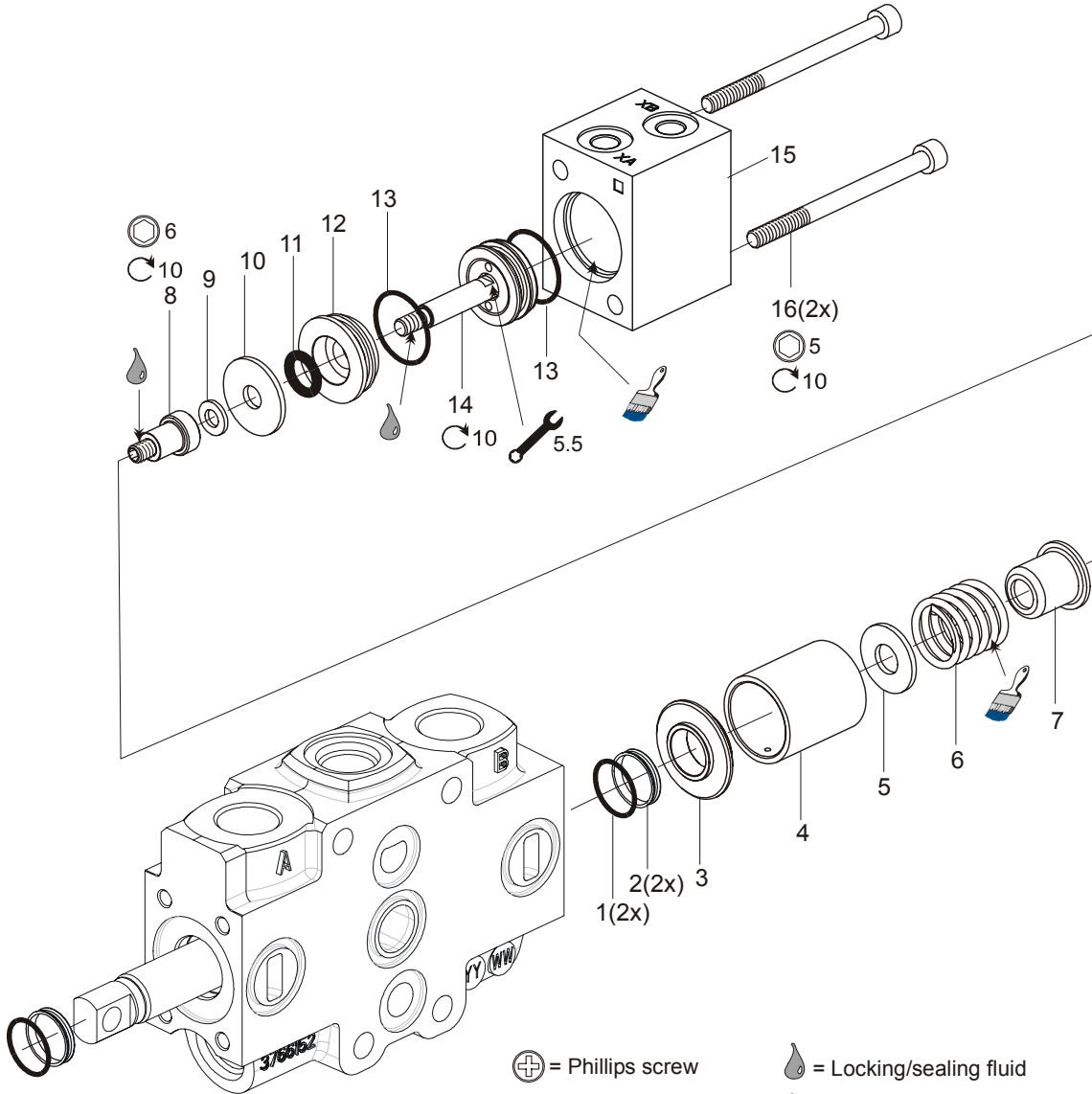


- |                      |                                    |
|----------------------|------------------------------------|
| ⊕ = Phillips screw   | 💧 = Locking/sealing fluid          |
| ⊖ = Slot screw       | ⚡ = Corrosion preventative         |
| ⊙ = Socket head (mm) | 🛢️ = Lubricant/oil                 |
| ⬡ = Hexagon (mm)     | ⌚ = Tightening torque in Nm        |
| 🖌️ = Greased         | 🔧 = Assembly/disassembly tool (mm) |

Code	Part#	Description	Remarks/Items
ACE	398000K058	Spool actuator ACE	1 - 15
(ACE)	398000K062	Spring kit for ACE actuator	1, 2, 4, 5, 6, 7
(ACE)	398000K063	Cylinder kit for ACE actuator	3, 8, 9, 10, 11, 12, 13
(ACE)	398000K064	Cylinder housing ACE	14, 15
(ACE)	393000K808	Seal kit ACE	1, 10, 12
(ACE)	9123958812	Solenoid valve ACE, 12 VDC	16(17, 18, 19)
(ACE)	9123958824	Solenoid valve ACE, 24 VDC	16(17, 18, 19)
(ACE)	91259551	Connector kit	19 (for 1 solenoid)
(ACE)	9125955110	Connector kit	19 (for 10 solenoids)
(ACE)	9125955125	Connector kit	19 (for 25 solenoids)
(ACE)	9125955150	Connector kit	19 (for 50 solenoids)
(ACE)	9125955199	Connector kit	19 (for 100 solenoids)
(ACE)	3766415	Connector, inlet	20 (Parker # P6F-BEAA146)
(ACE)	3766417	Tube, ø 6 (L=35 mm)	21 (Parker # P6T-PN06100)
(ACE)	3766416	Connector, intermediate	22 (Parker # P6F-BTS46)
(ACE)	3766418	End plug	23 (Parker # P6F-BVP46)

**Spool section options**

Actuators open spool end, B-side ACP



⊕ = Phillips screw

⊖ = Slot screw

⊙ = Socket head (mm)

⬡ = Hexagon (mm)

= Greased

= Locking/sealing fluid

= Corrosion preventative

= Lubricant/oil

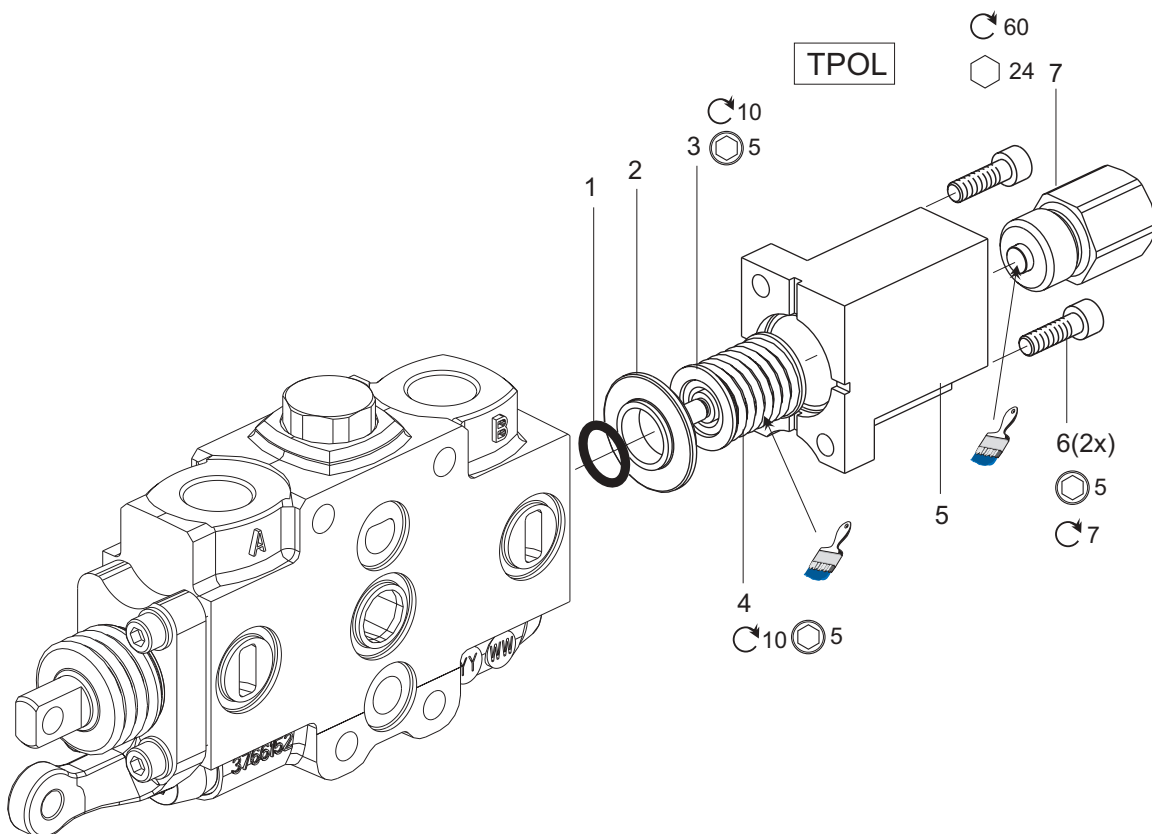
⌚ = Tightening torque in Nm

= Assembly/disassembly tool (mm)

Code	Part#	Description	Remarks/Items
ACP	398000K292	Spool actuator ACP, BSP	1 - 16
ACP	398000K296	Spool actuator ACP, NPTF	1 - 16
(ACP)	398000K293	Spring kit for ACP actuator	1, 2, 3, 5, 6, 7, 8
(ACP)	398000K294	Cylinder kit for ACP actuator, BSP	4, 9, 10, 14(11, 12, 13), 15, 16
(ACP)	398000K297	Cylinder kit for ACP actuator, NPTF	4, 9, 10, 14(11, 12, 13), 15, 16
(ACP)	398000K295	Cylinder housing ACP, BSP	15, 16
(ACP)	398000K298	Cylinder housing ACP, NPTF	15, 16
(ACP)	9120079115	Seal kit ACP	1, 2, 11, 13

**Spool section options**

Actuators open spool end, B-side TPOL



= Socket head

= Hexagon

= Greased

= Locking/sealing fluid

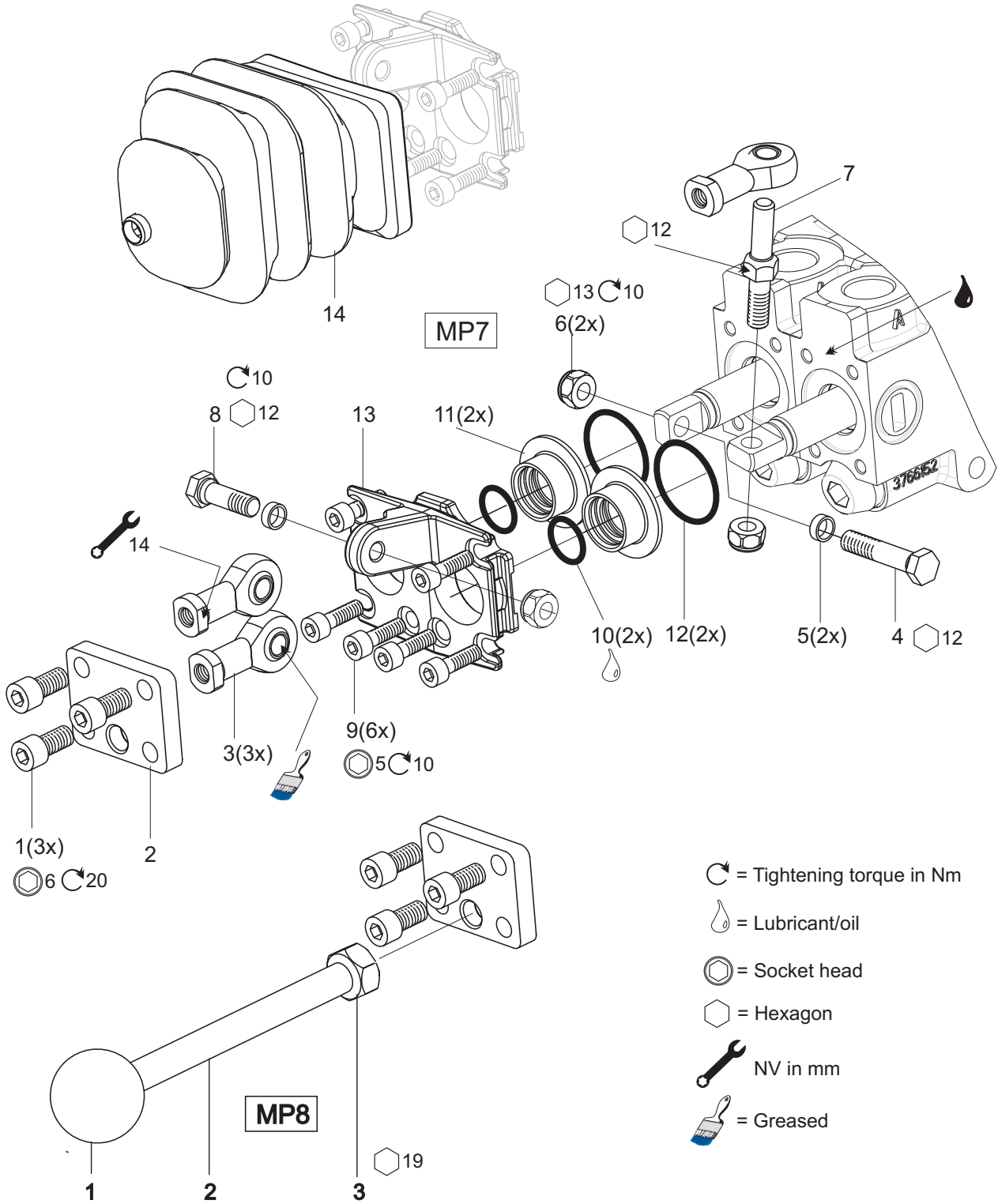
= Corrosion preventative

= Tightening torque in Nm



**Spool section options**

Actuators open spool end, A-side MP7, MP8 Joy-stick

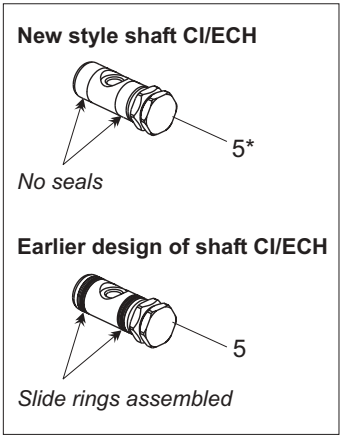
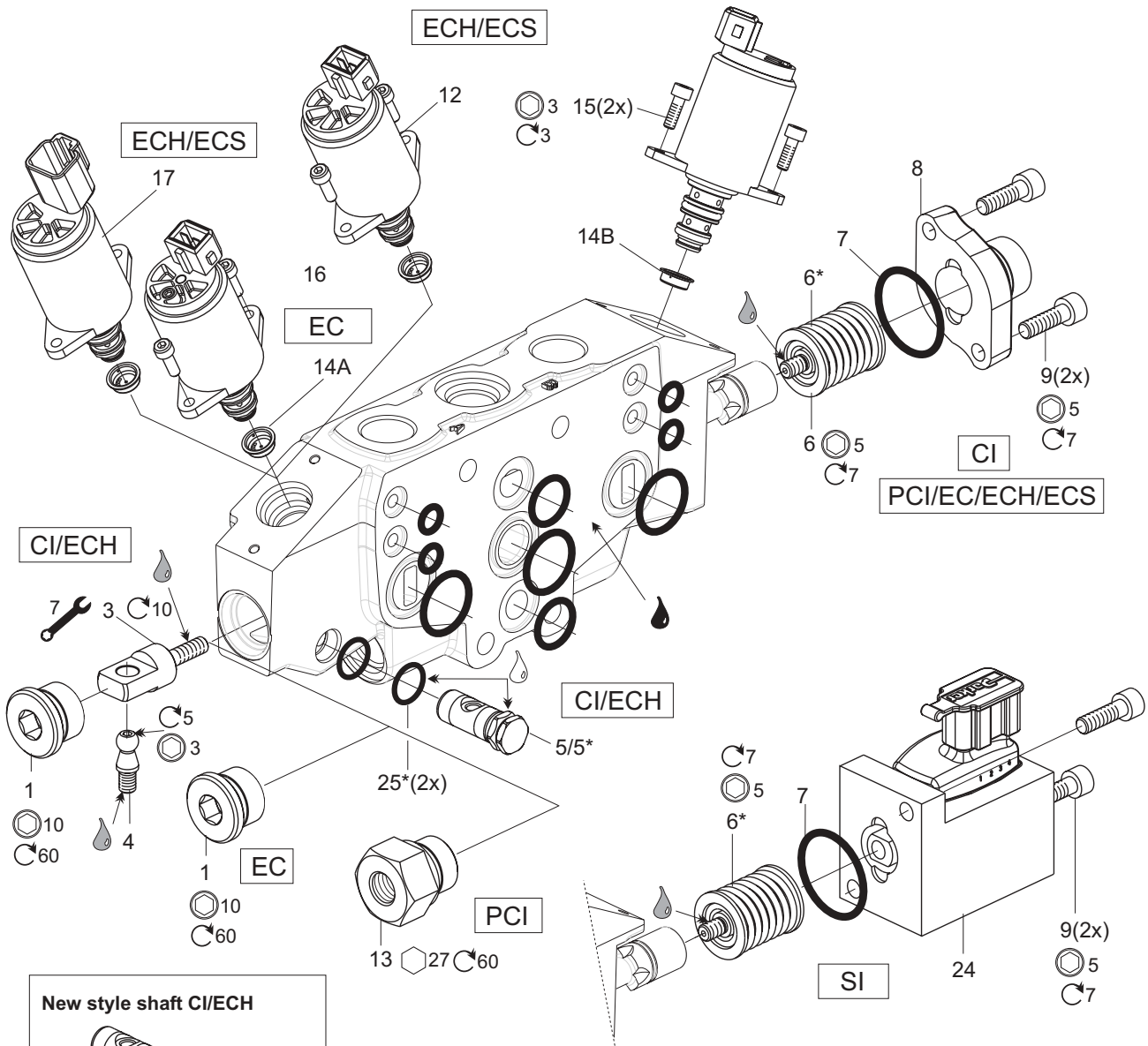




Code	Part#	Description	Remarks/Items
<b>MP7</b>	8234939027	Joy-stick actuator MP7	1 - 14
<b>(MP7)</b>	0211132203	Screw	1
<b>(MP7)</b>	3766 880	Bracket plate	2
<b>(MP7)</b>	9126172603	Ball joint	3
<b>(MP7)</b>	3763 405	Screw	4
<b>(MP7)</b>	3763 404	Washer	5
<b>(MP7)</b>	3763 413	Nut	6
<b>(MP7)</b>	3763 403	Shaft	7
<b>(MP7)</b>	3767154	Bolt	8
<b>(MP7)</b>	0211124703	Screw	9
<b>(MP7)</b>	06632122	O-ring	10
<b>(MP7)</b>	3767149	Sleeve	11
<b>(MP7)</b>	06639114	O-ring	12
<b>(MP7)</b>	3767148	Bracket	13
<b>(MP7)</b>	3767166	Bellows	14
<b>MP8</b>	8234939028	Handle MP8	1, 2, 3
<b>(MP8)</b>	91259049	Handle ball	1
<b>(MP8)</b>	3767289	Lever stem	2
<b>(MP8)</b>	02662112	Nut	3

**Spool section options**

Actuators closed spool end, CI, PCI, EC, ECH

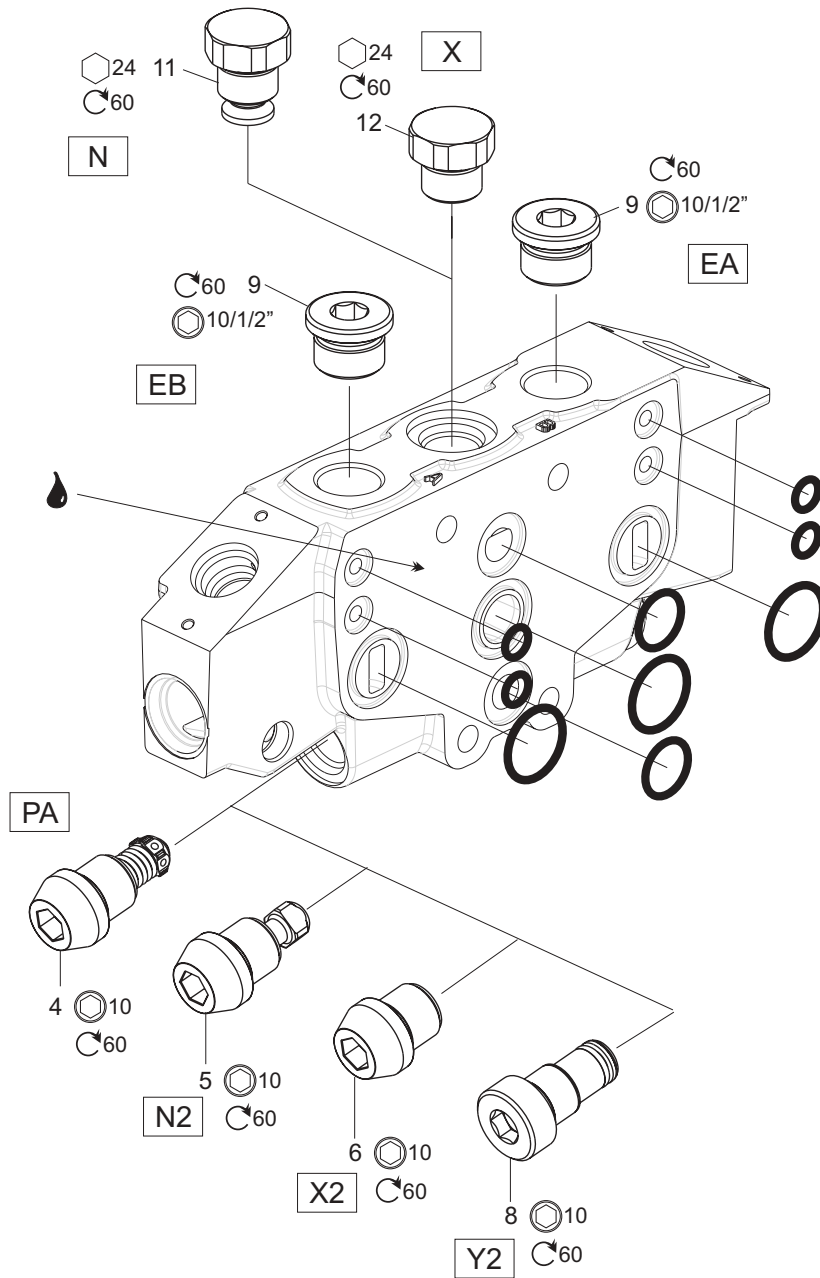










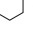
- = Locking/sealing fluid
- = Corrosion preventative
- = Lubricant/oil
- = Tightening torque in Nm
- = Assembly/disassembly tool
- = Phillips screw
- = Slot screw
- = Socket head (mm)
- = Hexagon (mm)

Code	Part#	Description	Remarks/Items
<b>CI/ECH</b>	398000K072	Spool actuator CI/ECH A-side	1, 3, 4, 5 Valves until serial number 0420xxxxxxx
	3767914	Shaft CI/ECH with seals assembled	5
<b>CI/ECH</b>	398000K172	Spool actuator CI/ECH A-side	1, 3, 4, 5*, 25* Valves from serial no. 0421xxxxxxx
	398000K173	Shaft CI/ECH, no seals	5*, 25* (O-rings mounted to grooves in cavity)
<b>CI/ECH</b>	398000K272	Spool actuator CI/ECH B-side, BSP	7, 8, 9
<b>CI/ECH</b>	398000K472	Spool actuator CI/ECH B-side, UNF	7, 8, 9
<b>CI</b>	3766294	Spring pack CI	6
<b>SI/EC/ECH</b>	398000K205	Actuator EC/ECH w. position sensing	6*, 7, 9, 24
<b>EC/ECH</b>	3766293	Spring pack EC, ECH	6*
<b>PCI</b>	398000K372	Spool actuator PCI B-side, BSP	7, 8, 9
<b>PCI</b>	398000K672	Spool actuator PCI B-side, UNF	7, 8, 9
<b>PCI/EC/ECH</b>	3766293	Spring pack PCI, EC, ECH	6*
<b>CI/ECH</b>	398000K803	Seal kit	5, 7
<b>EC</b>	398000K061	Plug EC, A-side	1, 2
<b>PCI</b>	398000K108	Connection PCI, A-side, BSP	2, 13
<b>PCI</b>	398000K308	Connection PCI, A-side, UNF	2, 13
<b>EC</b>	393000M012	Solenoid valve PVC25, 12VDC	16 With air-bleed and manual override, AMP
<b>EC</b>	393000M024	Solenoid valve PVC25, 24VDC	16 With air-bleed and manual override, AMP
<b>ECH/ECS</b>	393000N012	Solenoid valve PVC25, 12 VDC	12 No air-bleed, no manual override, AMP
<b>ECH/ECS</b>	393000N024	Solenoid valve PVC25, 24 VDC	12 No air-bleed, no manual override, AMP
<b>ECH/ECS</b>	393000D012	Solenoid valve PVC25, 12 VDC	17 No air-bleed, no manual override, Deutsch
<b>ECH/ECS</b>	393000D024	Solenoid valve PVC25, 24 VDC	17 No air-bleed, no manual override, Deutsch
-	393000K813	Seal kit for PVC25	
-	393000K822	Connector kit AMP (for 1 PVC25)	
-	393000K825	Connector kit AMP (for 10 PVC25)	
<b>PVC</b>	3763308	Pilot restriction ø3.0	14, (Mounted on solenoids as spare part only, no damping function.)
<b>PVC</b>	3762399	Pilot restriction ø1.2, mark: 5 dots	14, "0" - Low damping
<b>PVC</b>	3762910	Pilot restriction ø0.9, mark: 10 dots	14, "N" - Normal damping (Std)
<b>PVC</b>	3762396	Pilot restriction ø0.6, mark: 2 dots	14, "H" - Hard damping

**Basic functions, spool section**

N, X, PA, N2, X2, Y2



-  = Locking/sealing fluid
-  = Corrosion preventative
-  = Lubricant/oil
-  = Tightening torque in Nm
-  = Assembly/disassembly tool
-  = Phillips screw
-  = Slot screw
-  = Socket head
-  = Hexagon

Code	Part#	Description	Remarks/Items		
N	398000K011	Supply check valve	11		
X	398000K012	Cavity plugged (without check valve)	12		
EA/EB	398000K004	Plug in service port, 'BSP'	9		
EA/EB	398000K134	Plug in service port, 'UNF'	9		
N2	393000K194	Load hold check valve	5		
X2	393000K193	Cavity plugged (without check valve)	6		
Y2	393000K195	Cavity plugged	8		
Y2	393000K818	Seal kit Y2			
PA	Part # std	Part # A003	Part # A007	Description	Remarks/Items
PA		398000K208		PLC053-32-10	PLC053-BAR-at 10 l/min, Item 4
PA		398000K209		PLC053-40-10	
PA	393000K176	398000K301	393000K558	PLC053- 50-10	(P70CF/Std = L90LS/Std)
PA	393000K177		393000K559	PLC053- 63-10	(P70CF/A007 = L90LS/A005)
PA	393000K178	398000K210	393000K560	PLC053- 80-10	
PA	393000K179	398000K211	393000K561	PLC053-100-10	
PA		398000K318		PLC053-120-10	
PA	393000K180	398000K271	393000K562	PLC053-125-10	
PA	393000K181		393000K563	PLC053-140-10	
PA	393000K182		393000K564	PLC053-160-10	
PA		398000K319		PLC053-170-10	
PA	393000K183		393000K565	PLC053-175-10	
PA	393000K184		393000K566	PLC053-190-10	
PA	393000K185	398000K212	393000K567	PLC053-210-10	
PA	393000K186		393000K568	PLC053-230-10	
PA	393000K134		398000K249	PLC053-240-10	
PA	393000K187		393000K569	PLC053-250-10	
PA	393000K188		393000K570	PLC053-260-10	
PA	393000K189		393000K571	PLC053-280-10	
PA	393000K190		393000K572	PLC053-300-10	
PA	393000K191		393000K573	PLC053-320-10	
PA	393000K192		393000K574	PLC053-350-10	

# Hydraulics Group Sales Offices

## Europe

**Austria**  
**Wiener Neustadt**  
Tel: +43 (0)2622 23501  
Fax: +43 (0)2622 66212

**Belgium**  
**Nivelles**  
Tel: +32 (0)67 280 900  
Fax: +32 (0)67 280 999

**Czech Republic**  
**Prague**  
Tel: +420 2 830 85 221  
Fax: +420 2 830 85 360

**Denmark**  
**Ballerup**  
Tel: +45 4356 0400  
Fax: +45 4373 8431

**Finland**  
**Vantaa**  
Tel: +358 (0)9 4767 31  
Fax: +358 (0)9 4767 3200

**France**  
**Contamine-sur-Arve**  
Tel: +33 (0)450 25 80 25  
Fax: +33 (0)450 03 67 37

**Germany**  
**Kaarst**  
Tel: +49 (0)2131 4016 0  
Fax: +49 (0)2131 4016 9199

**Hungary**  
**Budapest**  
Tel: +36 (06)1 220 4155  
Fax: +36 (06)1 422 1525

**Ireland**  
**Dublin**  
Tel: +353 (0)1 293 9999  
Fax: +353 (0)1 293 9900

**Italy**  
**Corsico (MI)**  
Tel: +39 02 45 19 21  
Fax: +39 02 4 47 93 40

**The Netherlands**  
**Oldenzaal**  
Tel: +31 (0)541 585000  
Fax: +31 (0)541 585459

**Norway**  
**Ski**  
Tel: +47 64 91 10 00  
Fax: +47 64 91 10 90

**Poland**  
**Warsaw**  
Tel: +48 (0)22 863 49 42  
Fax: +48 (0)22 863 49 44

**Portugal**  
**Leca da Palmeira**  
Tel: +351 22 9997 360  
Fax: +351 22 9961 527

**Slovakia**  
*Ref. Czech Republic*

**Spain**  
**Madrid**  
Tel: +34 91 675 73 00  
Fax: +34 91 675 77 11

**Sweden**  
**Spånga**  
Tel: +46 (0)8 597 950 00  
Fax: +46 (0)8 597 951 10

**United Kingdom**  
**Warwick**  
Tel: +44 (0)1926 317 878  
Fax: +44 (0)1926 317 855

## International

**Australia**  
**Castle Hill**  
Tel: +61 (0)2-9634 7777  
Fax: +61 (0)2-9899 6184

**Canada**  
**Milton, Ontario**  
Tel: +1 905-693-3000  
Fax: +1 905-876-0788

**China**  
**Beijing**  
Tel: +86 10 6561 0520  
Fax: +86 10 6561 0526

**Asia Pacific Group**  
**Hong Kong, Kowloon**  
Tel: +852 2428 8008  
Fax: +852 2425 6896

**India**  
**Mumbai**  
Tel: +91 22 7907081  
Fax: +91 22 7907080

**Japan**  
**Tokyo**  
Tel: +(81) 3 6408 3900  
Fax: +(81) 3 5449 7201

**Latin America Group**  
**Brazil**  
Tel: +55 12 3954-5100  
Fax: +55 12 3954-5266

**South Africa**  
**Kempton Park**  
Tel: +27 (0)11-961 0700  
Fax: +27 (0)11-392 7213

**USA**  
**Cleveland (industrial)**  
Tel: +1 216-896-3000  
Fax: +1 216-896-4031  
**Lincolnshire (mobile)**  
Tel: +1 847-821-1500  
Fax: +1 847-821-7600

**Parker Hannifin is the world's premier supplier of motion and control systems and solutions, with sales and manufacturing facilities throughout the world. For product information and details of your nearest Parker sales office, visit us at [www.parker.com/euro\\_mcd](http://www.parker.com/euro_mcd) or call free on 00800 2727 5374.**

Publication No HY17-8810/UK



© Copyright 2004  
Parker Hannifin Corporation  
All rights reserved.