



Visit our homepage  
for additional support  
[parker.com/pmde](http://parker.com/pmde)

Bulletin MSG30-5511-M1/UK

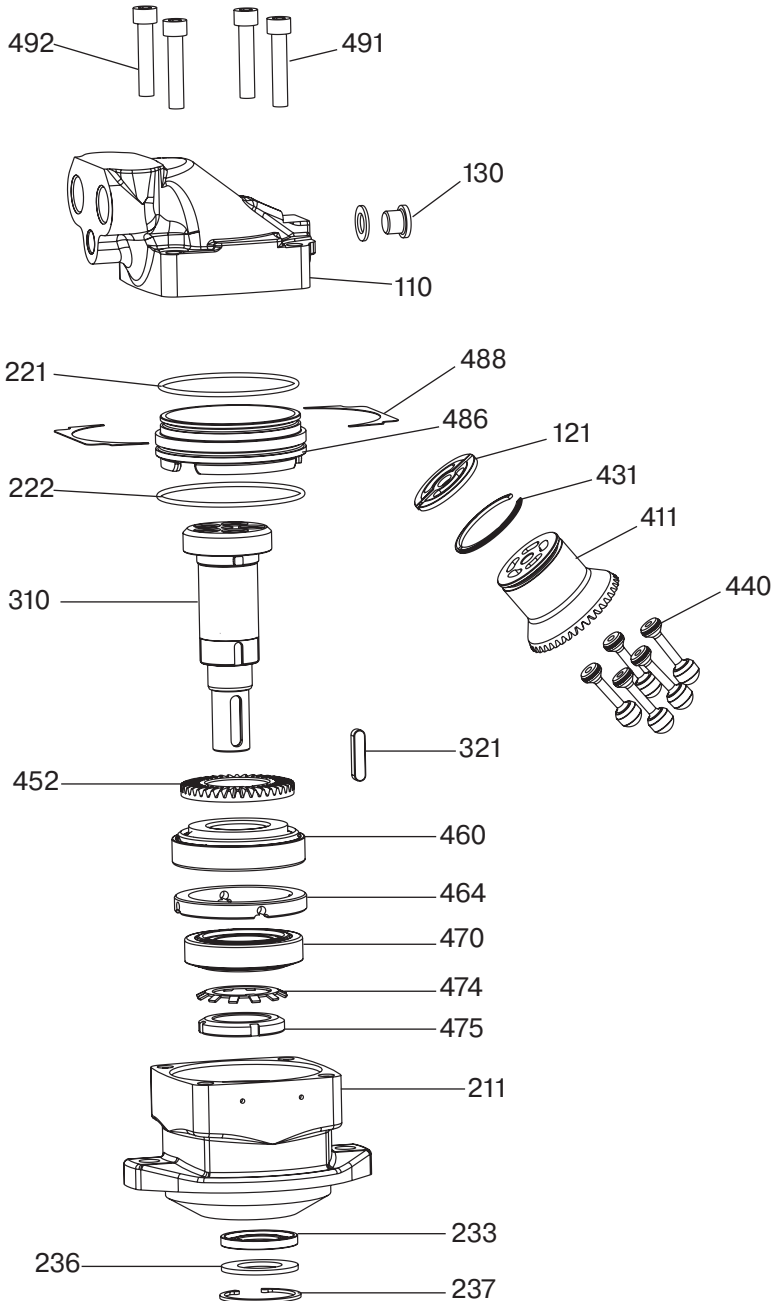
## Spare Parts Series F11

---

Effective: February, 2022  
Supersedes: May 01, 2021



ENGINEERING YOUR SUCCESS.



Pos	Part No	Description	Qty	Remarks
<b>Housing parts</b>				
110	3795133	Barrel Housing Assy Type B	1	Require item 130
130		Hex Socket Plug Assy BSP	1	VSTI3/8EDVITCF
211	3700905	Bearing Housing Type C	1	
486	3783044	Guide Spacer	1	
<b>Rotating parts</b>				
310	3796083	Shaft Assy type D	1	
310	3796080	Shaft Assy type K	1	Require item 321
310	3785221	Shaft Assy type S	1	
321	3724441*	Flat Key type K	1	
452	3795832	Ring Gear	1	

### For other parts please contact Parker Hannifin

#### Seal kits

3783269 Sealing kit type V FPM

#### Repair Spare part Kit

3723956 Type M (Motor)

#### Bearing spare part kit

3723968 Bearing kit

#### Shim kit

3721346 Shims kit 0,8 mm

#### Seal kit contain:

O-rings pos: 221, 222

Shaft seal pos: 233

Back-up Ring pos: 236

Retaining rings pos: 237

#### Repair spare part kit contain:

Valve plate pos: 121

Cylinder Barrel pos: 411

Barrel Retaining Ring pos: 431

Pistons pos: 440 (5 pcs)

Hex Screws pos: 491, 492 (4 pcs)

#### Bearing spare part kit contain:

Tap Rol Bearing pos: 460, 470

Lock washer pos: 474

Round nut pos: 475

#### Shim kit contain:

Shims pos: 488 (1 pcs on each side)

\*Kit contain 100 pcs