



Visit our homepage
for additional support
parker.com/pmde

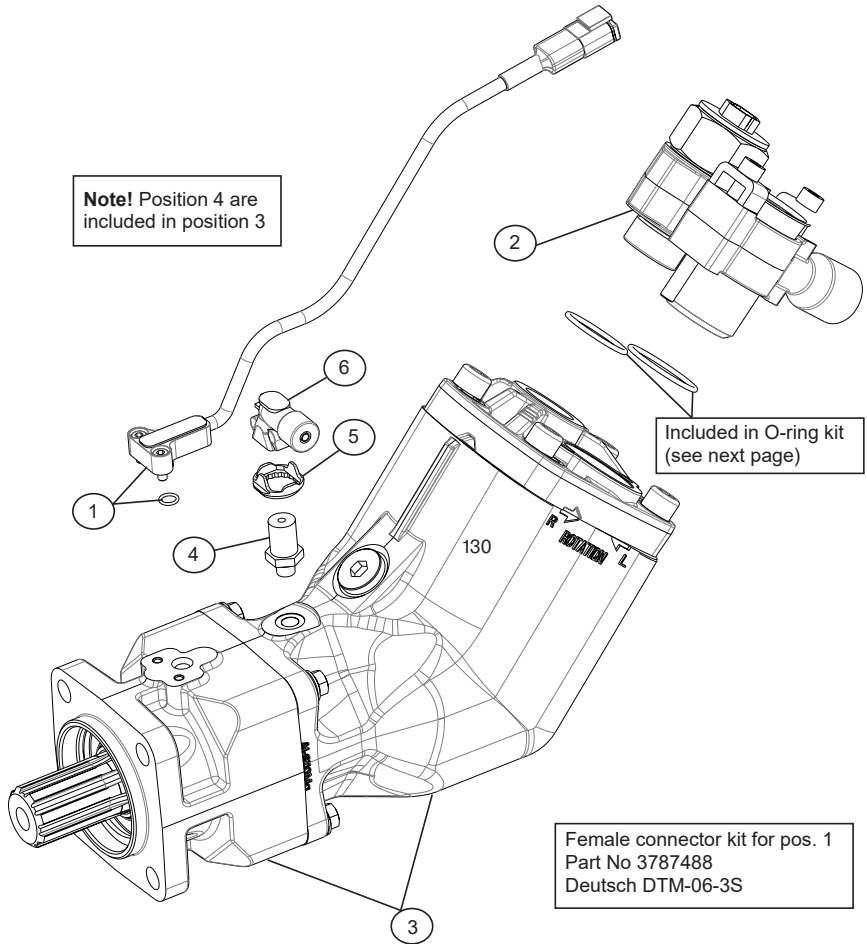
MSG30-5522-M1/UK

Spare Parts Series F3

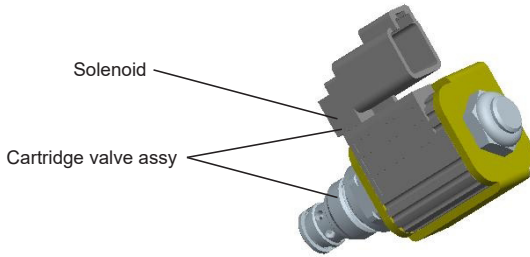
Effective: July 10, 2021
Supersedes: October, 2020



ENGINEERING YOUR SUCCESS.

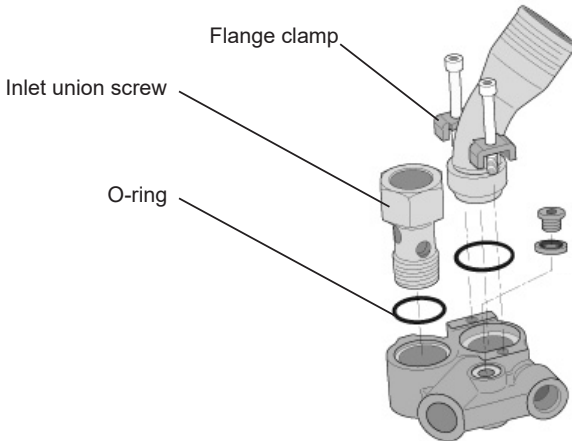


Pos	Part No.	Description	Remarks
1	3789344	Inductive sensor	
2	3787203	By-pass valve 24V	
2	3787204	By-pass valve 12V	
3	3721790	F3-081-R without BPV	
3	3721791	F3-081-L without BPV	
3	3721792	F3-101-R without BPV	
3	3721793	F3-101-L without BPV	
4	3723608	Swivel with restrictor	included in position 3
5	3784617	Lockring	
6	3784618	Air connection	



Female connector kit
 Part No 3787488

Part No.	Description	Remarks
3787496	Solenoid 24 V	Incl. new connector
3787497	Solenoid 12 V	Incl. new connector
3787494	Cartridge valve assy 24 V	
3787495	Cartridge valve assy 12 V	
3785948	Nut for cartridge valve	



Part No.	Description	Remarks
3781094	Inlet union screw	F1/F3-81, -101
3780641	O-ring kit	For F1, F2 and F3 (all sizes)
3782439	Flange clamp kit	For BPV F1, F2 and F3

Declaration

Position notification regarding Machinery Directive 2006/42/EC:

Products made by the Pump & Motor Division Europe (PMDE) of Parker Hannifin are excluded from the scope of the machinery directive following the "Cetop" Position Paper on the implementation of the Machinery Directive 2006/42/EC in the Fluid Power Industry.

All PMDE products are designed and manufactured considering the basic as well as the proven safety principles according to:

- ISO 13849-1:2015
- SS-EN ISO 4413:2010

so that the machines in which the products are incorporated meet the essential health and safety requirements.

Confirmations for components to be proven component, e.g. for validation of hydraulic systems, can only be provided after an analysis of the specific application, as the fact to be a proven component mainly depends on the specific application.

Dr. Hans Haas

General Manger

Pump & Motor Division Europe



WARNING – USER RESPONSIBILITY

FAILURE OR IMPROPER SELECTION OR IMPROPER USE OF THE PRODUCTS DESCRIBED HEREIN OR RELATED ITEMS CAN CAUSE DEATH, PERSONAL INJURY AND PROPERTY DAMAGE.

This document and other information from Parker-Hannifin Corporation, its subsidiaries and authorized distributors provide product or system options for further investigation by users having technical expertise.

The user, through its own analysis and testing, is solely responsible for making the final selection of the system and components and assuring that all performance, endurance, maintenance, safety and warning requirements of the application are met. The user must analyze all aspects of the application, follow applicable industry standards, and follow the information concerning the product in the current product catalogue and in any other materials provided from Parker or its subsidiaries or authorized distributors.

To the extent that Parker or its subsidiaries or authorized distributors provide component or system options based upon data or specifications provided by the user, the user is responsible for determining that such data and specifications are suitable and sufficient for all applications and reasonably foreseeable uses of the components or systems.

Offer of Sale

Please contact your Parker representation for a detailed "Offer of Sale".



Parker Hannifin Manufacturing Sweden AB

Pump & Motor Division Europe

Flygmotorvägen 2

461 82 Trollhättan

Sweden

Tel. +46 (0)520 40 45 00

www.parker.com/pmde

MSG30-5522-M1/UK

© Copyright 2021

All rights reserved