



Visit our homepage
for additional support
parker.com/pmde

Bulletin MSG30-5513-M1/UK

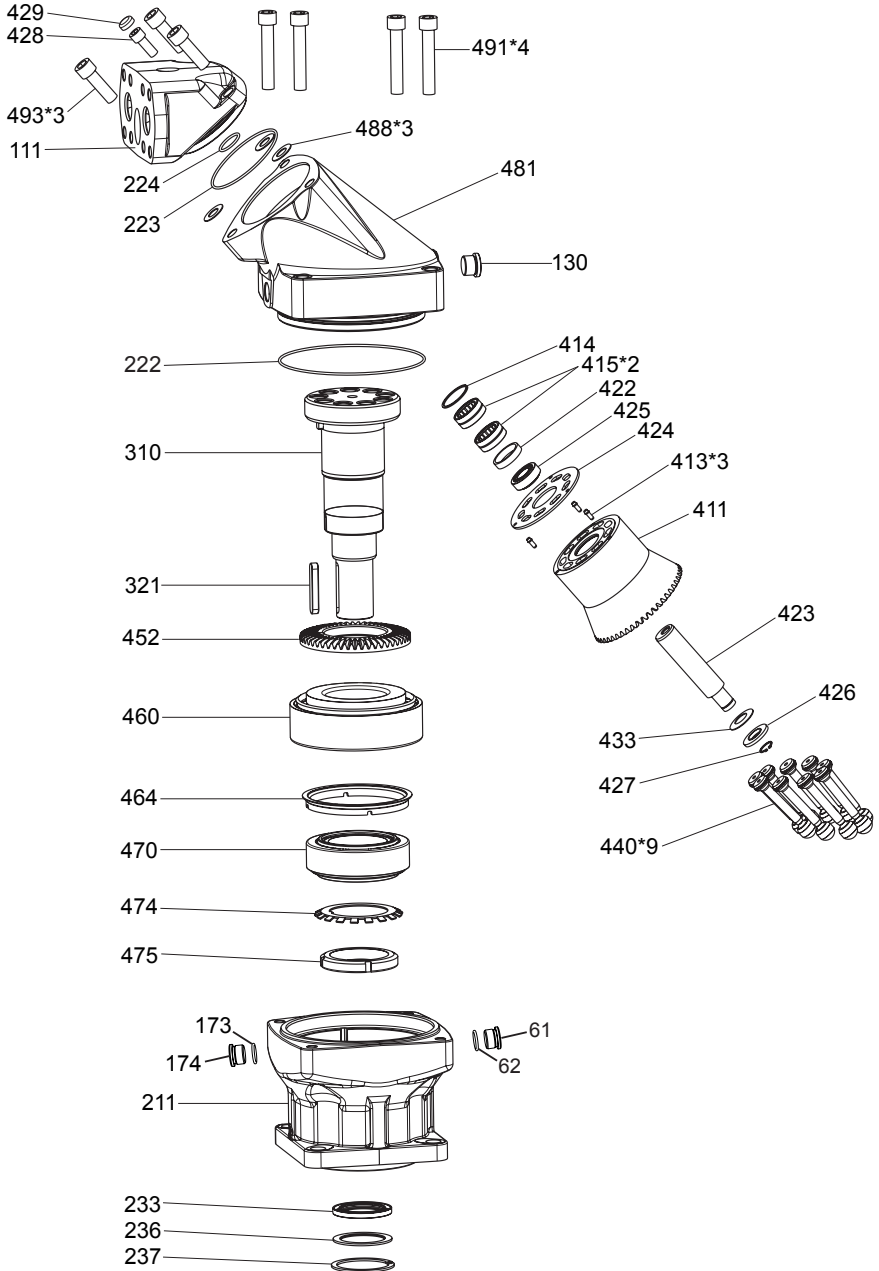
Spare Parts Series F12

Effective: March, 2022

Supersedes: February, 2022



ENGINEERING YOUR SUCCESS.



Pos	Part No	Description	Qty	Remarks
Housing parts				
61		Hex Socket Plug M12*1	1	VST112X1EDVITCF
111	3795856	End Cap QF Motor	1	
130		Hex Socket Plug	1	VST13/4EDVITCF
174		Hex Socket Plug	1	VST112X1EDVITCF
211	3787080	Bearing Housing Type S	1	Require item 130 174 251
251		Hex Socket Plug	1	4 HP5ON-S
481	3788726	Barrel housing	1	Require item 61
Rotating parts				
310	3788751	Shaft type K	1	Require flat key
310	3789501	Shaft type F	1	
310	3788839	Shaft type S	1	
321	3724446*	Flat Key for K shaft	1	
452	3787126	Ring Gear	1	

For other parts please contact Parker Hannifin

Seal kits

3797126 Sealing kit type V FPM

Repair Spare part Kit

3723738 REPAIR SPARE KIT F12-250

Bearing spare part kit

3723976 Bearing kit

Shim kit

3721336 Shims kit

Seal kit contain:

O-rings pos: 222, 223, 224
 Shaft seal pos: 233
 Back up ring pos: 236
 Retaining rings pos: 237
 Hex Screw pos: 428, 429

Repair spare part kit contain pos:

411,413, 414, 415, 422,423,
 424, 425, 426, 427, 428, 429,
 433, 440, 491, 493

Bearing spare part kit contain:

Tap Rol Bearing pos: 460, 470
 Spacer ring pos: 464
 Lock washer pos: 474
 Round nut pos: 475

Shim kit contain:

Shims pos: 488
 (1 pcs on each side)

*Kit contain 100 pcs