



Visit our homepage
for additional support
parker.com/pmde

Bulletin MSG30-5513-M1/UK

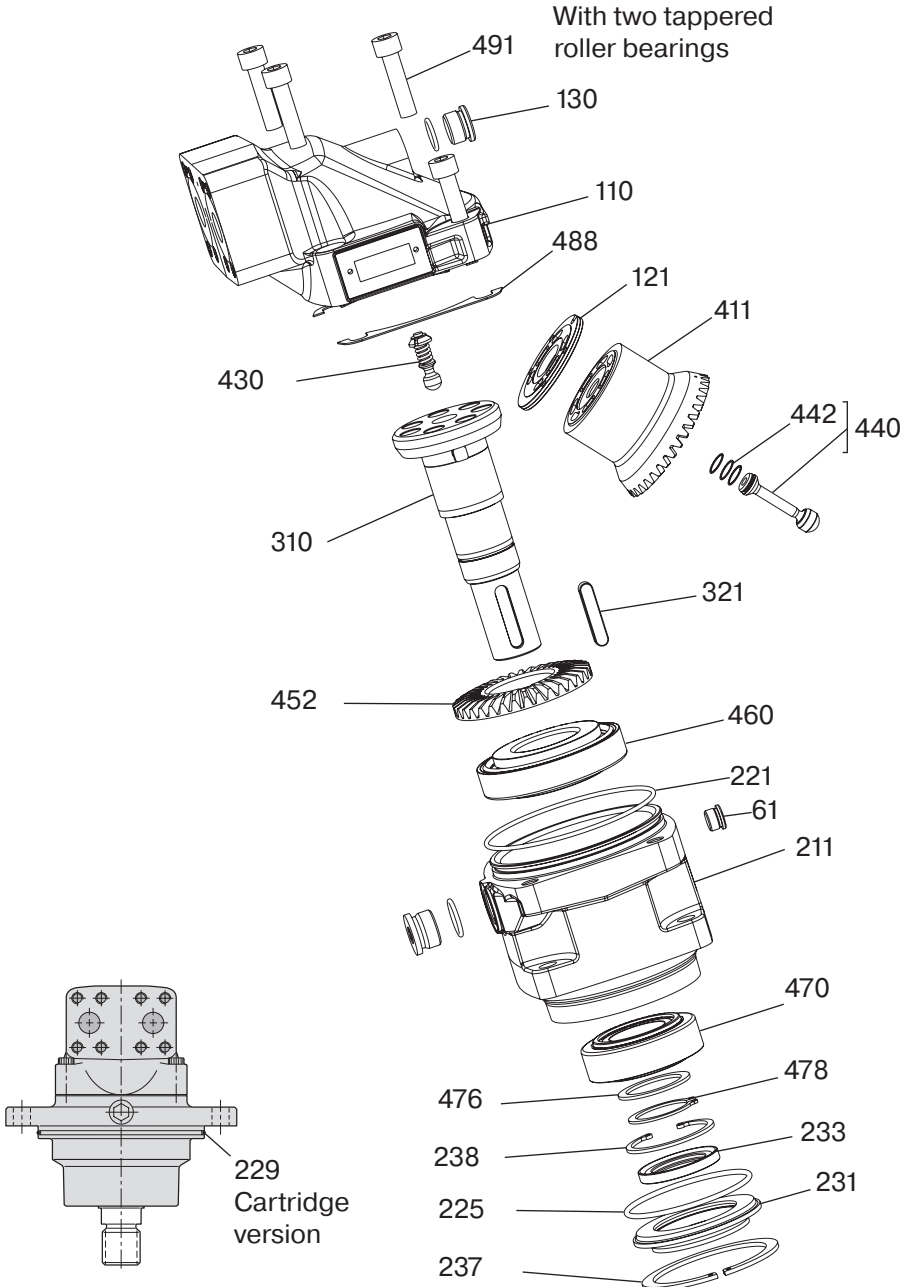
Spare Parts Series F12

Effective: March, 2022

Supersedes: February, 2022



ENGINEERING YOUR SUCCESS.



F12-110 from serial no. 200402010001 and up

Pos	Part No	Description	Qty	Remarks
Housing parts				
61		Hex Socket Plug M12*1	1	VSTI12X1EDVITCF
110	3709914	Barrel Housing Assy Type F	1	
110	3794372	Barrel Housing Assy Type S	1	
130		Hex Socket Plug S housing	1	12 HP50N-S
130		Hex Socket Plug F housing	1	VSTI22X1.5EDVITCF
211	3781449	Bearing Housing Type C	1	Require item 61
211	3781447	Bearing Housing Type I	1	Require item 61
211	3781448	Bearing Housing Type S	1	Require item 61
231	3796182	Seal Carrier	1	
Rotating parts				
310	3783323	Shaft type C	1	
310	3783322	Shaft type D	1	
310	3783321	Shaft type K	1	Require flat key
310	3783320	Shaft type S	1	
310	3783324	Shaft type T	1	Require flat key
321	3724446*	Flat Key for K shaft	1	
321	3724439*	Flat Key for T shaft	1	
430	3724476**	Barrel Support	1	
452	3783319	Ring Gear	1	

Seal kit contain:

O-rings pos: 221, 225, 229

Shaft seal pos: 233

Retaining rings pos: 237, 238

For other parts please contact Parker Hannifin**Seal kits**

3798092 Sealing kit type V FPM

3785137 Sealing kit type N NBR

Repair Spare part Kit

3787802 Type M (Motor)

3723987 Type L (CCW pump)

3723988 Type R (CW pump)

Bearing spare part kit

3723975 Bearing kit

Shim kit

3721334 Shims kit

Repair spare part kit contain:

Valve plate pos: 121

Cylinder Barrel pos: 411

Pistons pos: 440 (7 pcs)

Hex Screws pos: 491 (4 pcs)

Bearing spare part kit contain:

Tap Rol Bearing pos: 460, 470

Spacer pos: 476

Retaining rings pos: 478

Shim kit contain:

Shims pos: 488

(1 pcs on each side)

*Kit contain 100 pcs, **Kit contain 20 pcs