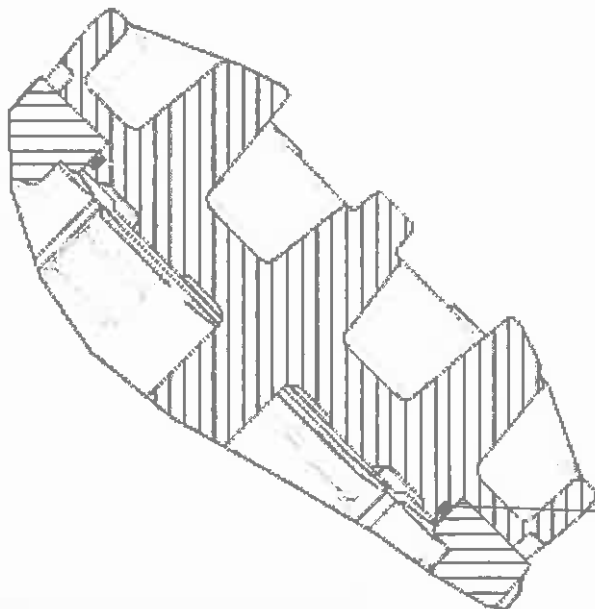
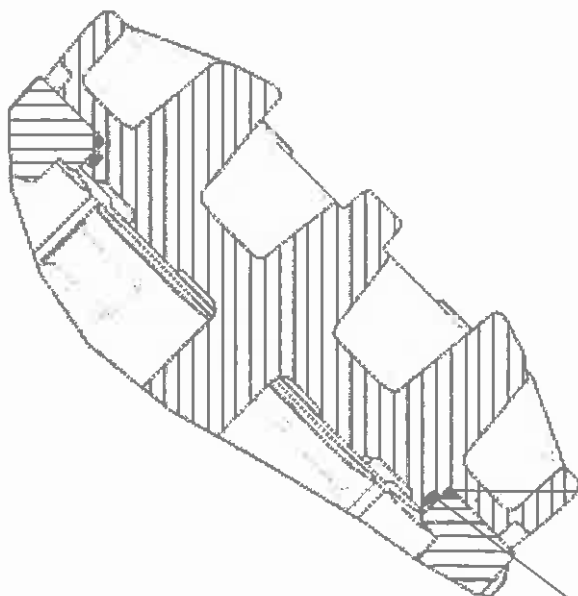


O-rings and shaft seals included in repair kit and seal kit.



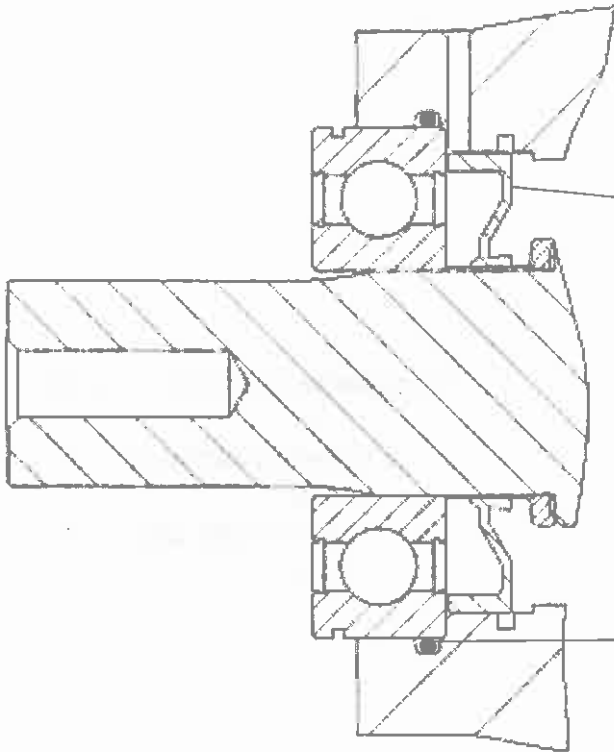
When you have the old housing use

- 3781423 for F01-025 until -061
(80x2,5 N70)
- 3797193 for F01-081 until -101
(94x2,5 N70)



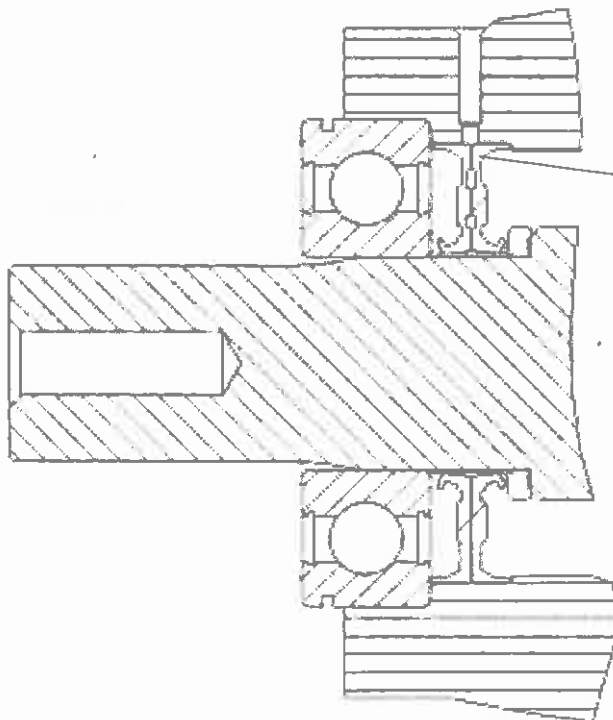
When you have the new housing use

- 3781742 for F01-025 until -061
(86x2,5 N70)
- 3781743 for F01-081 until -101
(98x2,5 N70)
- 3781423 for F01-025 until -061
(80x2,5 N70)
- 3797193 for F01-081 until -101
(94x2,5 N70)



This shaft seal is used in the old housing
3780423 for F01-025 until -101

This O-ring is used in the old housing
925276 for F01-025 until -101
(79,5x3 N70)



This shaft seal is used in the new housing
3781518 for F01-025 until -101