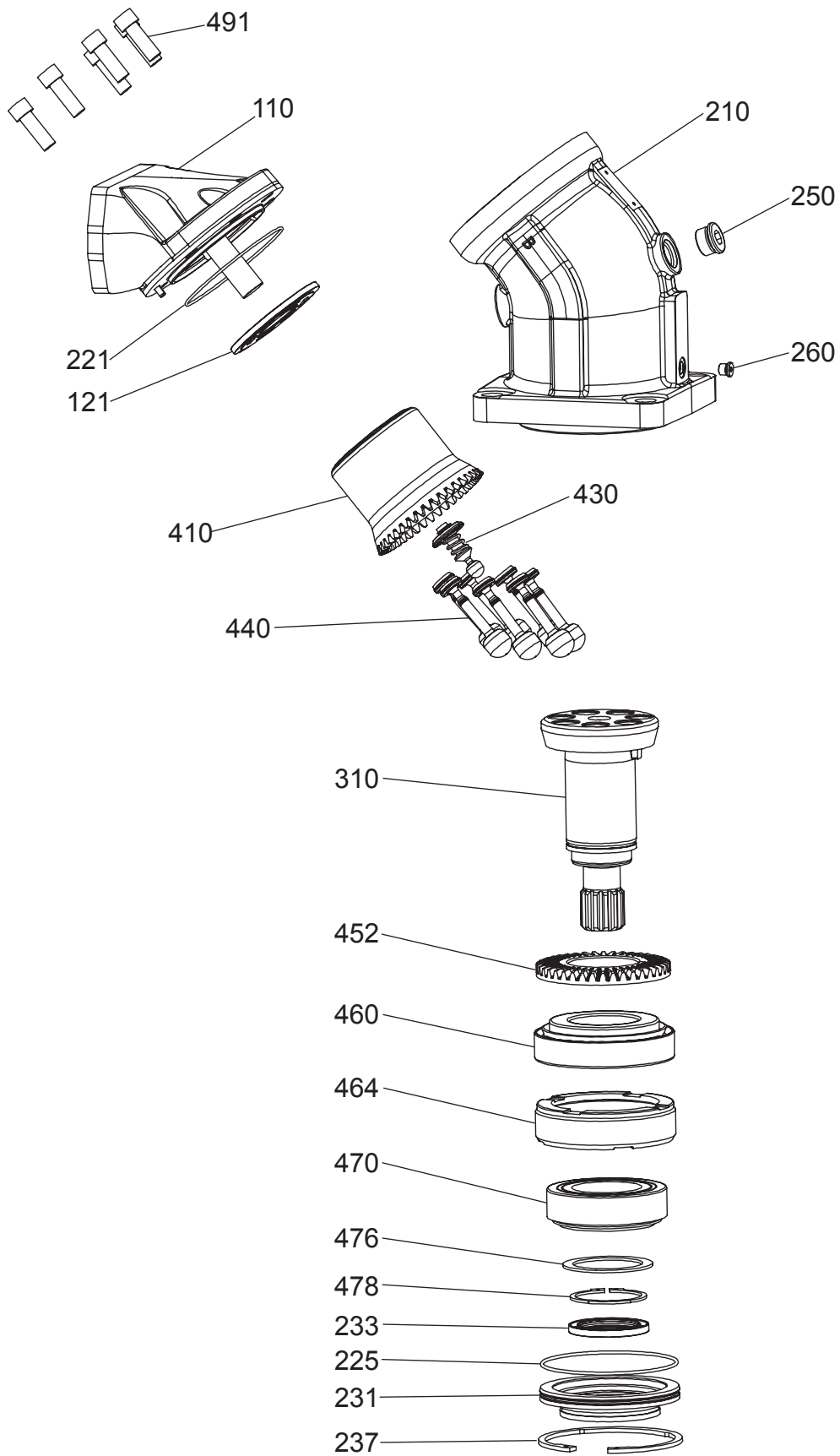


Splitview F12-152, -162, -182



Parts specification

Item	Description
110	END CAP
121	VALVE PLATE
210	BEARING HOUSING
221	O-RING 118*2,5 V80
225	O-RING 132*3 V80
231	SEAL CARRIER
233	SHAFT SEAL 60*80*7
237	RETAINING RING SGH140
250	HEX SKT PLUG ASSY 1-1/16V
260	HEX SKT PLUG ASSY 7/16
310	SHAFT
410	CYLINDER BARREL ASSY
430	BARREL SUPPORT
440	PISTON ASSY
452	RING GEAR
460	TAP ROLLER BEARING
464	SPACER RING
470	TAP ROLLER BEARING
476	SPACER WASHER
478	RETAINING RING SGA70
491	HEX S SCREW M14*40

Spare Parts for F12-152/162/182

Seal Kit

Items included in the Seal Kit 221, 225, 233, 237	
Product F12-152/162/182	Part No 3720863

Shafts 152/162/182

Item 310		
Shaft	Part No	Key Part No
Type K (key)	3720486	909358
Type G (key)	3720458	909358
Type D (spline)	3720490	
Type H (spline)	3784005	
Type T (key)	3784016	118227
Type S (spline)	3784010	
Type F (spline)	3720491	

Valve Plates 152/162/182

Item 121	
Motor type M	3721183
Motor type S	3784919
Motor type X	3721184
Pump type L (CCW)	3721242
Pump type R (CW)	3721241

End Cap 152/162/182

Item 110	
Type F 1 1/2" Vertical	3784018
Type D 1 1/4" Horizontal	3783958
Type K 1 1/4" Rear	3720302
Type M 1 1/4" Side	3720303

Piston Assy

Item 440	
F12-152	3784022
F12-162	3784023
F12-182	3783943

Cylinder Barrel Assy

Item 410	
F12-152	3720150
F12-162	3720149
F12-182	3720148

Tools

Part No: 3720774

