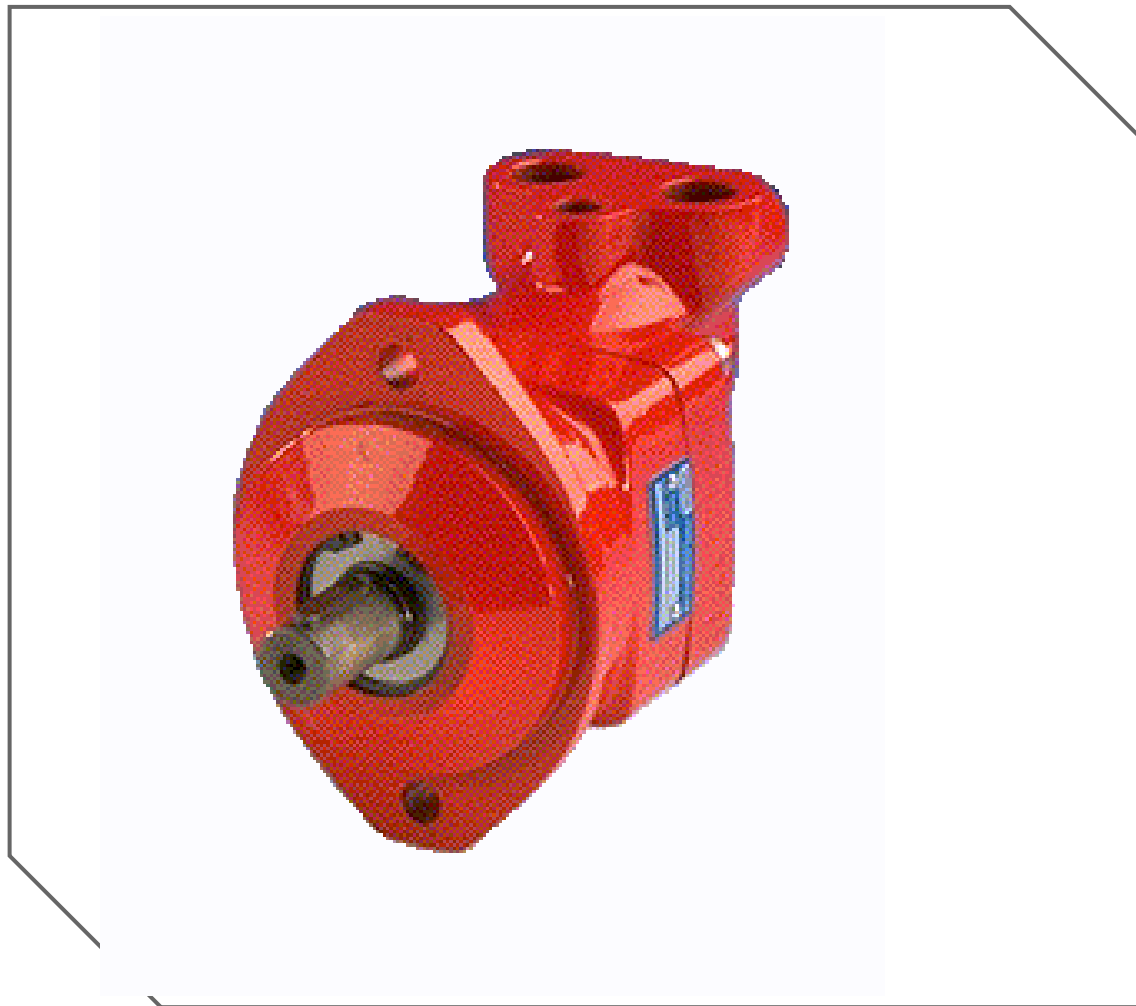
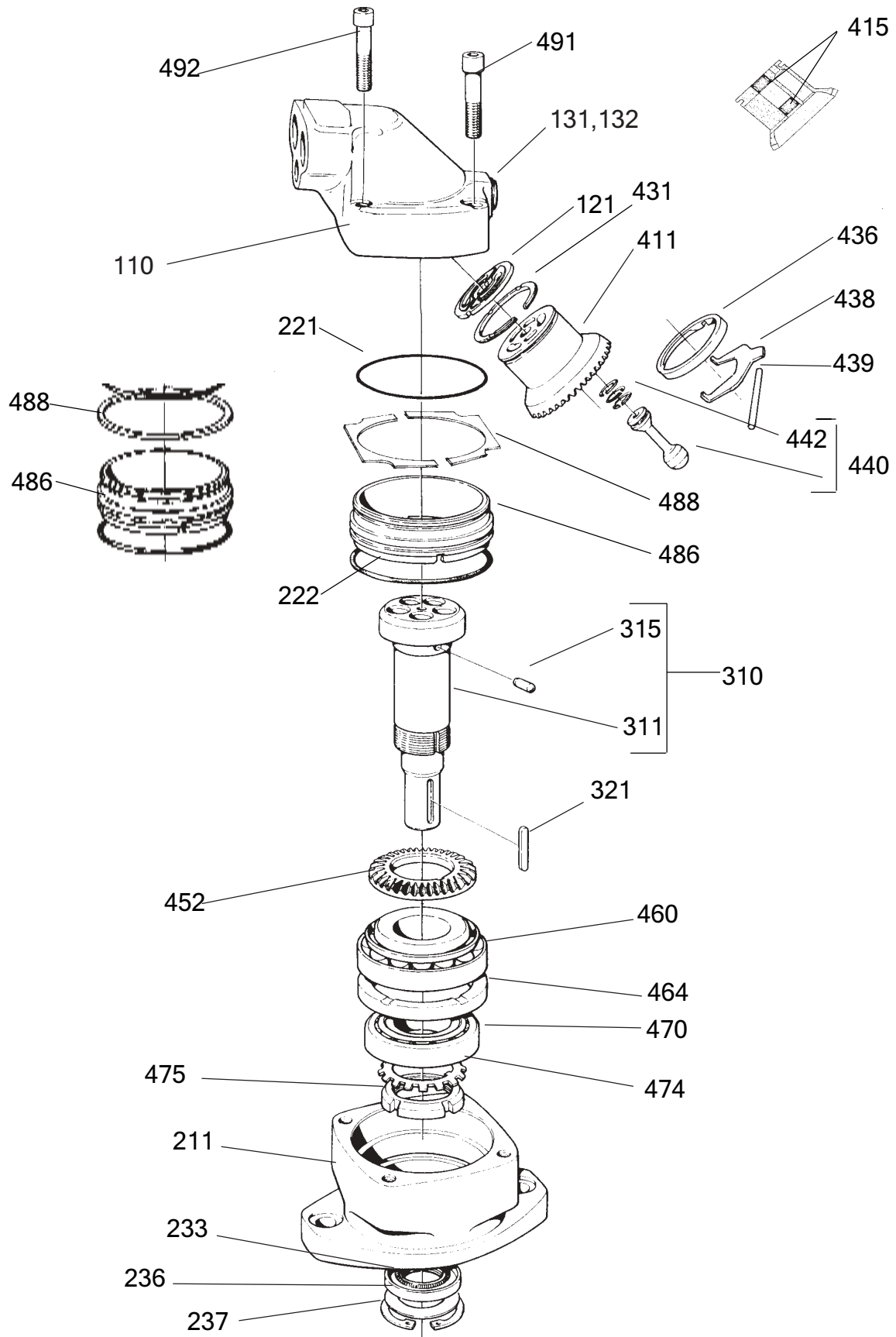




# Spare Parts Lists F11

---





Item	Part No	Title	Benämning	Qty	Remarks
110	3703007	Barrel Housing Assy	Övre hus kpl	1	Type B
110	3704304	Barrel Housing Assy	Övre hus kpl	1	Type U
121	3702390	Valve Plate	Ventilskiva	1	Type G
121	3707105	Valve Plate	Ventilskiva	1	Type H
121	3707157	Valve Plate	Ventilskiva	1	Type J
121	3703652	Valve Plate	Ventilskiva	1	Type L
121	3701897	Valve Plate	Ventilskiva	1	Type M
121	3703651	Valve Plate	Ventilskiva	1	Type Q
121	3703653	Valve Plate	Ventilskiva	1	Type R
131	944505	Hex Socket Plug	Insexpropp	1	For B
131	3707297	Hex Socket Plug	Insexpropp	1	For U
132	943907	Seal Washer	Tätbricka	1	For B
132	3707144	Seal Washer	Tätbricka	1	For U
211	3700520	Bearing Housing	Undre hus	1	Type C
237	914519	Retaining Ring	Spårring	1	
310	3796078	Shaft Assy	Axel, kpl	1	Type D Replaces 3703525
310	3796077	Shaft Assy	Axel, kpl	1	Type K Replaces 3701173
315	3794434	Pin	Styrtapp	1	
321	3796440	Flat Key	Plattkil	1	For K Replaces 909869
411	3702342	Cylinder Barrel	Cylindertrumma	1	
431	3700606	Barrel Retaining Ring	Fåstring	1	
440	3708656	Piston Assy	Kolv kpl	5	
442	3708651	Piston Ring	Kolvring	15	Laminated
442	72718	Piston Ring	Kolvring	5	Spherical Not available
452	3795831	Ring Gear	Kuggkrans	1	Replaces 3700596
460	118206	Tap Rol Bearing	Kon rullager	1	
464	3700516	Spacer Ring	Distansring	1	
470	118017	Tap Rol Bearing	Kon rullager	1	
474	907023	Lock Washer	Låsbricka	1	
475	906633	Round Nut	Rundmutter	1	
486	3700518	Guide Spacer	Styrhylsa	1	Not available
486	3797258	Guide Spacer	Styrhylsa	1	New type
488	3700523	Shim	Justerbricka	1	1.25
488	3700524	Shim	Justerbricka	1	1.375
488	3700525	Shim	Justerbricka	1	1.50 Ref.
488	3700526	Shim	Justerbricka	1	1.625
					SI 95-03
488	3700527	Shim	Justerbricka	1	1.75
488	3700528	Shim	Justerbricka	1	1.875
488	3700529	Shim	Justerbricka	1	2.00
488	3797401	Shim	Justerbricka	2	0.4 New type
488	3797402	Shim	Justerbricka	2	0.5 " "
488	3797403	Shim	Justerbricka	2	0.6 " "
488	3797404	Shim	Justerbricka	2	0.7 " "
491	959224	Hex Socket Screw	Insexskruv	2	
492	959231	Hex Socket Screw	Insexskruv	2	

Item	Part No	Title	Benämning	Qty	Remarks
110	3703010	Barrel Housing Assy	Övre hus kpl	1	Type B
110	3704105	Barrel Housing Assy	Övre hus kpl	1	Type U
121	3702392	Valve Plate	Ventilskiva	1	Type G
121	3707104	Valve Plate	Ventilskiva	1	Type H
121	3707158	Valve Plate	Ventilskiva	1	Type J
121	3703590	Valve Plate	Ventilskiva	1	Type L
121	3701895	Valve Plate	Ventilskiva	1	Type M
121	3703589	Valve Plate	Ventilskiva	1	Type Q
121	3703591	Valve Plate	Ventilskiva	1	Type R
131	3707297	Hex Socket Plug	Insexpropp	1	For U
131	944506	Hex Socket Plug	Insexpropp	1	For B
132	944496	Seal Washer	Tätbricka	1	For B
132	3707144	Seal Washer	Tätbricka	1	For U
211	3700905	Bearing Housing	Undre hus	1	Type C
237	914519	Retaining Ring	Spårring	1	
310	3796083	Shaft Assy	Axel kpl	1	Type D Replaces 3703526
310	3796080	Shaft Assy	Axel kpl	1	Type K Replaces 72951
310	3796081	Shaft Assy	Axel kpl	1	Type X-106 Replaces 3700927
315	3792207	Pin	Styrtapp	1	
321	3796439	Flat Key	Plattkil	1	For K Replaces 909871
321	906707	Flat Key	Plattkil	1	For X-106
411	3702958	Cylinder Barrel	Cylindertrumma	1	
431	3700973	Barrel Retaining Ring	Fåstring	1	
440	3708657	Piston Assy	Kolv kpl	5	
442	3708652	Piston Ring	Kolvring	15	Laminated
442	72747	Piston Ring	Kolvring	5	Spherical Not available
452	3795832	Ring Gear	Kuggkrans	1	Replaces 3700598
460	3798537	Tap Rol Bearing	Kon rullager	1	Replaces 0118024
464	3700954	Spacer Ring	Distansring	1	
470	118201	Tap Rol Bearing	Kon rullager	1	30206
474	907024	Lock Washer	Låsbricka	1	
475	906634	Round Nut	Rundmutter	1	
486	3700947	Guide Spacer	Styrhylsa	1	Not available
486	3797259	Guide Spacer	Styrhylsa	1	New type
488	3700975	Shim	Justerbricka	1	2,25
488	3700976	Shim	Justerbricka	1	2,375
488	3700977	Shim	Justerbricka	1	2,50
488	3700978	Shim	Justerbricka	1	2,625
488	3700979	Shim	Justerbricka	1	2,75
488	3700980	Shim	Justerbricka	1	2,875
488	3700981	Shim	Justerbricka	1	3,00
488	3797411	Shim	Justerbricka	2	0.4 New type
488	3797412	Shim	Justerbricka	2	0.5 " "
488	3797413	Shim	Justerbricka	2	0.6 " "
488	3797414	Shim	Justerbricka	2	0.7 " "
491	959241	Hex Socket Screw	Insexskruv	2	
491	959249	Hex Socket Screw	Insexskruv	2	



# Spare Parts

F11-14 all types

Tab: **F11**

SP012\_2-0405

Item	Part No	Title	Benämning	Qty	Remarks
110	3783214	Barrel Housing Assy	Övre hus kpl	1	Type B BSP thread
110	3783280	Barrel Housing Assy	Övre hus kpl	1	Type F Metric thread
110	3783196	Barrel Housing Assy	Övre hus kpl	1	Type L Anti-cav Left
110	3783195	Barrel Housing Assy	Övre hus kpl	1	Type R Anti-cav Right
110	3783279	Barrel Housing Assy	Övre hus kpl	1	Type U SAE
121	3782850	Valve Plate	Ventilskiva	1	Type H
121	3783095	Valve Plate	Ventilskiva	1	Type L Pump
121	3783094	Valve Plate	Ventilskiva	1	Type R Pump
131	944506	Hexagon Plug	Insexpropp	1	
132	944496	Seal Washer	Tätbricka	1	
211	3783240	Bearing Housing	Lager hus	1	Type C Cetop
211	3783222	Bearing Housing	Lager hus	1	Type I ISO
211	3783223	Bearing Housing	Lager hus	1	Type S SAE
237	3783253	Retaining Ring	Spärring	1	
310	3782825	Shaft Assy	Axel kpl	1	Type K ISO
310	3783199	Shaft Assy	Axel kpl	1	Type D ISO
310	3783281	Shaft Assy	Axel kpl	1	Type S SAE
310	3783282	Shaft Assy	Axel kpl	1	Type T SAE
411	3782829	Cylinder Barrel	Cylindertrumma	1	
431	3782984	Barrel Retaining Ring	Fästring	1	
440	3782828	Piston Assy	Kolv kpl	5	
452	3795832	Ring Gear	Kuggkrans	1	
460	3798537	Tap Rol Bearing	Kon rullager	1	
464	3700954	Spacer Ring	Distansring	1	
470	118201	Tap Rol Bearing	Kon rullager	1	
474	907024	Lock Washer	Låsbricka	1	
475	906634	Round Nut	Rundmutter	1	
486	3783044	Guide Spacer	Styrhylsa	1	
488	3797411	Shim	Justerbricka	2	0.4
488	3797412	Shim	Justerbricka	2	0.5
488	3797413	Shim	Justerbricka	2	0.6
488	3797414	Shim	Justerbricka	2	0.7
488	3797415	Shim	Justerbricka	2	0.8
491	959241	Hex Socket Screw	Insexskruv	2	
492	959249	Hex Socket Screw	Insexskruv	2	

Item	Part No	Title	Benämning	Qty	Remarks
110	3706487	Barrel Housing Assy	Övre hus kpl	1	Type B
110	3703438	Barrel Housing Assy	Övre hus kpl	1	Type U
121	3701852	Valve Plate	Ventilskiva	1	Type G
121	3706330	Valve Plate	Ventilskiva	1	Type H
121	3707159	Valve Plate	Ventilskiva	1	Type J
121	3703440	Valve Plate	Ventilskiva	1	Type L
121	72846	Valve Plate	Ventilskiva	1	Type M
121	3703439	Valve Plate	Ventilskiva	1	Type Q
121	3703441	Valve Plate	Ventilskiva	1	Type R
131	944506	Hex Socket Plug	Insexpropp	1	For B
131	3707297	Hex Socket Plug	Insexpropp	1	For U
132	944496	Seal Washer	Tätbricka	1	For B
132	3707144	Seal Washer	Tätbricka	1	For U
211	72834	Bearing Housing	Undre hus	1	Type C
211	3700237	Bearing Housing	Undre hus	1	Type S
237	914529	Retaining Ring	Spärring	1	
310	3796091	Shaft Assy	Axel kpl	1	Type D Replaces 3703429
310	3796087	Shaft Assy	Axel kpl	1	Type K Replaces 72952
310	3796092	Shaft Assy	Axel kpl	1	Type S Replaces 3703723
310	3796089	Shaft Assy	Axel kpl	1	Type
315	3792207	Guide Pin	Styrtapp	1	6x11
321	909305	Flat Key	Plattkil	1	For K
321	118225	Flat Key	Plattkil	1	For T
411	3702959	Cylinder Barrel	Cylindertrumma	1	
431	72686	Barrel Retaining Ring	Fåstring	1	
440	3708658	Piston Assy	Kolv kpl	5	
442	3705969	Piston Ring	Kolvring	15	Laminated
442	72517	Piston Ring	Kolvring	5	Spherical Not available
452	3795833	Ring Gear	Kuggkrans	1	
460	3797156	Tap Rol Bearing	Kon rullager	1	31308
464	73384	Spacer Ring	Distansring	1	
470	118202	Tap Rol Bearing	Kon rullager	1	30208
474	907026	Lock Washer	Låsbricka	2	
475	906636	Round Nut	Rundmutter	1	
486	72807	Guide Spacer	Styrhylsa	1	
486	3797260	Guide Spacer	Styrhylsa	1	New type
488	72811	Shim	Justerbricka	1	2.25
488	72812	Shim	Justerbricka	1	2.375
488	72813	Shim	Justerbricka	1	2.5
488	72814	Shim	Justerbricka	1	2.625 Ref.
488	72815	Shim	Justerbricka	1	2.75
488	72816	Shim	Justerbricka	1	2.875 SI 95-03
488	72817	Shim	Justerbricka	1	3.0
488	3797421	Shim	Justerbricka	2	0.4 New type
488	3797422	Shim	Justerbricka	2	0.5 " "
488	3797423	Shim	Justerbricka	2	0.6 " "
488	3797424	Shim	Justerbricka	2	0.7 " "
491	959243	Hex Socket Screw	Insexskruv	4	

Item	Part No	Title	Benämning	Qty	Remarks
110	3702929	Barrel Housing Assy	Övre hus kpl	1	Type B
110	3703953	Barrel Housing Assy	Övre hus kpl	1	Type U
121	3705233	Valve Plate	Ventilskiva	1	Type G
121	3706318	Valve Plate	Ventilskiva	1	Type H
121	3707160	Valve Plate	Ventilskiva	1	Type J
121	3703697	Valve Plate	Ventilskiva	1	Type L
121	3704635	Valve Plate	Ventilskiva	1	Type M
121	3702933	Valve Plate	Ventilskiva	1	Type Q
121	3703701	Valve Plate	Ventilskiva	1	Type R
131	944506	Hex Socket Plug	Insexpropp	1	For B
131	3707297	Hex Socket Plug	Insexpropp	1	For U
132	944496	Seal Washer	Tätbricka	1	For B
132	3707144	Seal Washer	Tätbricka	1	For U
211	3703716	Bearing Housing	Undre hus	1	Type C
211	3702827	Bearing Housing	Undre hus	1	Type S
237	914533	Retaining Ring	Spårring	1	
310	3796099	Shaft Assy	Axel kpl	1	Type D Replaces 3703527
310	3796095	Shaft Assy	Axel kpl	1	Type K Replaces 3702939
310	3796097	Shaft Assy	Axel kpl	1	Type S Replaces 3703235
310	3796100	Shaft Assy	Axel kpl	1	Type T Replaces 3703955
315	3709162	Pin	Styrtapp	1	
321	909305	Flat Key	Plattkil	1	For K
321	118225	Flat Key	Plattkil	1	For T
411	3702935	Cylinder Barrel	Cylindertrumma	1	
436	3702943	Bearing Ring	Lagerring	1	
438	3702944	Leaf Spring	Bladfjäder	1	
439	3702945	Pivot Pin	Stödpinne	1	
440	3706403	Piston Assy	Kolv kpl	5	
442	3795377	Piston Ring	Kolvring	15	Laminated
442	3702925	Piston Ring	Kolvring	5	Spherical Not available
452	3702937	Ring Gear	Kuggkrans	1	
460	3798865	Tap Rol Bearing	Kon rullager	1	31309
464	3702942	Spacer Ring	Distansring	1	
470	118770	Tap Rol Bearing	Kon rullager	1	
474	907027	Lock Washer	Låsbricka	1	
475	906637	Round Nut	Rundmutter	1	
486	3702923	Guide Spacer	Styrhylsa	1	
486	3797261	Guide Spacer	Styrhylsa	1	New type
488	3702947	Shim	Justerbricka	1	2.25
488	3702948	Shim	Justerbricka	1	2.375
488	3702949	Shim	Justerbricka	1	2.5
488	3702950	Shim	Justerbricka	1	2.625 Ref.
488	3702951	Shim	Justerbricka	1	2.75
488	3702952	Shim	Justerbricka	1	2.875 SI 95-03
488	3702953	Shim	Justerbricka	1	3.0
488	3797431	Shim	Justerbricka	2	0.4 New type
488	3797432	Shim	Justerbricka	2	0.5 New type
488	3797433	Shim	Justerbricka	2	0.6 " "
488	3797434	Shim	Justerbricka	2	0.7 " "
491	969169	Hex Socket Screw	Insexskruv	4	

Item	Part No	Title	Benämning	Qty	Remarks	
110	3703238	Barrel Housing Assy	Övre Hus kpl		Type B	
110	3703298	Barrel Housing Assy	Övre Hus kpl		Type U	
121	3702016	Valve Plate	Ventilskiva	1	Type G	
121	3706252	Valve Plate	Ventilskiva	1	Type H	
121	3707161	Valve Plate	Ventilskiva	1	Type J	
121	3703294	Valve Plate	Ventilskiva	1	Type L	
121	72847	Valve Plate	Ventilskiva	1	Type M	
121	3703239	Valve Plate	Ventilskiva	1	Type Q	
121	3703295	Valve Plate	Ventilskiva	1	Type R	
131	944507	Hex. Socket Plug	Insexpropp	1	For B-Housing	
131	3707298	Hex. Socket Plug	Insexpropp	1	For U-Housing	
132	943908	Seal Washer	Tätbricka	1	For B-Housing	
132	3708288	Seal Washer	Tätbricka	1	For U-Housing	
211	72835	Bearing Housing	Undre Hus	1	Type C	
211	3700235	Bearing Housing	Undre Hus	1	Type S	
211	3700708	Bearing Housing	Undre Hus	1	Type Z	
237	914534	Retaining Ring	Spärring	1		
310	3796112	Shaft Assy	Axel kpl	1	Type D Replaces 3703126	
310	3796106	Shaft Assy	Axel kpl	1	Type K Replaces 72953	
310	3796108	Shaft Assy	Axel kpl	1	Type S Replaces 3700406	
310	3796109	Shaft Assy	Axel kpl	1	Type T Replaces 3700420	
315	3709162	Pin	Styrtapp	1		
311	3701579	Shaft	Axel	1	Type Z	
321	909323	Flat Key	Plattkil	1	For K	
321	118226	Flat Key	Plattkil	1	For T	
411	3702043	Cylinder Barrel	Cylindertrumma	1		
431	72687	Barrel Retaining Ring	Fästring	1		
440	3706398	Piston Assy	Kolv kpl	5		
442	3705784	Piston Ring	Kolvring	15	Laminated	
442	72546	Piston Ring	Kolvring	5	Spherical Not available	
452	3795528	Ring Gear	Kuggkrans	1	Replaces 3700631	
460	118026	Tap. Roller Bearing	Kon. rullager	1	31311	
464	73386	Spacer Ring	Distansring	1		
470	118203	Tap. Roller Bearing	Kon. rullager	1	30211	
474	907029	Lock Washer	Låsbricka	2		
475	906639	Round Nut	Rundmutter	1		
486	72808	Guide Spacer	Styrhylsa	1		
486	3797262	Guide Spacer	Styrhylsa	1	New type	
488	72819	Shim	Justerbricka	1	2.25	
488	72820	Shim	Justerbricka	1	2.375	
488	72821	Shim	Justerbricka	1	2.50	
488	72822	Shim	Justerbricka	1	2.625	
488	72823	Shim	Justerbricka	1	2.75	Ref.
488	72824	Shim	Justerbricka	1	2.875	
488	72825	Shim	Justerbricka	1	3.00	SI 95-03
488	3797441	Shim	Justerbricka	2	0.4 New type	
488	3797442	Shim	Justerbricka	2	0.5 "	
488	3797443	Shim	Justerbricka	2	0.6 New type	
488	3797444	Shim	Justerbricka	2	0.7 "	
491	969223	Hex. Socket Screw	Insexskruv	4		



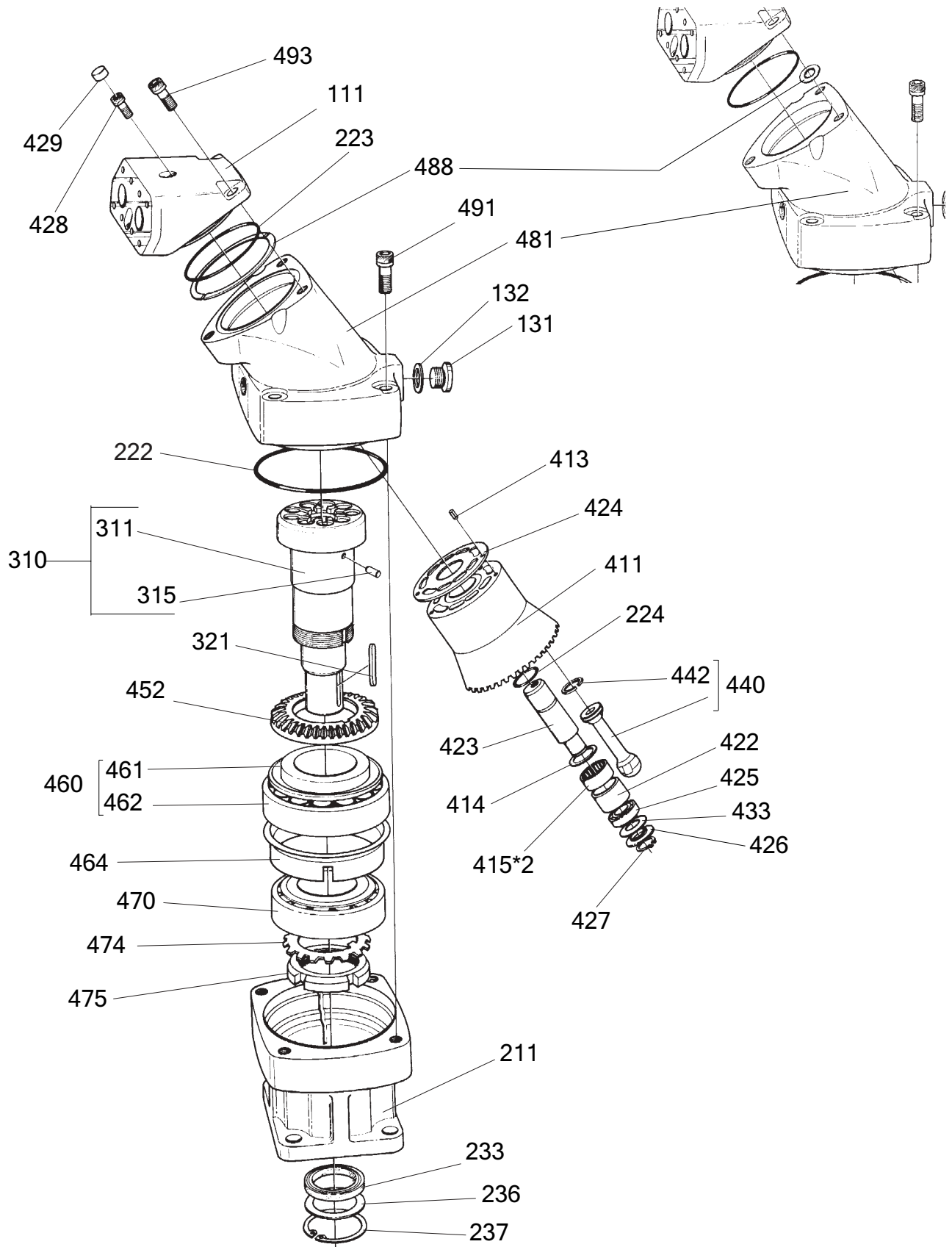
Item	Part No	Title	Benämning	Qty	Remarks
110	3703199	Barrel Housing Assy	Övre hus kpl	1	Type B
110	3703227	Barrel Housing Assy	Övre hus kpl	1	Type U
121	3702033	Valve Plate	Ventilskiva	1	Type G
121	3706331	Valve Plate	Ventilskiva	1	Type H
121	3707162	Valve Plate	Ventilskiva	1	Type J
121	3703285	Valve Plate	Ventilskiva	1	Type L
121	3701893	Valve Plate	Ventilskiva	1	Type M
121	3703241	Valve Plate	Ventilskiva	1	Type Q
121	3703286	Valve Plate	Ventilskiva	1	Type R
131	944507	Hex Socket Plug	Insexpropp	1	For B
131	3707298	Hex Socket Plug	Insexpropp	1	For U
132	943908	Seal Washer	Tätbricka	1	For B
132	3708288	Seal Washer	Tätbricka	1	For U
211	72835	Bearing Housing	Undre hus	1	Type C
211	3700235	Bearing Housing	Undre hus	1	Type S
211	3700708	Bearing Housing	Undre hus	1	Type Z
237	914534	Retaining Ring	Spårring	1	
310	3796125	Shaft Assy	Axel kpl	1	Type D Replaces 3703128
310	3796119	Shaft Assy	Axel kpl	1	Type K Replaces 3700674
310	3796123	Shaft Assy	Axel kpl	1	Type S Replaces 3701084
310	3796122	Shaft Assy	Axel kpl	1	Type T Replaces 3701081
310	3796134	Shaft Assy	Axel kpl	1	Type X, Replaces 3709685
310	3799397	Shaft Assy	Axel kpl	1	Type E
310	3796840	Shaft Assy	Axel kpl	1	Type Z Replaces 3700745
315	3709308	Pin	Styrtapp	1	
321	909323	Flat Key	Plattkil	1	For K
321	118226	Flat Key	Plattkil	1	For T
411	3702044	Cylinder Barrel	Cylindertrumma	1	
436	3700714	Bearing Ring	Lagring	1	
438	3703448	Leaf Spring	Bladfjäder	1	
439	3700741	Pivot Pin	Stödpinne	1	
440	3708443	Piston Assy	Kolv kpl	5	
442	3705975	Piston Ring	Kolvring	15	Laminated
442	3700219	Piston Ring	Kolvring	5	Spherical Not available
452	3795529	Ring Gear	Kuggkrans	1	Replaces 3700633
460	118026	Tap Rol Bearing	Kon rullager	1	31311
464	73386	Spacer Ring	Distansring	1	
470	118203	Tap Rol Bearing	Kon rullager	1	30211
474	907029	Lock Washer	Låsbricka	2	
475	906639	Round Nut	Rundmutter	1	
486	3701002	Guide Spacer	Styrhylsa	1	
486	3797272	Guide Spacer	Styrhylsa	1	New type
488	3700772	Shim	Justerbricka	1	2.25
488	3700773	Shim	Justerbricka	1	2.375
488	3700774	Shim	Justerbricka	1	2.50
488	3700775	Shim	Justerbricka	1	2.625
488	3700776	Shim	Justerbricka	1	2.75
488	3700777	Shim	Justerbricka	1	2.875
488	3700778	Shim	Justerbricka	1	3.00
488	3700779	Shim	Justerbricka	1	3.125
488	3797451	Shim	Justerbricka	2	0.4 New Type
488	3797452	Shim	Justerbricka	2	0.5 "
488	3797453	Shim	Justerbricka	2	0.6 " "
488	3797454	Shim	Justerbricka	2	0.7 New Type
491	969224	Hex Socket Screw	Insexskruv	2	
492	969281	Hex Socket Screw	Insexskruv	2	

Item	Part No	Title	Benämning	Qty	Remarks
110	3703534	Barrel Housing Assy	Övre hus kpl	1	Type B
110	3703179	Barrel Housing Assy	Övre hus kpl	1	Type F
121	3702034	Valve Plate	Ventilskiva	1	Type G
121	3706332	Valve Plate	Ventilskiva	1	Type H
121	3707163	Valve Plate	Ventilskiva	1	Type J
121	3703536	Valve Plate	Ventilskiva	1	Type L
121	72848	Valve Plate	Ventilskiva	1	Type M
121	3703535	Valve Plate	Ventilskiva	1	Type Q
121	3703537	Valve Plate	Ventilskiva	1	Type R
131	944508	Hex Socket Plug	Insexpropp	1	
132	944252	Seal Washer	Tätbricka	1	
211	72836	Bearing Housing	Undre hus	1	Type C
211	3700240	Bearing Housing	Undre hus	1	Type S
237	914537	Retaining Ring	Spärring	1	
310	3796141	Shaft Assy	Axel kpl	1	Type D Replaces 3702821
310	3796135	Shaft Assy	Axel kpl	1	Type K Replaces 72954
310	3796136	Shaft Assy	Axel kpl	1	Type S Replaces 3700376
310	3796137	Shaft Assy	Axel kpl	1	Type T Replaces 3700424
315	3709308	Pin	Styrtapp	1	
321	909358	Flat Key	Plattkil	1	For K
321	118227	Flat Key	Plattkil	1	For T
411	3702045	Cylinder Barrel	Cylindertrumma	1	
431	72688	Barrel Retaining Ring	Fåstring	1	
440	3706399	Piston Assy	Kolv kpl	5	
442	3705764	Piston Ring	Kolvring	15	Laminated
442	72578	Piston Ring	Kolvring	5	Spherical Not available
452	3795530	Ring Gear	Kuggkrans	1	Replaces 3700935
460	118027	Tap Rol Bearing	Kon rullager	1	31313
464	73388	Spacer Ring	Distansring	1	
470	118204	Tap Rol Bearing	Kon rullager	1	30213
474	907031	Lock Washer	Låsbricka	2	
475	906641	Round Nut	Rundmutter	1	
486	72809	Guide Spacer	Styrhylsa	1	
488	72827	Shim	Justerbricka	1	2.25
488	72828	Shim	Justerbricka	1	2.375
488	72829	Shim	Justerbricka	1	2.5
488	72830	Shim	Justerbricka	1	2.625
488	72831	Shim	Justerbricka	1	2.75
488	72832	Shim	Justerbricka	1	2.875
488	72833	Shim	Justerbricka	1	3.0
491	959283	Hex Socket Screw	Insexskruv	4	

Pos	Part No	Title	Benämning	Qty	Remarks
110	3704018	Barrel Housing Assy	Övre hus kpl	1	Type B
110	3703169	Barrel Housing Assy	Övre hus kpl	1	Type F
121	3702382	Valve Plate	Ventilskiva	1	Type G
121	3706283	Valve Plate	Ventilskiva	1	Type H
121	3707164	Valve Plate	Ventilskiva	1	Type J
121	3703680	Valve Plate	Ventilskiva	1	Type L
121	3708069	Valve Plate	Ventilskiva	1	Type L+H
121	3700210	Valve Plate	Ventilskiva	1	Type M
121	3703679	Valve Plate	Ventilskiva	1	Type Q
121	3703681	Valve Plate	Ventilskiva	1	Type R
121	3708068	Valve Plate	Ventilskiva	1	Type R+H
131	944508	Hex Socket Plug	Insexpropp	1	
132	944252	Seal Washer	Tätbricka	1	
211	3700204	Bearing Housing	Undre hus	1	Type C
211	3701076	Bearing Housing	Undre hus	1	Type S
237	914537	Retaining Ring	Spärring	1	
310	3796150	Shaft Assy	Axel kpl	1	Type D Replaces 3702993
310	3796145	Shaft Assy	Axel kpl	1	Type K Replaces 3700208
310	3796146	Shaft Assy	Axel kpl	1	Type S Replaces 3701110
310	3796147	Shaft Assy	Axel kpl	1	Type T Replaces 3701113
315	3794556	Pin	Styrtapp	1	
321	909358	Flat Key	Plattkil	1	For K
321	118227	Flat Key	Plattkil	1	For T
411	3702960	Cylinder Barrel	Cylindertrumma	1	
415	184129	Needle bearing	Nållager	2	
431	3700220	Barrel Retaining Ring	Fästring	1	
440	3708659	Piston Assy	Kolv kpl	7	
442	3705975	Piston Ring	Kolvring	21	Laminated
442	3700219	Piston Ring	Kolvring	7	Spherical Not available
452	3700212	Ring Gear	Kuggkrans	1	
460	118160	Tap Rol Bearing	Konrullager	1	31314
464	3700218	Spacer Ring	Distansring	1	
470	118161	Tap Rol Bearing	Konrullager	1	32213
474	907031	Lock Washer	Låsbricka	2	
475	906641	Round Nut	Rundmutter	1	
486	3700206	Guide Spacer	Styrhylsa	1	
488	3700224	Shim	Justerbricka	1	2.25
488	3700225	Shim	Justerbricka	1	2.375
488	3700226	Shim	Justerbricka	1	2.50
488	3700227	Shim	Justerbricka	1	2.625
488	3700228	Shim	Justerbricka	1	2.75
488	3700229	Shim	Justerbricka	1	2.875
488	3700230	Shim	Justerbricka	1	3.00
491	959281	Hex Socket Screw	Insexskruv	4	

Pos	Part No	Title	Benämning	Qty	Remarks
110	3794032	Barrel Housing Assy	Övre hus kpl	1	Type B
110	3794030	Barrel Housing Assy	Övre hus kpl	1	Type F
121	3702070	Valve Plate	Ventilskiva	1	Type G
121	3706310	Valve Plate	Ventilskiva	1	Type H
121	3707165	Valve Plate	Ventilskiva	1	Type J
121	3702800	Valve Plate	Ventilskiva	1	Type L
121	3708062	Valve Plate	Ventilskiva	1	Type L+H
121	72874	Valve Plate	Ventilskiva	1	Type M
121	3703467	Valve Plate	Ventilskiva	1	Type Q
121	3702796	Valve Plate	Ventilskiva	1	Type R
121	3708061	Valve Plate	Ventilskiva	1	Type R+H
131	944508	Hex Socket Plug	Insexpropp	1	
132	944252	Seal Washer	Tätbricka	1	
211	3794025	Bearing Housing	Undre hus	1	Type C
211	3794026	Bearing Housing	Undre hus	1	Type S
237	914540	Retaining Ring	Spårring	1	
310	3796159	Shaft Assy	Axel kpl	1	Type D Repl 3703528
310	3796154	Shaft Assy	Axel kpl	1	Type K Repl 3700808
310	3796157	Shaft Assy	Axel kpl	1	Type S Repl 3702113
310	3796158	Shaft Assy	Axel kpl	1	Type T Repl 3702118
315	3794556	Pin	Styrtapp	1	
321	909358	Flat Key	Plattkil	1	For K
321	118227	Flat Key	Plattkil	1	For T
411	3702961	Cylinder Barrel	Cylindertrumma	1	
415	3702356	Needle bearing	Nållager	2	
431	72890	Barrel Retaining Ring	Fästring	1	
440	3708660	Piston Assy	Kolv kpl	7	
442	72578	Piston Ring	Kolvring	7	Spherical Not available
452	3700810	Ring Gear	Kuggkrans	1	
460	3799030	Tap Rol Bearing	Kon rullager	1	3799030 replaces 118028
460	3799030	Tap Rol Bearing	Kon rullager	1	Only with 3797265, pos 486
464	73390	Spacer Ring	Distansring	1	
470	118205	Tap Rol Bearing	Kon rullager	1	
474	907034	Lock Washer	Låsbricka	2	
475	906644	Round Nut	Rundmutter	1	
486	72878	Guide Spacer	Styrhylsa	1	Not available
486	3797265	Guide Spacer	Styrhylsa	1	New type
488	72880	Shim	Justerbricka	1	2.25
488	72881	Shim	Justerbricka	1	2.375
488	72882	Shim	Justerbricka	1	2.50
488	72883	Shim	Justerbricka	1	2.625
488	72884	Shim	Justerbricka	1	2.75
488	72885	Shim	Justerbricka	1	2.875
488	72886	Shim	Justerbricka	1	3.00
488	3797481	Shim	Justerbricka	2	0.4 New type
488	3797482	Shim	Justerbricka	2	0.5 " "
488	3797483	Shim	Justerbricka	2	0.6 New type
488	3797484	Shim	Justerbricka	2	0.7 " "
491	959284	Hex Socket Screw	Insexskruv	4	M16

 Ref.  
SI 95-03



Item	Part No	Title	Benämning	Qty	Remarks
111	3795856	End Cap	Anslutningstopp	1	Type QF Replaces 3706152
111	3706518	End Cap	Anslutningstopp	1	Type LF
111	3706846	End Cap	Anslutningstopp	1	Type RF
131	944508	Hex Socket Plug	Insexpropp	1	
132	944252	Seal Washer	Tätbricka	1	
211	3704873	Bearing Housing	Undre hus	1	Type S
237	914540	Retaining Ring	Spärring	1	
310	3796162	Shaft Assy	Axel kpl	1	Type K Replaces 3707198
310	3796163	Shaft Assy	Axel kpl	1	Type S Replaces 3707199
310	3796164	Shaft Assy	Axel kpl	1	Type F Replaces 3707200
311	3791807	Shaft	Axel	1	Type D
315	3794556	Pin	Styrtapp	1	
321	909358	Flat Key	Plattkil	1	For K
411	3706154	Cylinder Barrel	Cylindertrumma	1	
413	3791530	Spring Pin	Rörpinne	3	
414	3704909	Retaining Ring	Spärring	1	
415	3704911	Needle Bearing	Nållager	2	
422	3704887	Spacer Sleeve	Distanshylsa	1	
423	3704867	Barrel Spindle	Centrumaxel	1	
424	3708465	Sliding Plate	Glidplatta	1	Replaces 3706153
425	3704912	Tap Rol Bearing	Kon rullager	1	32004X
426	3704888	Spacer Washer	Distansbricka	1	
427	914454	Retaining Ring	Spärring	1	
428	3705177	Hex Socket Screw	Insexskruv	1	
429	946779	Cap Plug	Hattplugg	1	
433	3704913	Disc Spring	Tallriksfjäder	1	
440	3707197	Piston Assy	Kolv kpl	9	
442	72578	Piston Ring	Kolvring	9	Spherical Not available
442	3705764	Piston Ring	Kolvring	27	Laminated
452	3704866	Ring Gear	Kuggkrans	1	
460	3793435	Tap Rol Bearing	Kon rullager	1	
464	3704884	Spacer Ring	Distansring	1	
470	3704905	Tap Rol Bearing	Kon rullager	1	33216
474	907034	Lock Washer	Låsbricka	2	
475	906644	Round Nut	Rundmutter	1	
481	3704864	Barrel Housing	Trumhus	1	Not available
488	3704942	Shim	Justerbricka	1	3.125
488	3704943	Shim	Justerbricka	1	3.25
488	3704944	Shim	Justerbricka	1	2.50
488	3704945	Shim	Justerbricka	1	2.625
488	3704946	Shim	Justerbricka	1	2.75
488	3704947	Shim	Justerbricka	1	2.875
488	3704948	Shim	Justerbricka	1	3.00
491	959284	Hex Socket Screw	Insexskruv	4	
493	3705361	Hex Socket Screw	Insexskruv	3	12.9

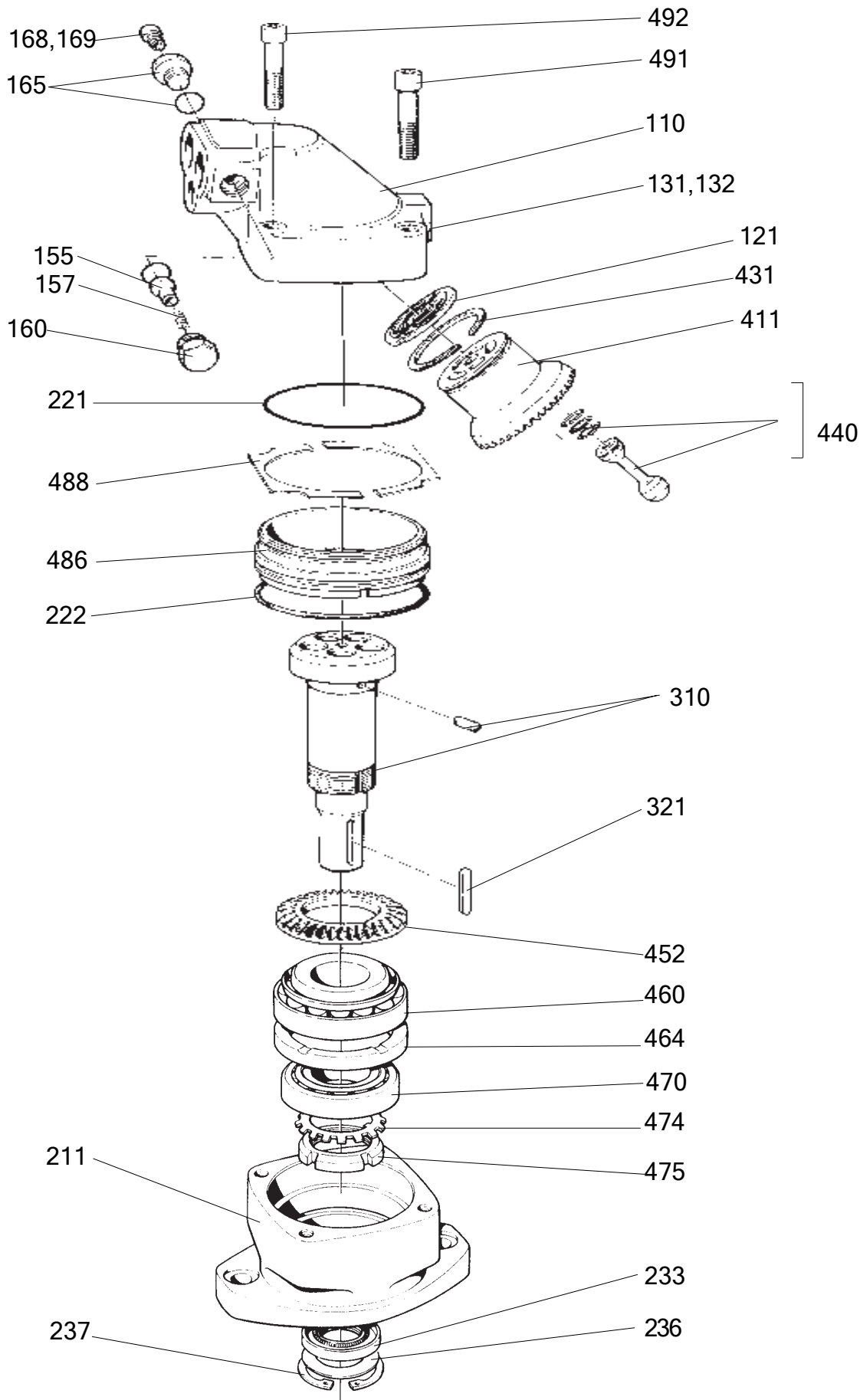
Item	Part No	Title	Benämning	Qty	Remarks
111	3795856	End Cap	Anslutningstopp	1	Type QF Replaces 3706152
111	3706518	End Cap	Anslutningstopp	1	Type LF
111	3706846	End Cap	Anslutningstopp	1	Type RF
111	3795856	End Cap	Anslutningstopp	1	Type QF
131	944508	Hex Socket Plug	Insexpropp	1	
132	944252	Seal Washer	Tätbricka	1	
211	3704873	Bearing Housing	Undre hus	1	Type S
237	914540	Retaining Ring	Spärring	1	
310	3796162	Shaft Assy	Axel kpl	1	Type K Replaces 3707198
310	3796163	Shaft Assy	Axel kpl	1	Type S Replaces 3707199
310	3796164	Shaft Assy	Axel kpl	1	Type F Replaces 3707200
311	3791807	Shaft	Axel	1	Type D
315	3794556	Pin	Styrtapp	1	
321	909358	Flat Key	Plattkil	1	For K
411	3706154	Cylinder Barrel	Cylindertrumma	1	
413	3791530	Spring Pin	Rörpinne	3	
414	3704909	Retaining Ring	Spärring	1	
415	3704911	Needle Bearing	Nållager	2	
422	3704887	Spacer Sleeve	Distanshylsa	1	
423	3704867	Barrel Spindle	Centrumaxel	1	
424	3708465	Sliding Plate	Glidplatta	1	Replaces 3706153
425	3704912	Tap Rol Bearing	Kon rullager	1	32004X
426	3704888	Spacer Washer	Distansbricka	1	
427	914454	Retaining Ring	Spärring	1	
428	3705177	Hex Socket Screw	Insexskruv	1	
429	946779	Cap Plug	Hattplugg	1	
433	3704913	Disc Spring	Tallriksfjäder	1	
440	3707197	Piston Assy	Kolv kpl	9	
442	72578	Piston Ring	Kolvring	9	Spherical Not available
442	3705764	Piston Ring	Kolvring	27	Laminated
452	3704866	Ring Gear	Kuggkrans	1	
460	3793435	Tap Rol Bearing	Kon rullager	1	
464	3704884	Spacer Ring	Distansring	1	
470	3704905	Tap Rol Bearing	Kon rullager	1	33216
474	907034	Lock Washer	Låsbricka	2	
475	906644	Round Nut	Rundmutter	1	
481	3794776	Barrel Housing	Trumhus	1	
488	3794781	Shim	Justerbricka	2	0.2
488	3794782	Shim	Justerbricka	2	0.4
488	3794783	Shim	Justerbricka	2	0.6
488	3794784	Shim	Justerbricka	2	0.8
488	3794785	Shim	Justerbricka	2	1.0
491	959284	Hex Socket Screw	Insexskruv	4	
493	3705361	Hex Socket Screw	Insexskruv	3	12.9

To fit	Part No	Title	Benämning	
F11-005 type M	3797031	Spare Parts Kit	Reservdelssats	
F11-005 type N	3797109	Sealing Kit	Tätningssats	
F11-005 type H	3797118	Sealing Kit	Tätningssats	
F11-005 type E	3797127	Sealing Kit	Tätningssats	
F11-010 type M	3797032	Spare Parts Kit	Reservdelssats	
F11-010 type N	3797111	Sealing Kit	Tätningssats	
F11-010 type H	3797119	Sealing Kit	Tätningssats	
F11-010 type E	3797128	Sealing Kit	Tätningssats	
F11-010 type V	3783269	Sealing Kit	Tätningssats	
F11-010	3783383	Sealing Kit	Tätningssats	Sawmotor
F11-010 type H	3780159	Spare Parts Kit	Reservdelssats	Sawmotor
F11-014 type V	3785038	Sealing Kit	Tätningssats	
F11-014 type E	3785039	Sealing Kit	Tätningssats	
F11-019 type M	3797033	Spare Parts Kit	Reservdelssats	
F11-019 type N	3797112	Sealing Kit	Tätningssats	
F11-019 type H	3797120	Sealing Kit	Tätningssats	
F11-019 type E	3797129	Sealing Kit	Tätningssats	
F11-019 type V	3783270	Sealing Kit	Tätningssats	
F11-019	3783384	Sealing Kit	Tätningssats	Sawmotor
F11-019 type H	3780160	Spare Parts Kit	Reservdelssats	Sawmotor
F11-028 type M	3797034	Spare Parts Kit	Reservdelssats	
F11-028 type N	3797113	Sealing Kit	Tätningssats	
F11-028 type H	3797121	Sealing Kit	Tätningssats	
F11-028 type E	3797130	Sealing Kit	Tätningssats	
F11-039 type M	3797037	Spare Parts Kit	Reservdelssats	
F11-039/058 type N	3797114	Sealing Kit	Tätningssats	
F11-039/058 type H	3797122	Sealing Kit	Tätningssats	
F11-039 type E	3797131	Sealing Kit	Tätningssats	
F11-058 type M	3797038	Spare Parts Kit	Reservdelssats	
F11-058 type E	3797132	Sealing Kit	Tätningssats	
F11-078 type M	3797039	Spare Parts Kit	Reservdelssats	
F11-078 type N	3797115	Sealing Kit	Tätningssats	
F11-078 type H	3797123	Sealing Kit	Tätningssats	
F11-078 type E	3797133	Sealing Kit	Tätningssats	
F11-110 type M	3797040	Spare Parts Kit	Reservdelssats	
F11-110 type N	3797116	Sealing Kit	Tätningssats	
F11-110 type H	3797124	Sealing Kit	Tätningssats	
F11-110 type E	3797134	Sealing Kit	Tätningssats	
F11-150 type M	3797041	Spare Parts Kit	Reservdelssats	
F11-150 type N	3797117	Sealing Kit	Tätningssats	
F11-150 type H	3797125	Sealing Kit	Tätningssats	
F11-150 type E	3797135	Sealing Kit	Tätningssats	
F11-250 type H	3797126	Sealing Kit	Tätningssats	

The Spare Parts Kits comprise items 121, 221, 222, 233, 236, 410/411, 431 & 440.  
The Sealing Kits comprise generally items 221, 222, 233 & 236.

If more parts are required it is normally not profitable to carry out a repair.







# Spare Parts

Tab: **F11**F11-010-HR-CH-K-000 3797736  
F11-010-HL-CH-K-000 3798401  
From serial No. 1995431395Page 16 a  
SP 214-0511

Item	Part No	Title	Benämning	Qty	Remarks
110	3797286	Barrel Housing Assy	Övre hus kpl	1	
121	3795088	Valve Plate	Ventilskiva	1	Type H
131	944506	Hex Socket Plug	Insexpropp	1	
132	944496	Seal Washer	Tätbricka	1	
155	3797289	Chec Valve Cone	Backventilkägla	1	
157	3797290	Compression spring	Tryckfjäder	1	
160	3797292	Hex Socket Plug Assy	Sexkantpropp kpl	1	
165	3797291	Hex Socket Plug Assy	Sexkantpropp kpl	1	
168	944505	Hex Socket Plug	Insexpropp	1	
169	943907	Seal Washer	Tätbricka	1	
211	3700905	Bearing Housing	Undre hus	1	
237	914519	Retaining Ring	Spärring	1	
310	3796080	Shaft Assy	Axel kpl	1	Type K
321	3796439	Flat Key	Plattkil	1	For K
411	3702958	Cylinder Barrel	Cylindertrumma	1	
431	3700973	Barrel Retaining Ring	Fästring	1	
440	3708657	Piston Assy	Kolv kpl	5	
452	3795832	Ring Gear	Kuggkrans	1	
460	3798537	Tap Rol Bearing	Kon rullager	1	
464	3700954	Spacer Ring	Distansring	1	
470	118201	Tap Rol Bearing	Kon rullager	1	
474	907024	Lock Washer	Låsbricka	1	
475	906634	Round Nut	Rundmutter	1	
486	3797259	Guide Spacer	Styrhylsa	1	
488	3797411	Shim	Justerbricka	2	0.4
488	3797412	Shim	Justerbricka	2	0.5
488	3797413	Shim	Justerbricka	2	0.6
488	3797414	Shim	Justerbricka	2	0.7
488	3797415	Shim	Justerbricka	2	0.8
491	959241	Hex Socket Screw	Insexskruv	2	
492	959249	Hex Socket Screw	Insexskruv	2	

## Kits F11-010

Part No	Title	Benämning	Remarks
3783383	Seal Kit	Tätsats	For Sawmotor
3780159	Spare Parts Kit	Reservdelssats	For Sawmotor

The seal kit comprise items 221, 222, 233 and 236.

The spare parts kit comprise items 121, 221, 222, 233, 236, 411, 431 and 440.



# Spare Parts

Tab: **F11**

F11-019-HR-CH-K-0003780371

F11-019-HL-CH-K-0003780372

From serial No. 1995431395

Page 16 b

SP 214-0511

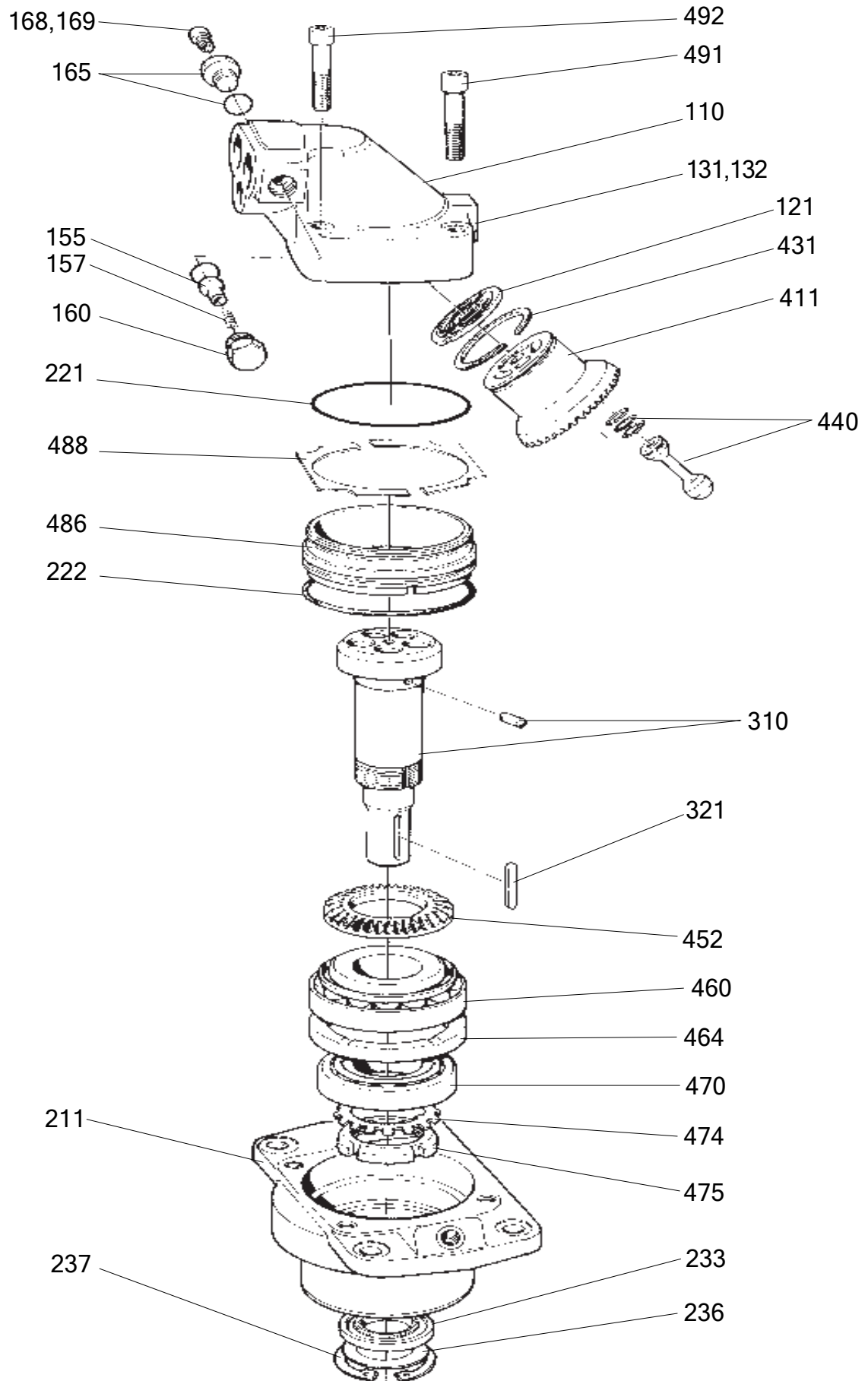
Item	Part No	Title	Benämning	Qty	Remarks
110	3780296	Barrel Housing Assy	Övre hus kpl	1	
121	3797880	Valve Plate	Ventilskiva	1	Type H
131	944506	Hex Socket Plug	Insexpropp	1	
132	944496	Seal Washer	Tätbricka	1	
155	3797289	Chec Valve Cone	Backventilkägla	1	
157	3797290	Compression spring	Tryckfjäder	1	
160	3797292	Hex Socket Plug Assy	Sexkantpropp kpl	1	
165	3797291	Hex Socket Plug Assy	Sexkantpropp kpl	1	
168	944505	Hex Socket Plug	Insexpropp	1	
169	943907	Seal Washer	Tätbricka	1	
211	72834	Bearing Housing	Undre hus	1	
237	914529	Retaining Ring	Spärring	1	
310	3796087	Shaft Assy	Axel kpl	1	Type K
321	909305	Flat Key	Plattkil	1	ForK
411	3702959	Cylinder Barrel	Cylindertrumma	1	
431	72686	Barrel Retaining Ring	Fästring	1	
440	3708658	Piston Assy	Kolv kpl	5	
452	3795833	Ring Gear	Kuggkrans	1	
460	3797156	Tap Rol Bearing	Kon rullager	1	
464	73384	Spacer Ring	Distansring	1	
470	118202	Tap Rol Bearing	Kon rullager	1	
474	907026	Lock Washer	Låsbricka	1	
475	906636	Round Nut	Rundmutter	1	
486	3797260	Guide Spacer	Styrhylsa	1	
488	3797421	Shim	Justerbricka	2	0.4
488	3797422	Shim	Justerbricka	2	0.5
488	3797423	Shim	Justerbricka	2	0.6
488	3797424	Shim	Justerbricka	2	0.7
488	3797425	Shim	Justerbricka	2	0.8
491	959243	Hex Socket Screw	Insexskruv	4	

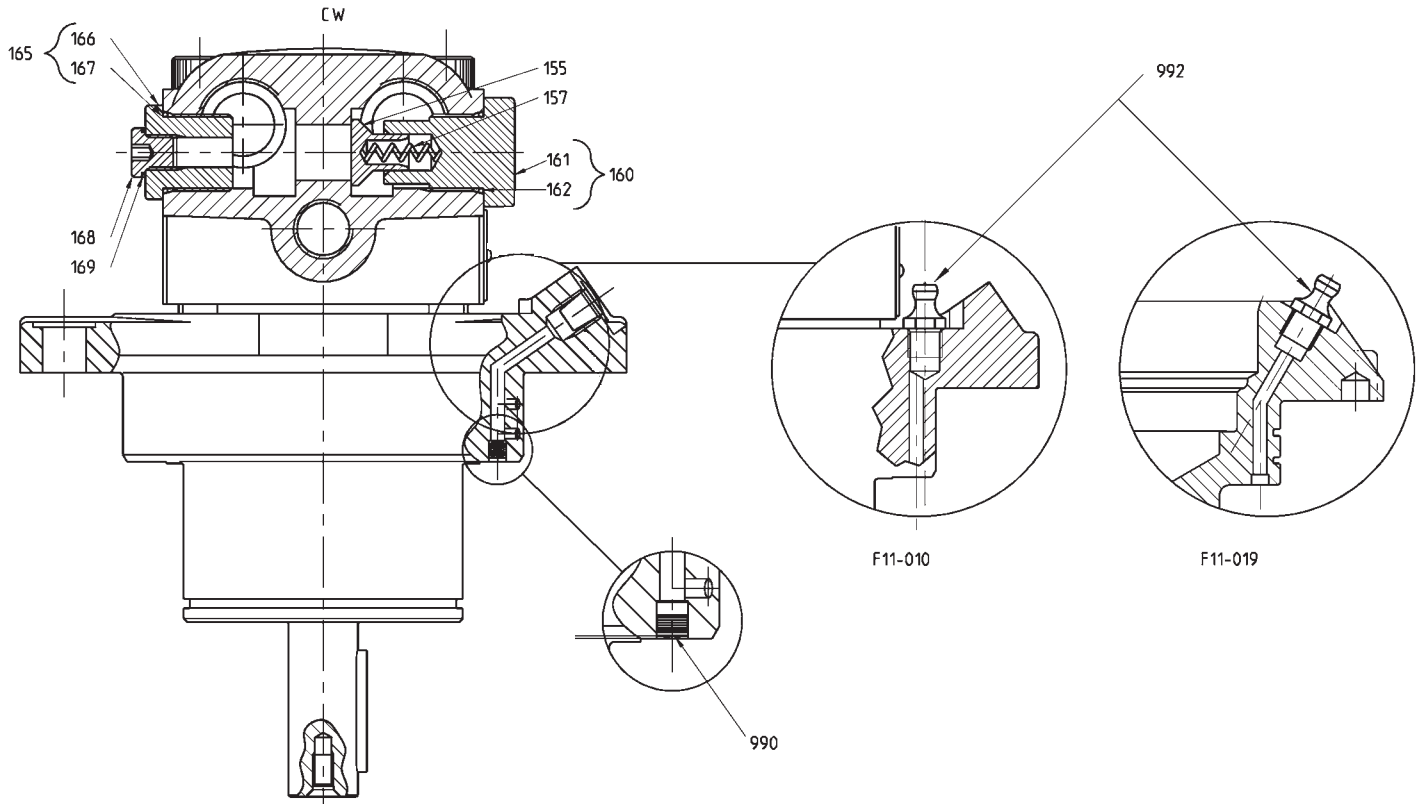
## Kits F11-019

Part No	Title	Benämning	Remarks
3783384	Seal Kit	Tätsats	For Sawmotor
3780160	Spare Parts Kit	Reservdelssats	For Sawmotor

The seal kit comprise items 221, 222, 233 and 236.

The spare parts kit comprise items 121, 221, 222, 233, 236, 411, 431 and 440.





Item	Part No	Title	Benämning	Qty	Remarks
110	3797286	Barrel Housing Assy	Övre hus kpl	1	Type H
121	3795088	Valve Plate	Ventilskiva	1	
131	944506	Hex Socket Plug	Insexpropp	1	
132	944496	Seal Washer	Tätbricka	1	
155	3797289	Chec Valve Cone	Backventilkägla	1	
157	3797290	Compression spring	Tryckfjäder	1	
160	3797292	Hex Socket Plug Assy	Sexkantpropp kpl	1	
165	3797291	Hex Socket Plug Assy	Sexkantpropp kpl	1	
168	944505	Hex Socket Plug	Insexpropp	1	
169	943907	Seal Washer	Tätbricka	1	
211	3782023	Bearing Housing	Undre hus	1	Type K For K
237	914519	Retaining Ring	Spårring	1	
310	3796080	Shaft Assy	Axel kpl	1	
321	3796439	Flat Key	Plattkil	1	
411	3702958	Cylinder Barrel	Cylindertrumma	1	
431	3700973	Barrel Retaining Ring	Fästring	1	
440	3708657	Piston Assy	Kolv kpl	5	
452	3795832	Ring Gear	Kuggkrans	1	
460	3798537	Tap Rol Bearing	Kon rullager	1	
464	3703853	Spacer Ring	Distansring	1	
470	118201	Tap Rol Bearing	Kon rullager	1	
474	907024	Lock Washer	Låsbricka	1	
475	906634	Round Nut	Rundmutter	1	
486	3797259	Guide Spacer	Styrhylsa	1	
488	3797411	Shim	Justerbricka	2	0.4
488	3797412	Shim	Justerbricka	2	0.5
488	3797413	Shim	Justerbricka	2	0.6
488	3797414	Shim	Justerbricka	2	0.7
488	3797415	Shim	Justerbricka	2	0.8
491	959241	Hex Socket Screw	Insexskruv	2	
492	959249	Hex Socket Screw	Insexskruv	2	
990	118800	Expanding Plug	Expanderplugg	2	
992	3782149	Grease Fitting	Smörjnippel	1	

## Kits F11-010

Part No	Title	Benämning	Remarks
3783383	Seal Kit	Tätsats	For Sawmotor
3780159	Spare Parts Kit	Reservdelssats	For Sawmotor

The seal kit comprise items 221, 222, 233 and 236.

The spare parts kit comprise items 121, 221, 222, 233, 236, 411, 431 and 440.

Item	Part No	Title	Benämning	Qty	Remarks
60	3799731	Hexagon Plug M12	Sexkantpropp M12	1	For 3782698
110	3700296	Barrel Housing Assy	Övre hus kpl	1	For 3781989 & 3781991
110	3781821	Barrel Housing Assy	Övre hus kpl	1	For 3782187 & 3782698
121	3797880	Valve Plate	Ventilskiva	1	Type H
131	944506	Hex Socket Plug	Insexpropp	1	
132	944496	Seal Washer	Tätbricka	1	
155	3797289	Chec Valve Cone	Backventilkägla	1	
157	3797290	Compression spring	Tryckfjäder	1	
160	3797292	Hex Socket Plug Assy	Sexkantpropp kpl	1	
165	3797291	Hex Socket Plug Assy	Sexkantpropp kpl	1	
168	944505	Hex Socket Plug	Insexpropp	1	
169	943907	Seal Washer	Tätbricka	1	
211	3782024	Bearing Housing	Undre hus	1	
237	914529	Retaining Ring	Spårring	1	
310	3797255	Shaft Assy	Axel kpl	1	Type K
321	909306	Flat Key	Plattkil	1	For K
411	3702959	Cylinder Barrel	Cylindertrumma	1	
431	72686	Barrel Retaining Ring	Fåstring	1	
440	3708658	Piston Assy	Kolv kpl	5	
452	3795833	Ring Gear	Kuggkrans	1	
460	3797156	Tap Rol Bearing	Kon rullager	1	
464	3797201	Spacer Ring	Distansring	1	
470	3797298	Tap Rol Bearing	Kon rullager	1	
474	907025	Lock Washer	Låsbricka	2	
475	906635	Round Nut	Rundmutter	1	
486	3797260	Guide Spacer	Styrhylsa	1	
488	3797421	Shim	Justerbricka	2	0.4
488	3797422	Shim	Justerbricka	2	0.5
488	3797423	Shim	Justerbricka	2	0.6
488	3797424	Shim	Justerbricka	2	0.7
488	3797425	Shim	Justerbricka	2	0.8
491	959243	Hex Socket Screw	Insexskruv	4	
990	118800	Expanding Plug	Expanderplug	2	
991	3799424	Speed Sensor Assy	Varvtalsgivare kpl	1	For 3782187
992	3782149	Grease Fitting	Smörjnippl	1	

## Kits F11-019

Part No	Title	Benämning	Remarks
3783384	Seal Kit	Tätsats	For Sawmotor
3780160	Spare Parts Kit	Reservdelssats	For Sawmotor

The seal kit comprise items 221, 222, 233 and 236.

The spare parts kit comprise items 121, 221, 222, 233, 236, 411, 431 and 440.