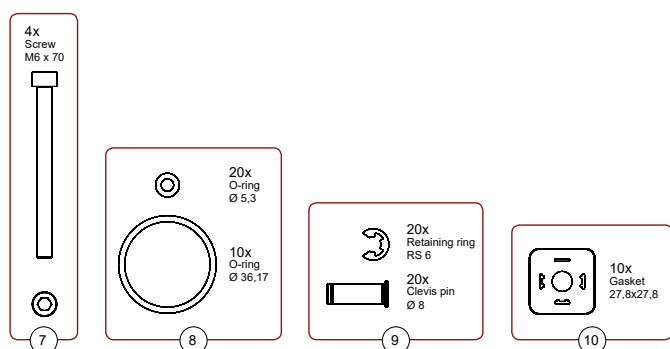
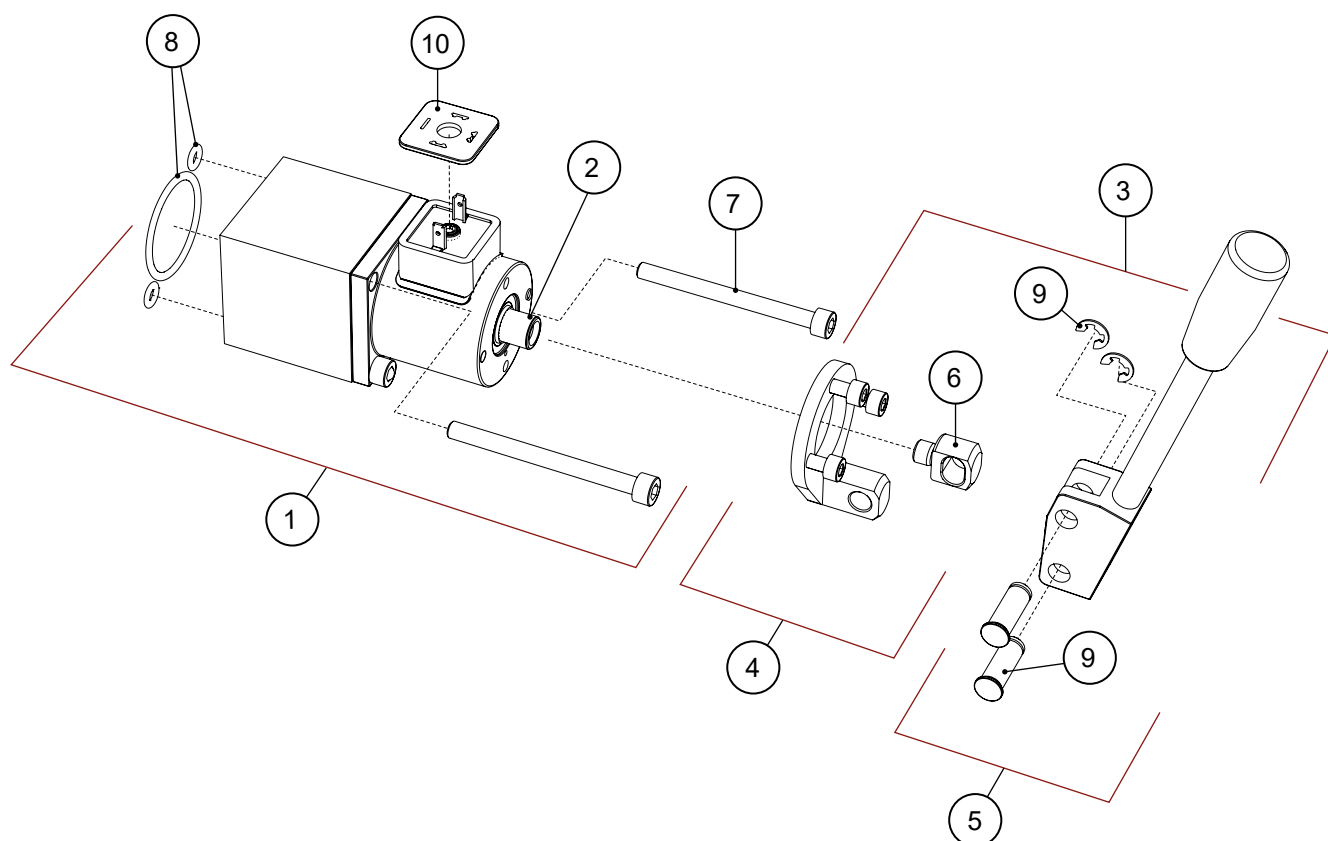


# Positioner P9

## Spare parts



Pos.	Part no.	Description	Note
1	0421	Positioner P9, complete	
2	P0155	Piston rod P9	
3	V0447	Lever P9, complete	
4	V2526	Bracket kit P9	
5	V0446	Lever P9	
6	P0162	Piston end P9	
7	V9044	Screw package P9	Consumption: 1 kit per 2 Positioners
8	V9042	Sealing package TE4	Consumption: 1 kit per 10 units
9	V9043	Locking kit lever PX	Consumption: 1 kit per 10 levers
10	V9026	Sealing package TE3	Consumption: 1 kit per 10 units