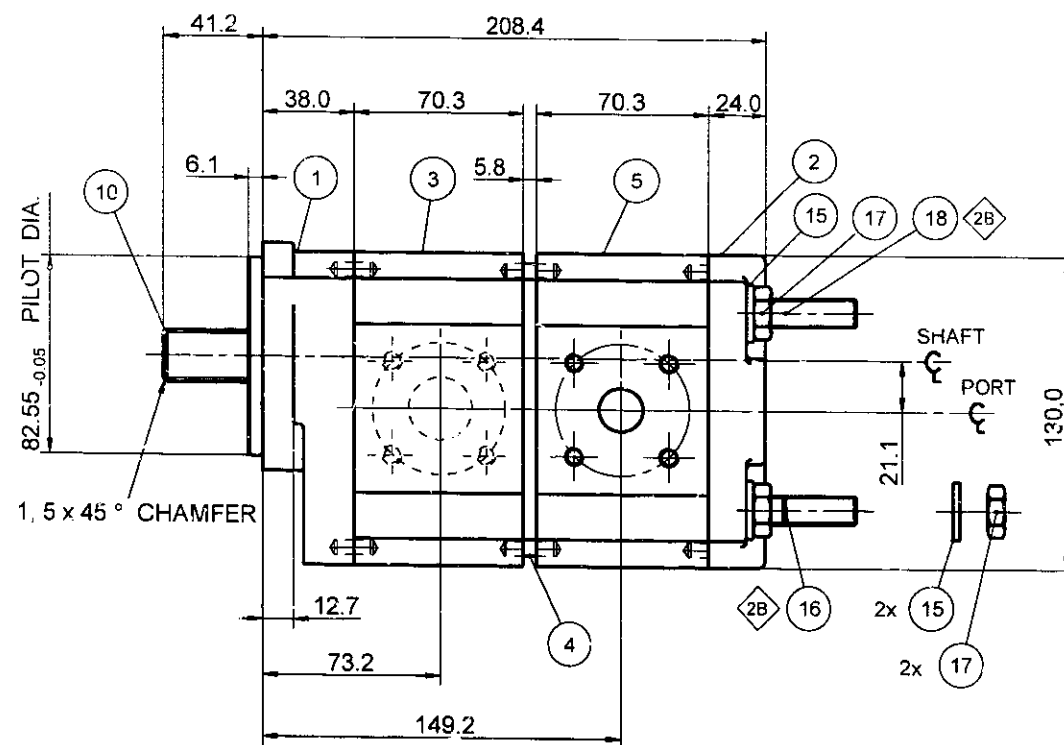
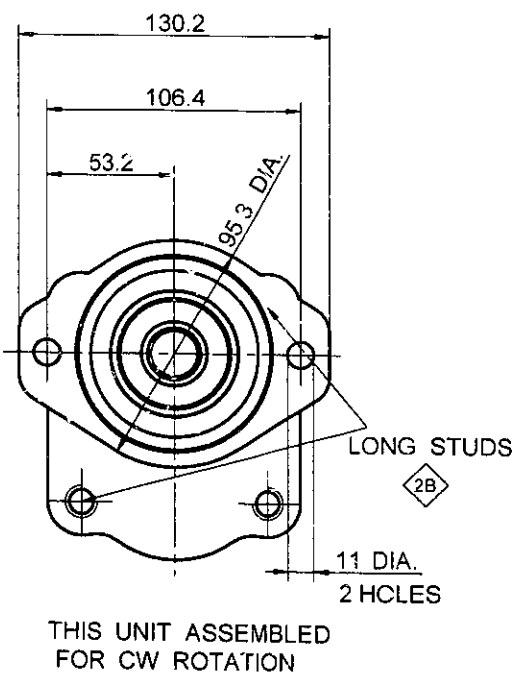


NOTE

- 1 FOR ASSEMBLY INSTRUCTIONS SEE DWG. NO. "17-B1" "P17 PUMP ASSEMBLY INSTRUCTIONS".
- 2 SECOND GEAR SET MUST BE OUT OF FACE TO FIRST SET



28	391 2882 162	4	SEAL. BK-UP	36	324 1133 001	1	SFT. CONN.
27	391 2882 161	4	SEAL. CHAN.	35	391 2080 081	2	PIN, DOWEL
26	391 2185 093	4	THRBLK/BSHG	34			
25				33			
24				32	391 1432 004	2	SCREW, DR.
23				31	391 2183 227	1	NAMEPLATE
22				30	391 2080 C80	2	PIN, DOWEL
21	391 2883 058	1	SEAL. LIP	29	391 2882 148	4	SEAL. SECT.
ITEM	PART NO	REQ'D		ITEM	PART NO	REQ'D	

BOM. COMPONENT - P17 - IGR - SGLROT							
							BOM. COMPONENT

20	SEE ABOVE	1	BOM. COMPONENT
19			
18	391 1425 612	2	STUD (230 MM)
17	391 1451 149	6	NUT, HEX
16	391 1425 493	2	STUD (200 MM)
15	391 3782 232	6	WASHER
14			
13			
12	333 2816 000	1	SET, GEAR
11			
10	333 2916 441	1	SET, GEAR SHAFT
9			
8			
7			
6			
5	333 8316 960	1	HOUSING, GEAR
4	391 2183 263	1	PLATE, MID
3	333 8316 914	1	HOUSING, GEAR
2	333 3000 100	1	HOUSING, PEC
1	333 5020 202	1	HOUSING, SEC
ITEM	PART NO	REQ'D	DESCRIPTION

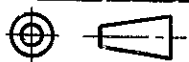
2A PUMP COMPLETELY TO BE PAINTED EXCEPT: MOUNTING FACE PORT SURFACES NAMEPLATE COLOUR: BLACK - 50µm THICKNESS

1C P17B193BE**16-65*C**16-1

THIS PRINT IS THE PROPERTY OF SACHSENHYDRAULIK GmbH CHEMNITZ GERMANY AND IS LOANED TO THE RECIPIENT SUBJECT TO RETURN UPON DEMIT CONTENTS ARE CONFIDENTIAL AND MUST NOT BE SUBMITTED TO OUTSIDE PARTIES FOR USE OR EXAMINATION				
SACHSENHYDRAULIK GmbH a unit of COMMERCIAL INTERTECH CORP				
MATERIAL	ADM CTR	P	DR BY	DATE
H.E.-STD:	REV DTE	15FEB00	UH	11OCT96
	V.T		WS	11OCT96
DIMENSIONS ARE			SCALE	1/2
			333 9120 022	
© 2000 COMMERCIAL INTERTECH CORP.				

15APR97 WS 42562
28JAN97 UH 42552

THIRD ANGLE PROJECTION



EXP NO.
73330:4022042

FIRST USED
96 - 10 - 973

333 9120 022

APR 13 2000

3A 391 1425 612 WAS 391 1425 496

SYM. REVISIONS 15FEB00 PG 42830

(16/16cc DISPLACEMENT)