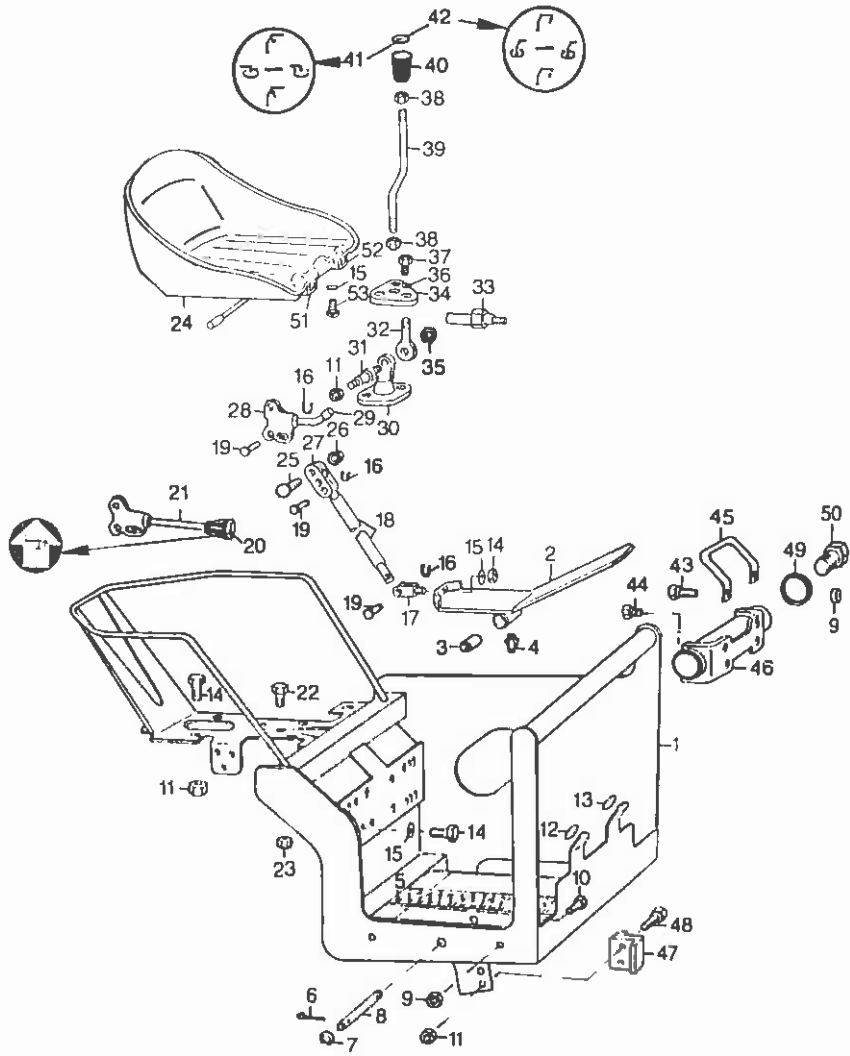


| POS | CO | ORDER | STK | BENENNUNG | DESCRIPTION | DESIGNATION | BEMERKUNG, REMARK, REMARQUE | 16.02.94 |
|-----|----|---------|-----|--------------------|---------------------|---------------------------|-----------------------------|----------|
| NO. | DE | NO. | QNT | | | | | |
| | | 3054668 | 1 | SITZKONSOLE | SEAT BRACKET | CONSOLE DE SIEGE | POS. 1-53 | |
| 1 | | 3054679 | 1 | SITZKONSOLE | SEAT BRACKET | CONSOLE DE SIEGE | | |
| 2 | | 3041572 | 2 | FUSSPEDAL | FOOT PEDAL | PEDALE | POS. 2-4 | |
| 3 | V | 0870466 | 2 | BUNDBUCHSE | BUSH | DOUILLE | | |
| 4 | | 0300569 | 1 | SCHMIERNIPPEL | GREASE NIPPLE | GRAISSEUR | | |
| 5 | | 3248695 | 3 | GLEITSCHUTZRASTE | ANTISLIPP DEV NOTCH | CRAN D'ARRET PROT CO GLIS | | |
| 6 | V | 1630628 | 4 | SPLINT A3C | SPLIT PIN A3C | GOUILLE FENDUE A3C | | |
| 7 | | 0893087 | 4 | SCHLEIBE A3C | WASHER A3C | RONDELLE A3C | | |
| 8 | | 3248719 | 2 | STECKBOLZEN | PIN | BOULON | | |
| 9 | | 1699390 | 6 | SECHSKANTMU A3C | NUT A3C | ECROU A SIX PANS A3C | | |
| 10 | | 0893236 | 12 | SECHSKTSHR A3C | BOLT A3C | VIS A TETE SIX PA A3C | | |
| 11 | | 1699356 | 22 | SECHSKANTMU A3C | NUT A3C | ECROU A SIX PANS A3C | | |
| 12 | | 0863401 | 1 | SYMBOL KUGELKNOPF | SYMBOL BALL HEAD | SYMBOLE POIGNEE A BILLE | | |
| 13 | | 0863423 | 1 | SYMBOL KUGELKNOPF | SYMBOL BALL HEAD | SYMBOLE POIGNEE A BILLE | | |
| 14 | | 0893258 | 14 | SECHSKTSHR A3C | BOLT A3C | VIS A TETE SIX PA A3C | | |
| 15 | V | 1619076 | 14 | SCHNDRR SICHERUNG | LOCK WASHER | RONDELLE | | |
| 16 | | 2687263 | 10 | KL-SICHERUNG ZN | SAFETY DEV-KL GALV | DISPOS DE SURETE-KL GALV | | |
| 17 | | 3606451 | 2 | GABELKOPF A3C | FORKHEAD A3C | FOURCHETTE A3C | | |
| 18 | | 3041618 | 2 | SCHALTROHR | CONTROL TUBE | TUBE DE COMMANDE | | |
| 19 | | 2687252 | 10 | BOLZEN ZN | PIN GALV | BOULON GALV | | |
| 20 | | 0863376 | 1 | SYMBOL KUGELKNOPF | SYMBOL BALL HEAD | SYMBOLE POIGNEE A BILLE | | |
| 21 | | 3201167 | 1 | SCHALTHEBEL | CONTROL LEVER | LEVIER DE COMMANDE | | |
| 22 | | 1309399 | 1 | SECHSKTSHR A3C | BOLT A3C | VIS A TETE SIX PA A3C | | |
| 23 | | 0893178 | 1 | SECHSKANTMU A3C | NUT A3C | ECROU A SIX PANS A3C | | |
| 24 | | 3606417 | 1 | FAHRERSITZ | DRIVER SEAT | SIEGE DE CONDUCTEUR | POS. 24, 51, 52 | |
| 25 | | 3606097 | 2 | FLACHRUNDSHR A3C | BOLT W FLA BOT A3C | VIS NOYEE A3C | | |
| 26 | | 2673381 | 2 | SECHSKANTMU V-RIPP | NUT V-RIPP | ECROU A SIX PANS V-RIPP | | |
| 27 | | 3040833 | 2 | UEBERGANGSTUECK | TRANSITION PIECE | PIECE DE TRANSITION | POS. 25-27 | |
| 28 | | 3239945 | 2 | SCHALTHEBEL | CONTROL LEVER | LEVIER DE COMMANDE | | |
| 29 | | 0471612 | 2 | SCHUTZKAPPE | PROTECTING CAP | COIFFE PROTECTRICE | | |
| 30 | | 3041594 | 2 | STUETZBOCK | SUPPORTING TRESTLE | BATI DE SUPPORT | | |



| POS NO. | CO DE | ORDER NO. | STK QNT | BENENNUNG | DESCRIPTION | DESIGNATION | BEMERKUNG, REMARK, REMARQUE | 16.02.94 |
|------------|----------|--------------|------------|-----------|-------------|-------------|-----------------------------|----------|
|------------|----------|--------------|------------|-----------|-------------|-------------|-----------------------------|----------|

| | | | | | | | | |
|----|---|---------|---|---------------------|---------------------|---------------------------|--|--|
| 31 | V | 3239536 | 4 | ACHSBOLZEN | AXLE PIN | BOULON | | |
| 32 | | 2644499 | 6 | GELENKSTANGENKOPF | JOINT ROD HEAD | TETE DE TIGE DE PISTON | | |
| 33 | V | 3239547 | 2 | ACHSBOLZEN | AXLE PIN | BOULON | | |
| 34 | | 3239558 | 2 | SCHALTPLATTE | CONTROL PLATE | PLAQUE DE COMMANDE | | |
| 35 | | 1697752 | 4 | SECHSKANTMU A3C | NUT A3C | ECROU A SIX PANS A3C | | |
| 36 | V | 1645590 | 6 | SCHNORR SICHERUNG | LOCK WASHER | RONDELLE | | |
| 37 | | 1368641 | 6 | SECHSKTSHR A3C | BOLT A3C | VIS A TETE SIX PA A3C | | |
| 38 | | 0893156 | 4 | SECHSKANTMU A3C | NUT A3C | ECROU A SIX PANS A3C | | |
| 39 | | 3239525 | 2 | SCHALTSTANGE | CONTROL ROD | TIGE DE COMMANDE | | |
| 40 | | 2301337 | 2 | GRIFF | HANDLE | POIGNEE | | |
| 41 | | 1399079 | 1 | SYMBOL KUGELKNOPF | SYMBOL BALL HEAD | SYMBOLE POIGNEE A BILLE | | |
| 42 | | 1399068 | 1 | SYMBOL KUGELKNOPF | SYMBOL BALL HEAD | SYMBOLE POIGNEE A BILLE | | |
| 43 | | 0893372 | 2 | SECHSKTSHR A3C | BOLT A3C | VIS A TETE SIX PA A3C | | |
| 44 | | 0893383 | 2 | SECHSKTSHR A3C | BOLT A3C | VIS A TETE SIX PA A3C | | |
| 45 | | 3239570 | 1 | BUEGEL | BRACKET | FOURCHETTE | | |
| 46 | | 3054715 | 1 | HALTEPLATTE | LOCKING PLATE | PLAQUE A FIXATION | | |
| 47 | | 3239514 | 1 | DISTANZSTUECK | DISTANCE PIECE | PIECE DE DISTANCE | | |
| 48 | | 1394121 | 2 | SECHSKTSHR A3C | BOLT A3C | VIS A TETE SIX PA A3C | | |
| 49 | | 1307228 | 1 | SCHEIBE A3C | WASHER A3C | RONDELLE A3C | | |
| 50 | | 1633074 | 1 | SECHSKTSHR A3C | BOLT A3C | VIS A TETE SIX PA A3C | | |
| 51 | | 3606439 | 1 | SITZSCHIENE M VERST | SEAT BAR W ADJUSTM | BARRE DE SIEGE AV REGLAGE | | |
| 52 | | 3606440 | 1 | SITZSCHIENE O VERST | SEAT BAR WQ ADJUSTM | BARRE DE SIEGE SANS REGL | | |
| 53 | | 0428653 | 4 | ZYLSHR M ISKT A3C | ALLEN SCREW A3C | VIS A SIX PA A3C | | |

| | | | | |
|------------------------------------|----------------------------------|-----------------------------------|-------------|-----------------------|
| SITZ AN DER SAEULE 3015.124.01. | COL MOUNTED SEAT 3015.124.01. | SIEGE SUR COLONNE 3015.124.01. | ATLAS 110.1 | 040.124.01.00.3015/02 |
|------------------------------------|----------------------------------|-----------------------------------|-------------|-----------------------|