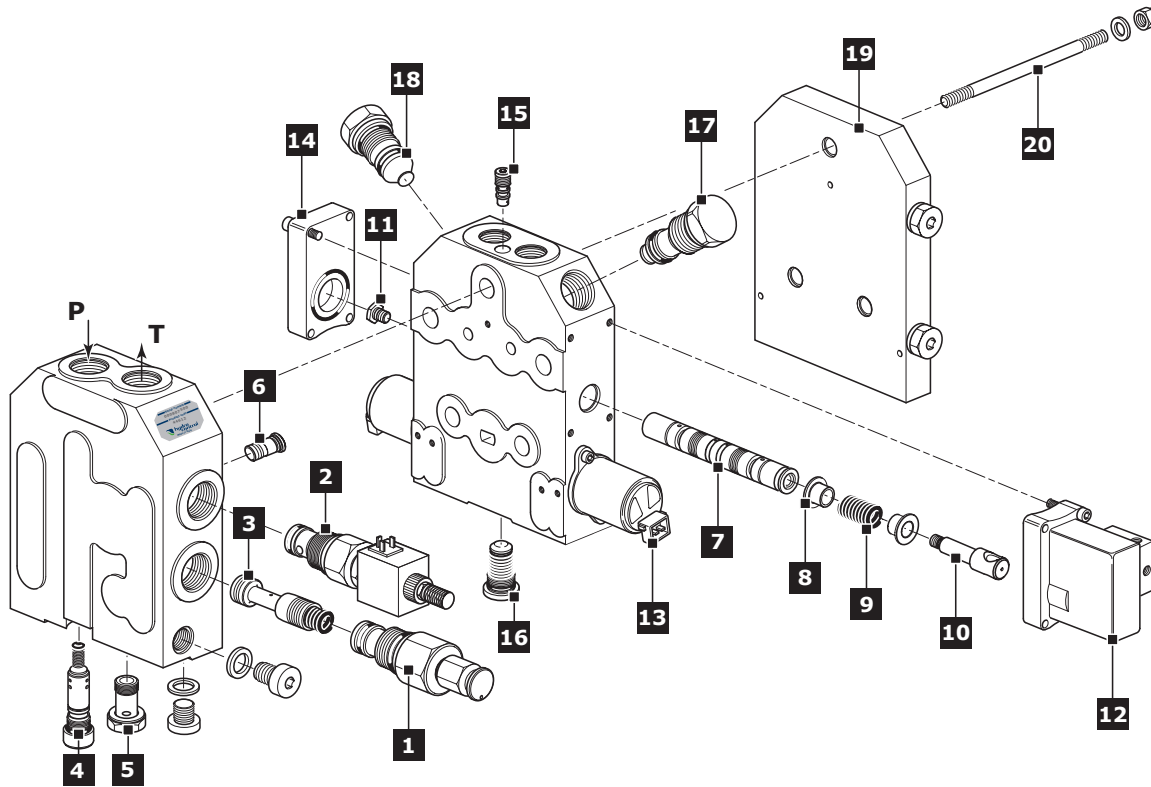


MV99 SPARE PARTS LIST



Rif.	Description	Order code	Type	Note
1	Direct acting pressure relief valve on LS signal (*) Relief valve plugged on LS signal	33208 49967 26002 430155001		Setting: 100 bar Setting: 200 bar Setting: 300 bar
2	Relief valve plugged Pilot operated pressure relief valve on full flow (*) Complete electric operated dump valve (12 vdc (**)) Complete electric operated dump valve (24 vdc (**)) Plug with pressure-gauge connection	430455001 35824 26698 80208 915045501 915045502 430455002		Setting: 100 bar Setting: 250 bar Setting: 400 bar
3	Compensator Spool	421255001 421255094		only for KV and HV only for JV
4	Pressure reducing valve kit (RDP)	320255001		
5	Control signal valve	320255002 430055002		only for KV and HV only for JV
6	Flow limiter valve	320055001		
7	3 positions double-acting spool  3 positions double-acting Aand B to tank spool	421255003 421255029 421255012 421255018 421255057 421255028 421255008 421255035 421255035 421255025 421255112 421255181	W001C-AAAA W001C-DDDD W001C-FFFF W001C-IIII W001C-NNNN W001C-ZZZZ W002C-AAAA W002C-DDDD W002C-FFFF W002C-IIII W002C-NNNN W002C-ZZZZ	
8	Spacer	421901117		
9	Spring	421801128 421801127		for lever kit for proportional kit
10	Anterior spool end kit	430055016		