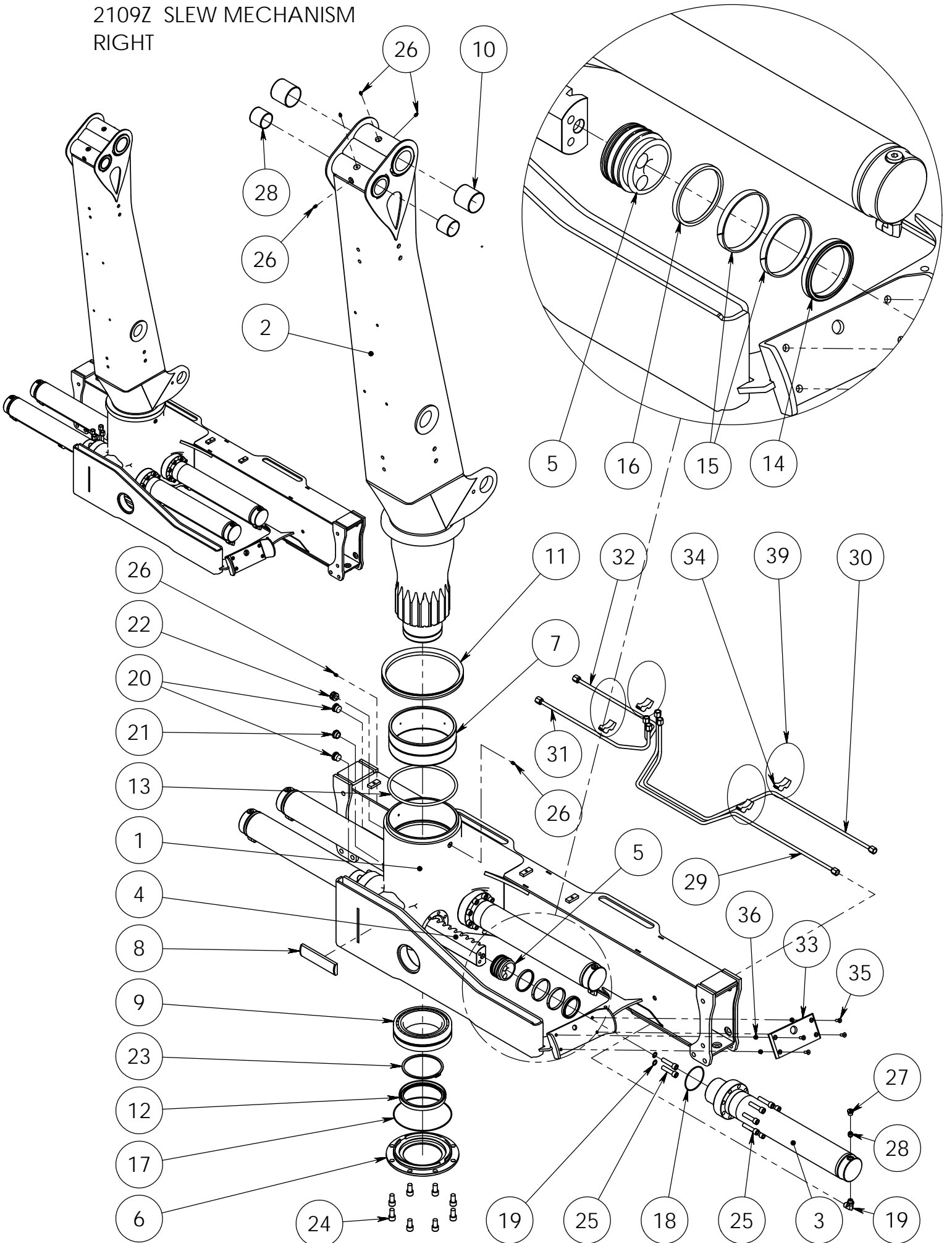


90025629

2109Z SLEW MECHANISM

RIGHT



Item code	90025629	Revision	B
Title	SLEW MECHANISM	Date	28.06.2012
Specification	RIGHT		

Pos	Item code	Title	Specification	Pc	Nto Weight
1	90025622	SLEW MECHANISM	RUNKO OIKEA HITS	1	284.19
2	90025474	PILLAR	L=2390 HITS + KON	1	256.86
3	90024152	CYLINDER	105/90-762	4	17.2
4	90026584	RACK BAR		2	20.52
5	90026585	PISTON		4	1.89
6	90021820	FLANGE	280/150-28	1	4.05
7	90012821	BEARING	260/240-100	1	0.88
8	90026037	BUSHING	17,5X50-189	2	0.17
9	3100331	ROLLER BEARING	23030CC/W33	1	7.45
10	3100187	BUSHING	WB 802 8080	2	0.41
11	3110930	SEAL	VA-300	1	1.63
12	3110565	SHAFT SEAL	150X180X15 RST	1	0.5
13	3110938	SEAL	OR 250X10 70SHORE	1	0.5
14	3110636	PISTON SEAL	B7 90/75X12	4	0.16
15	3110863	PISTON GUIDE	90/85X9.7	8	0.05
16	3110638	WIPER SEAL	PPW 90/81.4X5.3	4	0.05
17	3110771	O-RING	219.5X3.0 70 SHORE	1	0.04
18	3110639	O-RING	96X3.0 70 SHORE	4	0.02
19	3030080	WASHER	M14 KUPARIALUSLEVY	8	0
20	3090630	CONNECTOR (ANGLE)	6310-06-08	4	0.1
21	3090209	PLUG		2	0.08
22	3090294	OIL LEVEL INDICATOR		1	0.01
23	3091042	BREATHER		1	0.11
24	3060076	SNAP RING	AS 150X4 DIN 471	1	0
25	3010700	ALLEN SCREW	M16X30 8.8 ZN DIN 912	8	0
26	3010601	ALLEN SCREW	M14X60 12.9 DIN 912	40	0
27	3050003	GREASE NIPPLE	M8X1,25 DIN 71412	6	0
28	3120363	CHECK VALVE		4	0.02
29	3090210	PLUG		4	0.03
30	3100194	BUSHING	WB 802 6060	2	0.23
31	90024395	HYDRAULIC PIPE	1 RIGHT	1	0.64
32	90024393	HYDRAULIC PIPE	2 RIGHT	1	0.66
33	90024389	HYDRAULIC PIPE	3 RIGHT	1	0.33
34	90024391	HYDRAULIC PIPE	4 RIGHT	1	0.33
35	90018948	GLIDE PAD	100 X 220	1	0.22
36	3090928	FASTENER		4	0.22

Item code	90025629	Revision	B
Title	SLEW MECHANISM	Date	28.06.2012
Specification	RIGHT		

Pos	Item code	Title	Specification	Pc	Nto Weight
37	3010300	ALLEN SCREW	M8X25 10.9 ZN DIN 7991	4	0
38	3020001	NUT	M8 ZN DIN 985	4	0.01
39	3090409	TENSIONER		4	
40	3110640	SEAL KIT	90	1	0