

**SCPD 76/76 DIN is a dual flow pump with two separate flows of equal sizes.**

SCPD 76/76 DIN gives a maximum flow of  $127 + 127 = 254$  lit/min and supports a maximum working pressure of 350 bar. It can effectively be directly mounted on gear boxes equipped with engageable and disengageable power take-offs.

SCPD 76/76 is a modern, compact pump, which meets the market's high demands on flow performance, pressure, efficiency and small installation dimensions.

It is speed optimized and therefore supplied for either left (L) or right (R) rotation direction.

**Other advantages:**

- Large displacement gives the possibility of low engine speeds and low noise levels.
- Long life due to high demands on material selection, such as bearings, seals, etc.
- O-rings on all contact surfaces as well as double shaft seals eliminate oil leakage from the pump and power takeoff.
- Highest displacement-to-size-ratio on the market.

## Versions, main data

Example

SC	PD	-	76/76	L	-	N	-	DL4	-	L35	-	S0	S	-	2	00
Line	1		2	3		4		5		6		7	8		9	10

Line	
SC	Sunfab Compact

7. Connection cover	
S0	Sunfab standard

1. Type	
PD	Dual flow pump

8. Connections	
S	Sunfab standard

2. Displacement	
	76/76

9. Additional	
2	Optimized

3. Direction of rotation	
L	Left
R	Right

10. Accessories	
00	No accessories available

4. Sealing	
N	Nitrile

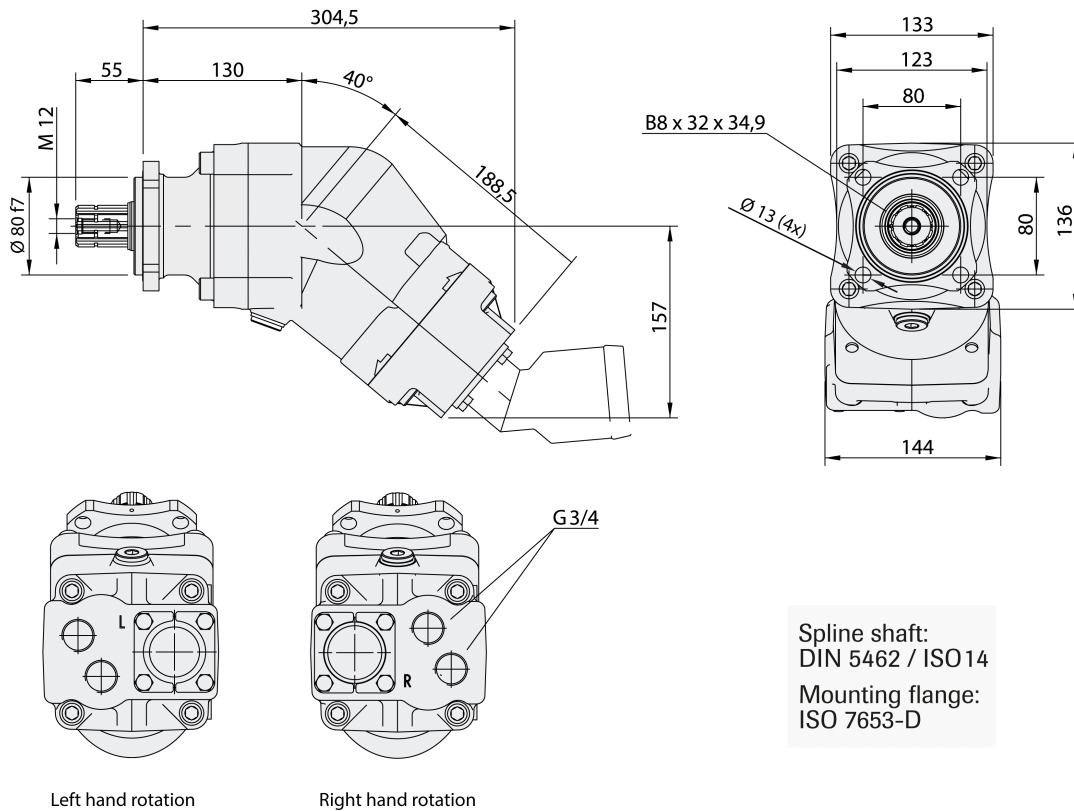
5. Mounting flange	
DL4	DIN 4-h (ISO 7653-D)

6. Shaft	
L35	DIN 5462/ISO 14

**SCPD 76/76 DIN**

Theoretical oil flow at pump speed	rpm	1000*	l/min		
		1500	75.0 + 75.0 = 150		
			112,5 + 112,5 = 225		
Displacement	cm <sup>3</sup> /rev	75 + 75			
Max pump speed continuous	rpm	1500			
limited		1700			
Max working pressure	bar	350			
Weight	kg	23.2			
Tare-weight torque	Nm	34.5			
Theoretical power at pressure and pump speed	rpm	1000*	200 Bar	250 Bar	350 Bar
		1500	25.0 + 25.0 = 50.0 kW	31.3 + 31.3 = 62.6 kW	43.8 + 43.8 = 87.6 kW
			37.5 + 37.5 = 75 kW	46.9 + 46.9 = 93.8 kW	65.6 + 65.6 = 131.2 kW
Nominal torque on pump shaft at different pressures			200 Bar	250 Bar	350 Bar
			239 + 239 = 478 Nm	298 + 298 = 596 Nm	418 + 418 = 836 Nm
Direction of rotation	Left (L) or Right (R)				

\*We recommend a minimum pump speed of 1000 rpm to obtain optimal performance, efficiency and life-span of the pump.





**WARNING**

When the pump is running:

1. Do not touch the pressure hose
2. Watch out for rotating parts
3. The pump and hoses may be hot

*Sunfab reserves the right to make changes in design and dimensions without notice. Printing and typesetting errors reserved.  
© Copyright 2015 Sunfab Hydraulics AB. All Rights Reserved.*