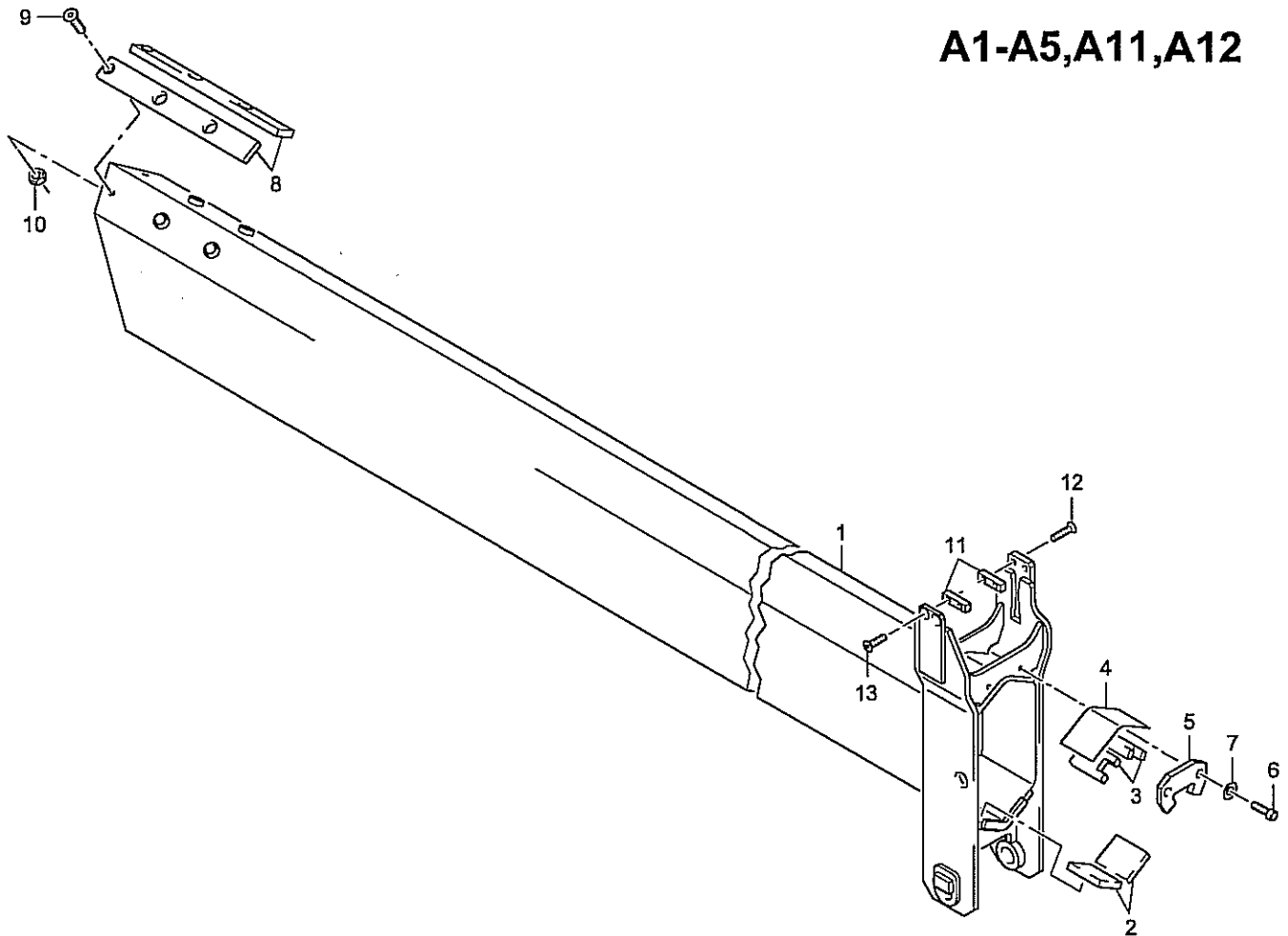


POS NO.	CO DE	ORDER NO.	STK QNT	BENENNUNG	DESCRIPTION	DESIGNATION	BEMERKUNG, REMARK, REMARQUE	08.12.2003
		4199357	1	KNICKARM	JIB	BALANCIER	POS.1-28	
1		5319491	1	KNICKARMKASTEN M BU	JIB BOX W BUSHES	BOITE BALANCIER AV DOUILL	POS.1-13,19-21	
2		5304836	1	ANSCHLAG	STOP	BUTEE		
3		0875074	3	ANSCHWEISSPLATTE	WELDING PLATE	PLAQUE DE SOUDAGE		
4		2645310	1	ANSCHWEISSPLATTE	WELDING PLATE	PLAQUE DE SOUDAGE		
5		2262226	1	VERRIEGELUNG	LOCKING DEVICE	BLOCAGE	POS.6-11	
6	V	2738641	1	BOLZEN 25/ 40/ 59	PIN 25/ 40/ 59	BOULON 25/ 40/ 59		
7		2627749	1	DRUCKFEDER	COMPRESSION SPRING	RESSORT A PRESSION		
8		2627750	1	PASSKERBSTIEF	SPLINED PIN	TENON A ENCOCHE		
9		2627761	1	KUGELKNOPF	KNOB	POIGNEE A BILLE		
10	V	0300569	1	SCHMIERNIPPEL	GREASE NIPPLE	GRAISSEUR		
11		2738630	1	GEHAEUSE	HOUSING	CARTER		
12	V	2738425	2	LAGERBU 60/ 65X 40	BUSH 60/ 65X 40	COUSSINET 60/ 65X 40		
13	V	2378247	1	DISTANZBU 60,0X 98	SPACER 60,0X 98	DOUILLE ENTRET 60,0X 98		
14		1309195	4	ZYLSHR M ISKT A3C	ALLEN SCREW A3C	VIS A SIX PA A3C		
15	V	1619076	4	SCHNORR SICHERUNG	LOCK WASHER	RONDELLE		
16		4927495	NB	BLECH	PLATE	TOLE		
17	V	4199459	2	FUEHRUNGSSTUECK	GUIDE PIECE	PIECE DE GUIDAGE		
18	V	4927484	2	FUEHRUNGSSTUECK	GUIDE PIECE	PIECE DE GUIDAGE		
19		6051493	2	SCHUTZBUEGEL	PROTECTING BRACKET	ETRIER DE PROTECTION		
20		6041139	1	BUegel	BRACKET	FOURCHETTE		
21		4927611	1	WINKEL	ANGLE	ANGLE		
22	V	2369871	1	BOLZEN 6104 60X 180	PIN 6104 60X 180	BOULON 6104 60X 180		
23		6048512	1	HALTER 45/ 60	HOLDER	SUPPORT		
24		3653889	2	SECHSKTSHR V-RIPP	BOLT V-RIPP	VIS A TETE SIX PAN V-RIPP		
25		0893189	2	SECHSKTSHR A3C	BOLT A3C	VIS A TETE SIX PANS A3C		
26		0874960	2	DECKPLATTE ZN	COVER PLATE GALV	PLAQUE DE RECOUVREM GALV		
27		1688291	1	SHELLENKOERPER 2TLG	TWO-PART CLIP BODY	CORPS DE COLLIER EN 2 PCS		
28		1636679	1	SHELLENKOERPER 2TLG	TWO-PART CLIP BODY	CORPS DE COLLIER EN 2 PCS		

KNICKARM 3009.018.00...	JIB 3009.018.00...	BALANCIER 3009.018.00...	ATLAS 85.2 F	142.018.00.15.3009/01
----------------------------	-----------------------	-----------------------------	--------------	-----------------------

A1-A5,A11,A12



POS NO.	CO DE	ORDER NO.	STK QNT	BENENNUNG	DESCRIPTION	DESIGNATION	BEMERKUNG, REMARK, REMARQUE	19.04.2006
		6052411	1	SCHUBSTUECK 1	EXTENSION PIECE 1	PIECE D'EXTENSION 1	POS.1, 8-13 FUER, FOR, POUR A1, A11	
		6052409	1	SCHUBSTUECK 1	EXTENSION PIECE 1	PIECE D'EXTENSION 1	POS.1-13 FUER, FOR, POUR A2-A5, A12	
1		6052407	1	SCHUBSTUECK 1	EXTENSION PIECE 1	SCHUBSTUECK 1		
2	V	4927724	2	FUEHRUNGSSTUECK	GUIDE PIECE	PIECE DE GUIDAGE		
3	V	4927735	2	FUEHRUNGSSTUECK	GUIDE PIECE	PIECE DE GUIDAGE		
4		4927746	1	BLECH	PLATE	TOLE		
5		2336247	1	BLECH	PLATE	TOLE		
6		0346212	2	ZYLSHR M ISKT A3C	ALLEN SCREW A3C	VIS A SIX PA A3C		
7		0863138	2	SCHEIBE A3C	DISK A3C	DISQUE A3C		
8	V	2302543	2	FUEHRUNGSSTUECK	GUIDE PIECE	PIECE DE GUIDAGE		
9		1334925	2	SENK SHR A3C	COUNTERS SCREW A3C	VIS NOYEE A3C		
10		1356261	2	SECHSKANTMU A3C	NUT A3C	ECROU A SIX PANS A3C		
11		3242337	2	FLACHSTAHL	FLAT STEEL	ACIER PLAT		
12		3634660	2	SENK SHR A3C	COUNTERS SCREW A3C	VIS NOYEE A3C		
13		1307160	2	SENK SHR A3C	COUNTERS SCREW A3C	VIS NOYEE A3C		

SCHUBSTUECK 1 3009.018.65.10	EXTENSION PIECE 1 3009.018.65.10	PIECE D'EXTENSION 1 3009.018.65.10	ATLAS 85.2 F	142.018.65.11.3009/01
---------------------------------	-------------------------------------	---------------------------------------	--------------	-----------------------