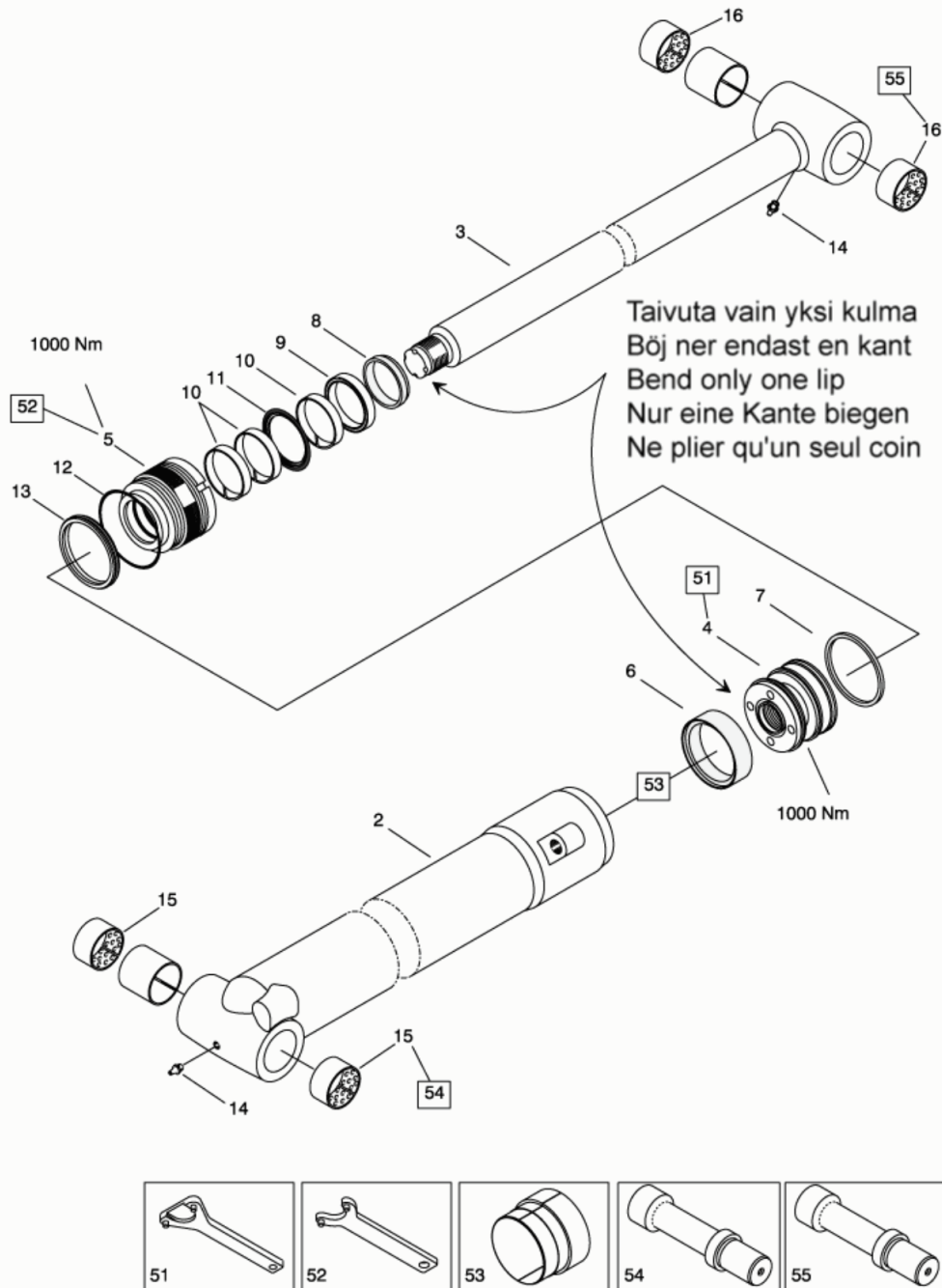


Model:F 82 S

3043103

First boom cylinder Ø125/70-720 / H=2162 / p=20,5/24 MPa

3043103 - First boom cylinder Ø125/70-720 / H=2162 / p=20,5/24 MPa



3043103 - First boom cylinder Ø125/70-720 / H=2162 / p=20,5/24 MPa

Pos	Part No	Description EN	Description DE	Quantity
1	304889	First boom cylinder	Hubzylinder	0
2	304816	Cylinder tube assy	Zylinderrohr komplett	1
3	304813	Piston rod assy	Kolbenstange komplett	1
4	210013	Piston	Kolben	1
5	210686	Cylinder cover	Zylinderdeckel	1
6	9804196	Seal	Dichtung	1
7	210016	Piston ring	Kolbenring	1
8	9808523	Wiper ring	Abstreifring	1
9	82357097	Seal	Dichtung	1
10	82357015	Locating ring	Führungsring	3
11	82379670	Seal	Dichtung	1
12	82368235	O-ring	O-Ring	1
13	82366805	Seal	Dichtung	1
14	67411010	Grease nipple	Schmiernippel	2
15	9969632	Bearing bush	Lagerbuchse	2
16	61313068	Bearing bush	Lagerbuchse	2
51	94236938	Spanner	Schlüssel	0
52	94263911	Spanner	Schlüssel	0
53	210250	Mounting tool	Montagewerkzeug	0
54	94263941	Mandrel	Dorn	0
55	94263934	Mandrel	Dorn	0
	304.310.3	First boom cylinder 3 No 82225-, 96474-	Hubzylinder 1 No 82225-, 96474-	0
Kit 210685		Seal assortment	Dichtungssatz	
6	9804196	Seal	Dichtung	1
8	9808523	Wiper ring	Abstreifring	1
9	82357097	Seal	Dichtung	1
11	82379670	Seal	Dichtung	1
12	82368235	O-ring	O-Ring	1
13	82366805	Seal	Dichtung	1