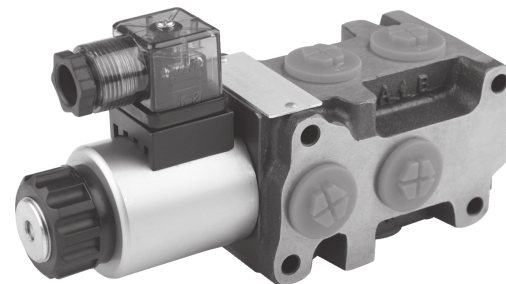


AL-MOP-6

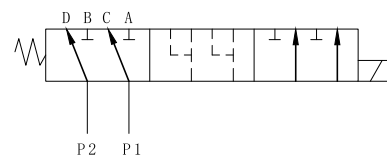
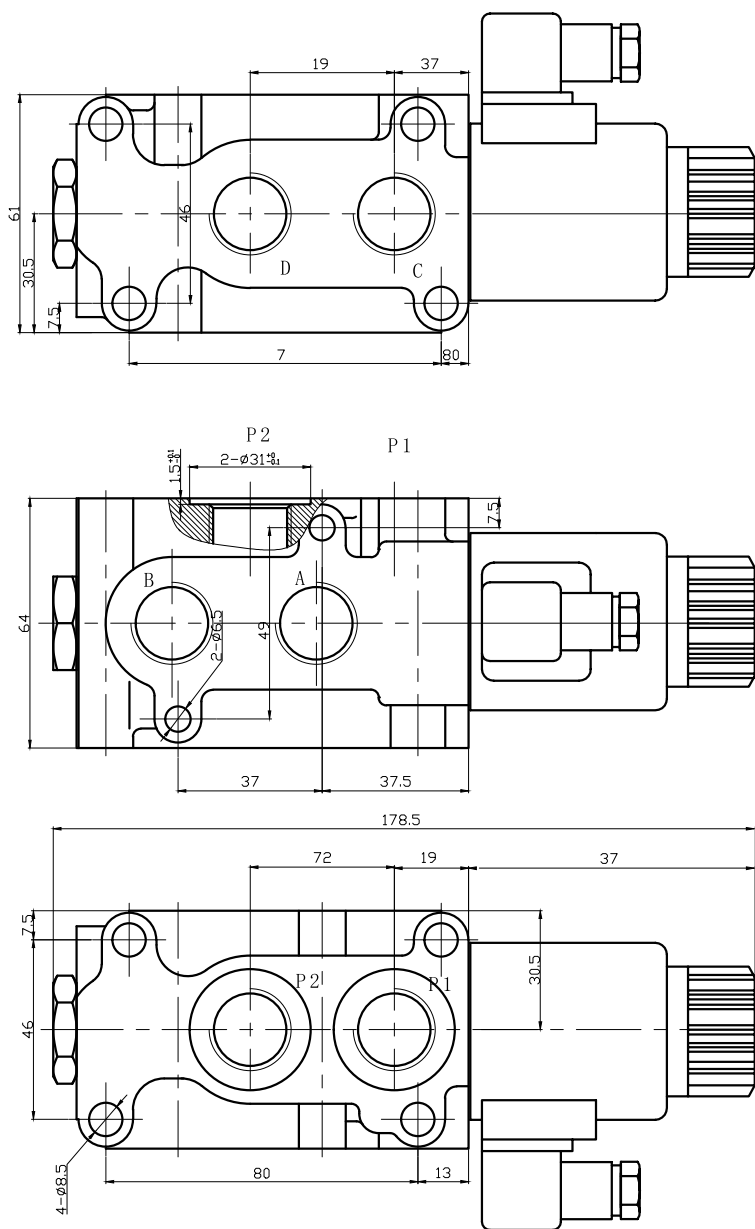
Diverter valve

Technical data

Model	AL-MOP-6
Max. flow rate (l/min)	50
Max. operating pressure (MPa)	25
Oil cleanliness	NAS1638 class 9 and ISO4406 class 20/18/15



Technical data



Ordering code

AL-MOP-6 - 1/2 - I - 12 - P

Model

Size 6

Threaded connectors 1/2", 3/4" BSP

Internal drainage

12=DC12V, 24=DC24V, **=without DC coils

P - phosphating, NP - nickel plated