



## A09 DC COILS



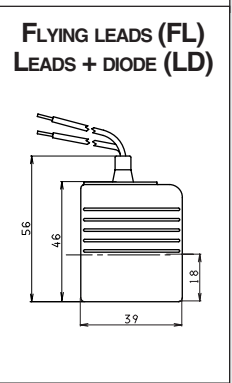
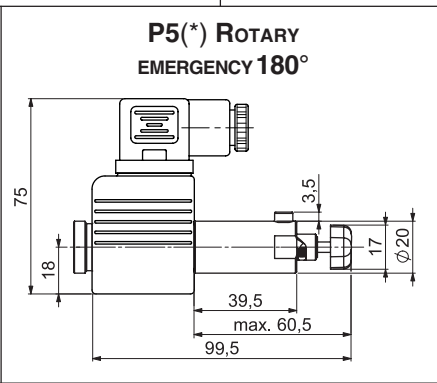
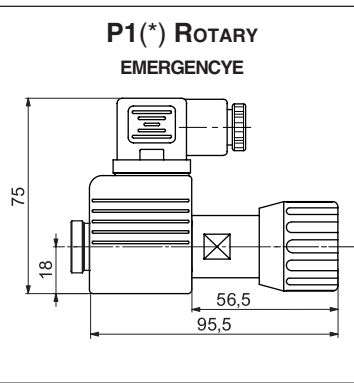
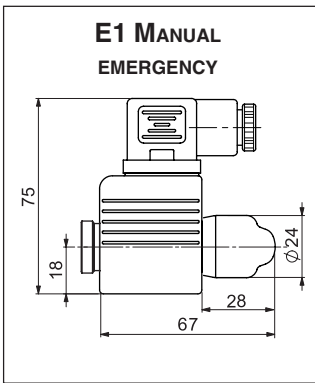
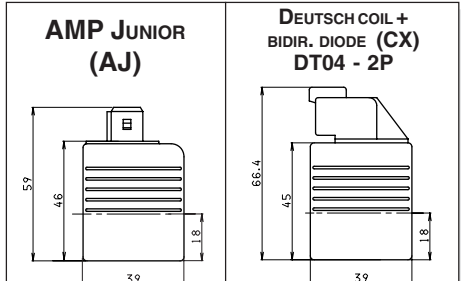
Type of protection (in relation to connector used)	IP 65
Number of cycle	18.000/h
Supply tolerance	±10%
Ambient temperature	-30°C ÷ 60°C
Duty cycle	100% ED
Insulation class	H
Weight	0,215 Kg

MOUNTING COMPATIBILITY	
<b>AD.2.E</b>	CH. I PAGE 4
<b>ADC.3...</b>	CH. I PAGE 5
<b>CDL.04...</b>	CH. I PAGE 61
<b>C3V.03...</b>	CH. V PAGE 41
<b>CDC.3...</b>	CH. V PAGE 2

VOLTAGE (V)	MAX WINDING TEMPERATURE (AMBIENT TEMPERATURE 25°C)	RATED POWER (W)	RESISTANCE AT 20°C (OHM) ±7%
12V	123°C	27	5.3
24V	123°C	27	21.3
48V*	123°C	27	85.3
102V*	123°C	27	392
110V*	123°C	27	448
205V*	123°C	27	1577

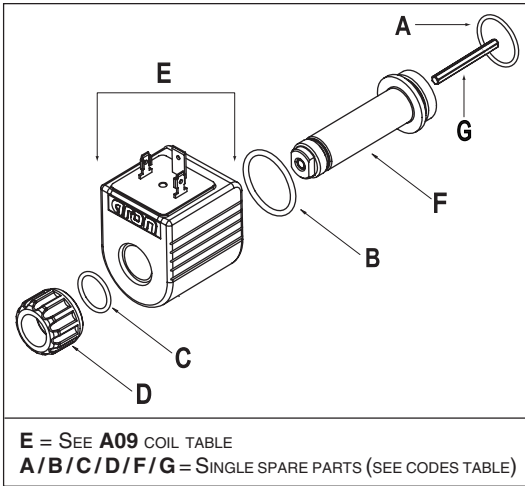
\* SPECIAL VOLTAGES

ETA09 - 04/2001/e



(\* P1 and P5 Emergency tightening torque max. 6÷9 Nm / 0.6 ÷ 0.9 Kgm with CH n. 22

## SPARE PARTS



A09 DC - 27W COIL	CONNECTIONS				
	VOLTAGE	HIRSCHMANN (STANDARD) (00)	AMP JUNIOR (AJ)	FLYING LEADS + DIODE (130) (LD)	FLYING LEADS (250) (FL)
12 V (L)	M14310001	M14320001	M14330001	M14070011	M14340001
24 V (M)	M14310002	M14320002	M14330002	M14070012	-
48V* (N)	M14310003				
102V* (Z)	M14310008				
110V* (P)	M14310005				
205V* (X)	M14310009				

(\*SPECIAL VOLTAGES) ETA09-CODE - 00/2007/e

COMPLETE KIT	AD2E	CDL04	ADC3	CDC3
COMPLETE SOLENOID'S TUBE	V85990008		V85990007	
P1 ROTARY EMERGENCY	V89990016		V89990017	
P5 ROTARY EMERGENCY 180°	-		V15050098	
E1 MANUAL EMERGENCY	M19050003			

CODE SPARE PARTS	A	B	C	D	E	F	G	MOUNTING AVAILABLE
	O RING			RING NUT	COIL	TUBE	HEX. PUSCH ROD	
AD2E	Q25831023	Q25830096	Q25860013	M37050036	SEE TABLE A09	M83060003	M74490001	C - E - F G - H - I - L D - M
CDL04							M74490002	
ADC3 / CDC3	Q25830024	Q25860023		M37050031			M74490004	-
C3V03	Q25861025	Q25860024					M74460001	C - E - F G - H
						M83060002	M74480001	-

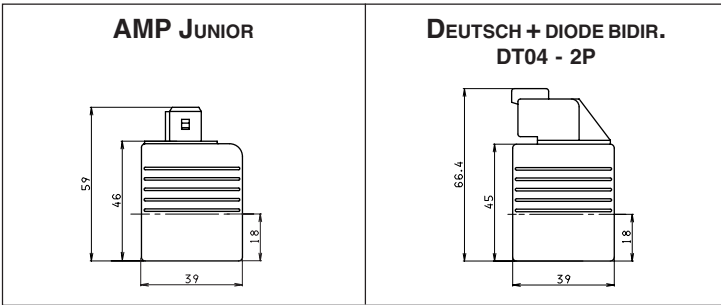


## "20W" DC COILS FOR OFF-HIGHWAY MACHINERY

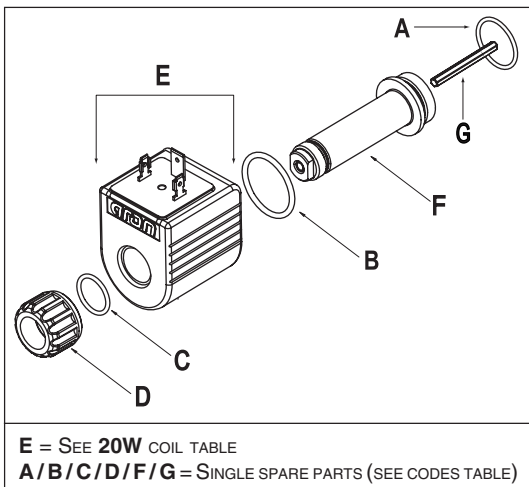
Type of protection (in relation to connector used)	IP 65
Number of cycle	18.000/h
Supply tolerance	±10%
Ambient temperature	-30°C ÷ 60°C
Duty cycle	100% ED
Insulation class	H
Weight	0,212 Kg

MOUNTING COMPATIBILITY	
<b>CRD.03...</b>	CH. V PAGE 34
<b>C3V.05...</b>	CH. V PAGE 42

VOLTAGE (V)	MAX. WINDING TEMPERATURE (AMBIENT TEMPERATURE 25°C)	RATED POWER (W)	RESISTANCE AT 20°C (OHM) ±10%
12V	-	20	7.2
ET20W - 01/2004/e			



## SPARE PARTS



20W DC COIL	CONNECTIONS	
	AMP JUNIOR (A)	DEUTSCH + BIDIR. DIODE (D)
VOLTAGE		
12V (L)	<b>M14321001</b>	<b>M14341001</b>
ET20W-CODE - 00/2007/e		

CODE SPARE PARTS	A	B	C	D	E	F	G
	O RING			RING NUT	COIL	TUBE	HEX. PUSCH ROD
CRD03 C3V05	<b>Q25861010</b>	<b>Q25860023</b>	<b>Q25830022</b>	<b>M37050031</b> <b>M37050036</b>	SEE 20W	<b>M83060007</b> <b>M83060006</b>	<b>M74480003</b> <b>M74480002</b>



## "D15" DC COILS FOR CETOP 3



Type of protection (in relation to the connector used)	IP 66
Number of cycles	18.000/h
Supply tolerance	±10%
Ambient temperature	-54°C ÷ 60°C
Duty cycle	100% ED
Insulation class	H
Weight	0,354 Kg

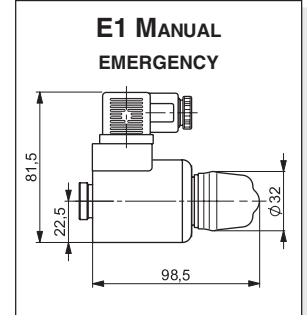
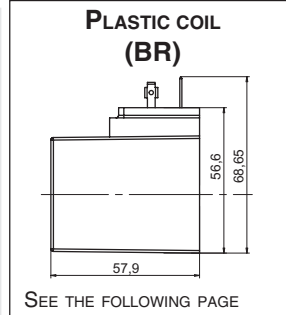
### MOUNTING COMPATIBILITY

<b>CETOP 3</b>	CH. I PAGE 8
<b>AD3.E...</b>	CH. I PAGE 11
<b>AD3.V...</b>	CH. I PAGE 13
<b>ADL.06...</b>	CH. I PAGE 64
<b>A.66...</b>	CH. IV PAGE 19
<b>CD.3...</b>	CH. XI PAGE 5

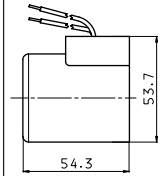
VOLTAGE (V)	MAX. WINDING TEMPERATURE (AMBIENT TEMPERATURE 25°C)	RATED POWER (W)	RESISTANCE AT 20°C (OHM) ±10%
12V	110°C	30	4.8
24V	110°C	30	18.8
28V*	110°C	30	25.6
48V*	110°C	30	75.2
102V*	110°C	30	340
110V*	110°C	30	387
205V*	110°C	30	1375

(\*) SPECIAL VOLTAGES

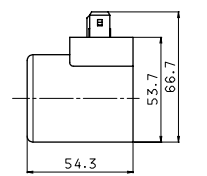
ETD15 - 04/2001/e



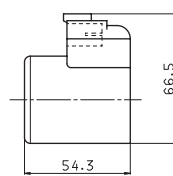
### FLYING LEADS (SL)



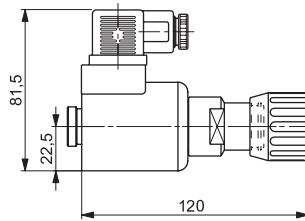
### AMP JUNIOR (AJ) AJ + DIODE (AD)



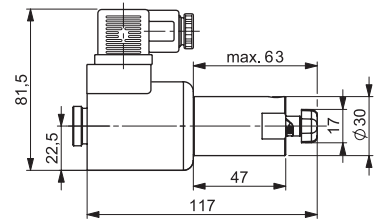
### DEUTSCH (CZ) DT04 - 2P



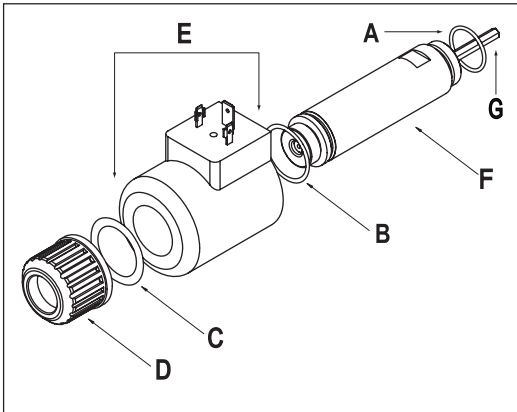
### P1 ROTARY EMERGENCY



### P5 ROTARY EMERGENCY 180°



## SPARE PARTS



E = SEE D15 COIL TABLE  
A/B/C/D/F/G = SINGLE SPARE PARTS (SEE CODES TABLE)

VOLTAGE	DC - 30W COIL					CONNECTIONS				
	HIRSCHMANN (STANDARD) (00)	AMP JUNIOR (AJ)	AMP JUNIOR + DIODE (AD)	FLYING LEADS (175) (SL)	DEUTSCH (CZ)					
12V (L)	M14450002	M14460002	M14470002	M14480002	M14490002					
24V (M)	M14450004	M14460004	M14470004	M14480004	-					
28V* (V)	M14450005									
48V* (N)	M14450006									
102V* (Z)	M14450018									
110V* (P)	M14450008									
205V* (X)	M14450019									

(\*)SPECIAL VOLTAGES

ETD15-CODE - 00/2007/e

COMPLETE KIT	AD3E	CD3	ADL06	AD3V	A66
COMPLETE SOLENOID'S TUBE	V85990003				
P1 ROTARY EMERGENCY	V89990010				
P5 ROTARY EMERGENCY 180°	V15050097		-		
E1 MANUAL EMERGENCY	M19050004				

CODE SPARE PARTS	A	B	C	D	E	F	G	MOUNTING AVAILABLE
	O RING			RING NUT	COIL	TUBE	HEX. PUSCH ROD	
AD3E CD3 AD3V ADL06	Q25830024	Q25860033	Q25830185	M37050030	SEE TABLE D15	M83130001	M74470001 M74470002 M74470003	C - E - F - M G - H - I - L D
A66							M74470004	-



## PLASTIC COIL (BR VARIANT FOR "D15" COIL)

Type of protection (in relation to the connector)	IP 66
Number of cycles	18.000/h
Supply tolerance	±10%
Ambient temperature	-54°C ÷ 60°C
Duty cycle	100% ED
Insulation class	H
Weight	0,2 Kg

MOUNTING COMPATIBILITY	
<b>CETOP 3</b>	CH. I PAGE 8
<b>AD3.E...</b>	CH. I PAGE 11
<b>ADL.06...</b>	CH. I PAGE 64

VOLTAGE (V)	MAX. WINDING TEMPERATURE (AMBIENT TEMPERATURE 25°C)	RATED POWER (W)	RESISTANCE AT 20°C (OHM) ±10%
12V	110°C	30	4.8
24V	110°C	30	18.8
28V *	110°C	30	25.6
110V *	110°C	30	387

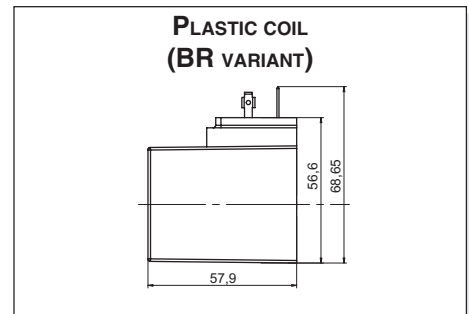
(\* ) SPECIAL VOLTAGES

ETD15BR - 00/2006/e

### SPARE PARTS

D15 PLASTIC COIL (DC / 30W)	
VOLTAGE	HIRSCHMANN (STANDARD)
12V (L)	<b>M14630002</b>
24V (M)	<b>M14630004</b>
28V* (V)	<b>M14630005</b>
110V* (P)	<b>M14630008</b>
(* )SPECIAL VOLTAGES ETD15BR-CODE - 00/2007/e	

CODE SPARE PARTS B / C / D / E / F / G		FOR BR VARIANT
<b>B</b>	O RING (TUBE)	<b>Q25830024</b>
<b>C</b>	RING NUT	<b>M37050030</b>
<b>D</b>	O RING (RING NUT)	<b>Q25830185</b>
<b>E</b>	O RING (COIL)	<b>Q25830028</b>
<b>F</b>	TUBE	<b>M83130001</b>
<b>G</b>	HEX. PUSCH ROD (MOUNTING C-E-F) (MOUNTING G-H-I) (MOUNTING D)	<b>M74470001</b> <b>M74470002</b> <b>M74470003</b>



- SEE BELOW FOR EXPLODED VIEW DRAWING
- SEE "D15" COIL STANDARD FOR BOTH EMERGENCY MANUAL E1 AND ROTARY P1.

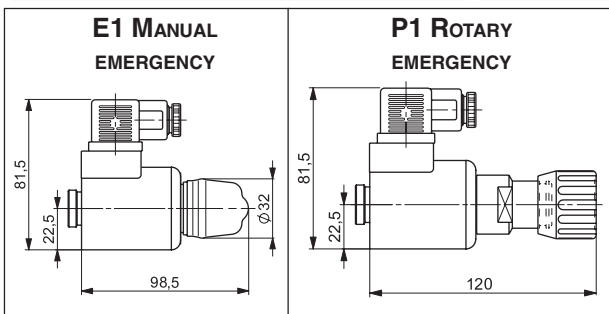


## "40W" DC COIL (FOR CDL.06...)



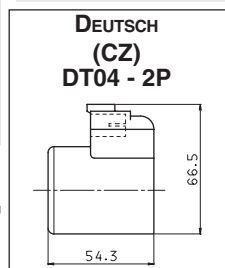
Type of protection (in relation to the connector)	IP 66
Number of cycles	18.000/h
Supply tolerance	±10%
Ambient temperature	-54°C ÷ 60°C
Duty cycle	100% ED
Insulation class	H
Weight	0,354 Kg

MOUNTING COMPATIBILITY	
<b>CDL.06...</b>	CH. I PAGE 63



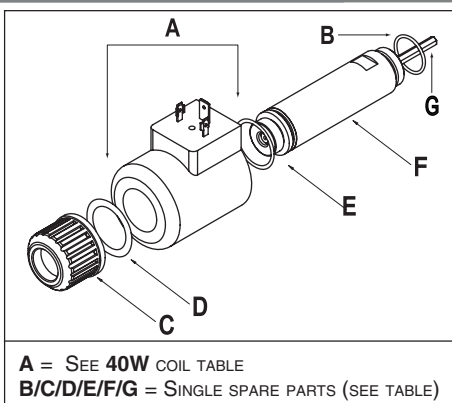
VOLTAGE (V)	MAX. WINDING TEMPERATURE (AMBIENT TEMPERATURE 25°C)	RATED POWER (W)	RESISTANCE AT 20°C (OHM) ±10%
12V	135°C	40	3.6
24V	135°C	40	14.4

ET40W - 00/2004/e



<b>COMPLETE KIT</b>	CDL06
<b>P1 ROTARY EMERGENCY</b>	<b>V89990010</b>
<b>E1 MANUAL EMERGENCY</b>	<b>M19050004</b>

### SPARE PARTS



40W DC COIL	CONNECTIONS
VOLTAGE	HIRSCHMANN (STANDARD)
12V (L)	<b>M14600001</b>
24V (M)	<b>M14600002</b>
	DEUTSCH (CZ)
12V (L)	<b>M14610001</b>
24V (M)	<b>M14610002</b>

CODE SPARE PARTS B / C / D / E / F / G		FOR CDL06
<b>B</b>	O RING (TUBE)	<b>Q25830024</b>
<b>C</b>	RING NUT	<b>M37050030</b>
<b>D</b>	O RING (RING NUT)	<b>Q25830185</b>
<b>E</b>	O RING (COIL)	<b>Q25860033</b>
<b>F</b>	TUBE	<b>M83130001</b>
<b>G</b>	HEX. PUSCH ROD	<b>M74470003</b>
ET40W-CODE - 00/2007/e		



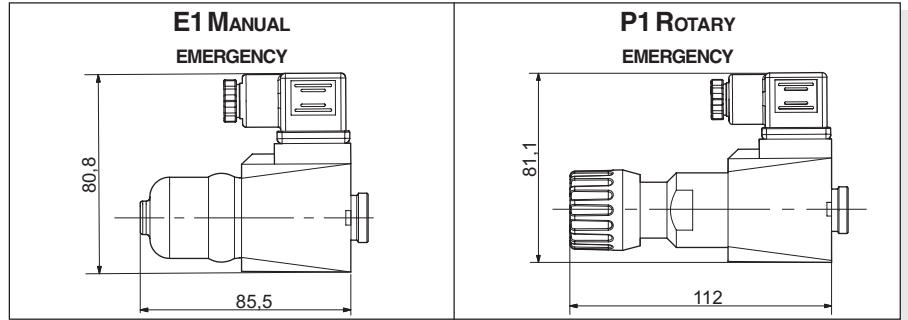
## "B14" AC SOLENOIDS FOR CETOP 3



Type of protection (in relation to the connector used)	IP 65
Number of cycles	18.000/h
Supply tolerance	+10% / -10%
Ambient temperature	-30°C ÷ 60°C
Duty cycle	100% ED
Insulation class	H
Weight	0,436 Kg

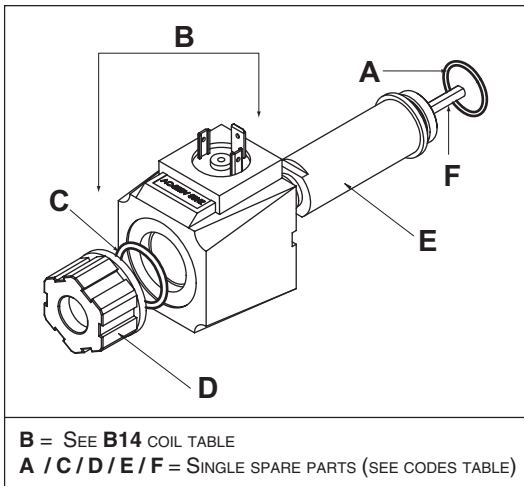
MOUNTING COMPATIBILITY	
<b>CETOP 3</b> *	CH. I PAGE 8
<b>AD3.E...</b> *	CH. I PAGE 11

(\* ) serial No. 3 (AC voltage)



Voltage (V)	Max. winding temperature (Ambient temperature 25°C)	Resistance at 20°C (OHM) ±10%
24V/50Hz - 24V/60Hz	100°C - 96°C	1.7
48V/50Hz - 48V/60Hz	—	—
115V/50Hz - 120V/60Hz	133°C - 101°C	32.5
230V/50Hz - 240V/60Hz	120°C - 103°C	134

## SPARE PARTS



B14 AC COIL	CONNECTION
<b>VOLTAGE</b>	HIRSCHMANN (STANDARD)
24V/50-60Hz (A) 48V/50-60Hz (B)	<b>M14640003</b> <b>M14640007</b>
115V/50Hz 120V/60Hz (J)	<b>M14640006</b>
230V/50Hz 240V/60Hz (Y)	<b>M14640001</b>
COMPLETE KIT	CODE
TUBE KIT	<b>V85990011</b>
ROTARY EMERGENCY <b>P1</b>	<b>V89990021</b>
MANUAL EMERGENCY <b>E1</b>	<b>M19050001</b>

12

CODE SPARE PARTS	A	B	C	D	E	F	MOUNTING AVAILABLE
	O RING	COIL	O RING	RING NUT	TUBE	HEX. PUSCH ROD	
AD3E*	<b>Q25830024</b>	SEE <b>B14</b>	<b>Q25860036</b>	<b>M37050041</b>	<b>M831100001</b>	<b>M74520001</b> <b>M74520002</b> <b>M74520003</b>	C - E - F - M G - H - I - L D

(\* ) serial No. 3 (AC voltage)



## "A16" DC COILS FOR CETOP 5



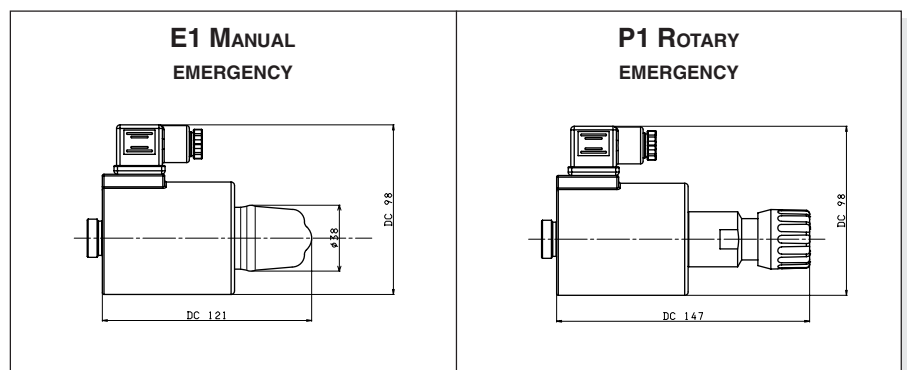
Type of protection (in relation to the connector used)	IP 65
Number of cycles	18.000/h
Supply tolerance	±10%
Ambient temperature	-30°C ÷ 60°C
Duty cycle	100% ED
Insulation class	H
Weight	0,9 Kg

MOUNTING COMPATIBILITY	
<b>CETOP 5</b>	CH. I PAGE 28
<b>AD5.E...</b>	CH. I PAGE 31
<b>CDL.10...</b>	CH. I PAGE 65
<b>ADL.10.6...</b>	CH. I PAGE 66
<b>A.88...</b>	CH. IV PAGE 33

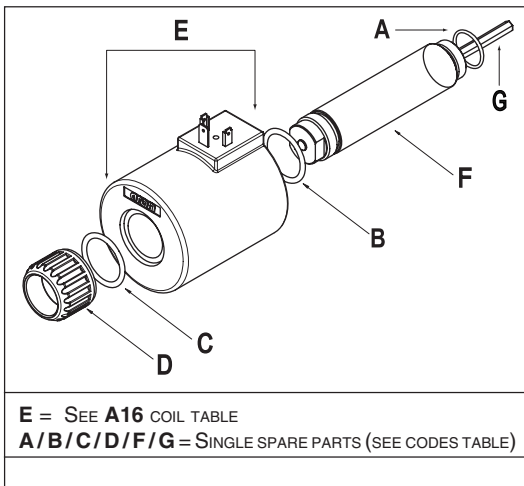
VOLTAGE (V)	MAX. WINDING TEMPERATURE (AMBIENT TEMPERATURE 25°C)	RATED POWER (W)	RESISTANCE AT 20°C (OHM) ±7%
12V	106°C	45	3.2
24V	113°C	45	12,4
48V*	-	45	-
102V*	-	45	-
110V*	118°C	45	268
205V*	-	45	-

(\*) SPECIAL VOLTAGE

ETA16 - 03/2002/e



## SPARE PARTS



A16 DC/45W COIL	CONNECTION
<b>VOLTAGE</b>	HIRSCHMANN (STANDARD)
12V (L)	<b>M14220002</b>
24V (M)	<b>M14220004</b>
48V* (N)	<b>M14220006</b>
102V* (Z)	<b>M14220013</b>
110V* (P)	<b>M14220008</b>
205V* (X)	<b>M14220014</b>
(*)SPECIAL VOLTAGES	
ETA16-CODE - 00/2007/e	

COMPLETE KIT	AD5E	CDL10	ADL10	A88
<b>P1 ROTARY EMERGENCY</b>	<b>V89990011</b>			-
<b>E1 MANUAL EMERGENCY</b>	<b>M19050002</b>			-

CODE SPARE PARTS	A	B	C	D	E	F	G	MOUNTING AVAILABLE
	O RING			RING NUT	COIL	TUBE	HEX. PUSCH ROD	
AD5E ADL/CDL10	<b>Q25830026</b>	<b>Q25860040</b>	<b>Q25860040</b>	<b>M37050033</b>	SEE A16	<b>M83160001</b>	<b>M74440002</b> <b>M74440003</b> <b>M74440004</b>	C - E - F - M G - H - I - L D
A88							<b>M74440006</b>	-

12



## "D19" DC SOLENOIDS



Type of protection (in relation to the connector used)	IP 66
Number of cycle	18.000/h
Supply tolerance	±10%
Ambient temperature	-54°C ÷ 60°C
Duty cycle	100% ED
Max static pressure	210 bar
Insulation class	H
Weight	1,63 Kg

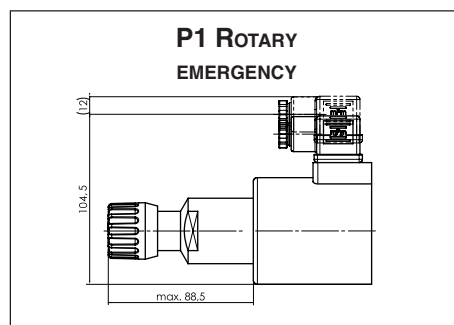
### MOUNTING COMPATIBILITY

<b>ADP.5.E...</b>	CH. I PAGE 36
<b>ADP.5.V...</b>	CH. I PAGE 39

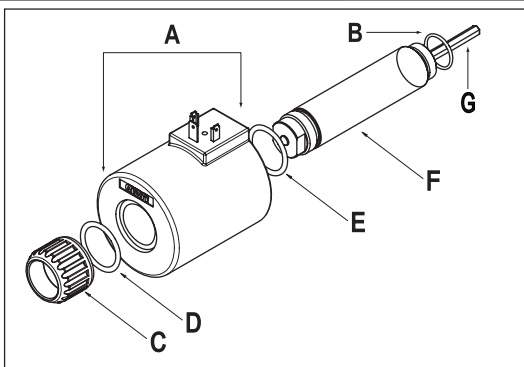
VOLTAGE (V)	MAX. WINDING TEMPERATURE (AMBIENT TEMPERATURE 25°C)	RATED POWER (W)	RESISTANCE AT 20°C (OHM) ±10%
12V	105°C	42	3.43
24V	105°C	42	13.71
48V*	105°C	42	55
102V*	105°C	42	248
110V*	105°C	42	288
205V*	105°C	42	1000

(\* ) SPECIAL VOLTAGE

ETD19 - 03/2000/e



## SPARE PARTS



A = SEE D19 COIL TABLE  
B/C/D/E/F/G = SINGLE SPARE PARTS (SEE CODES TABLE)

D19 DC/42W COIL	CONNECTION
VOLTAGE	HIRSCHMANN (STANDARD)
12V (L)	<b>M14270001</b>
24V (M)	<b>M14270002</b>
48V* (N)	<b>M14270003</b>
102V* (Z)	<b>M14270007</b>
110V* (P)	<b>M14270005</b>
205V* (X)	<b>M14270008</b>
(*)SPECIAL VOLTAGES ETD19-CODE - 00/2007/e	

COMPLETE KIT	ADP5E	ADP5V
P1 ROTARY EMERGENCY	<b>V89990012</b>	

CODE SPARE PARTS B / C / D / E / F / G	FOR ADP5E AND ADP5V
<b>B</b> O RING (TUBE)	<b>Q25830101</b>
<b>C</b> RING NUT	<b>M37050022</b>
<b>D</b> O RING (RING NUT)	<b>Q25830035</b>
<b>E</b> O RING (COIL)	<b>Q25860035</b>
<b>F</b> TUBE	<b>M83170002</b>
<b>G</b> HEX. PUSCH ROD	<b>M74380002</b>

12

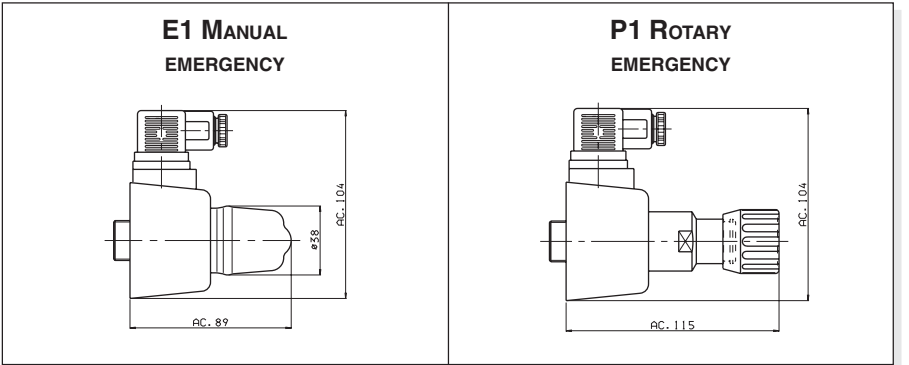


# "K16" AC SOLENOIDS FOR CETOP 5



Type of protection (in relation to the connector used)	IP 66
Number of cycles	18.000/h
Supply tolerance	+10% / -10%
Ambient temperature	-54°C ÷ 60°C
Duty cycle	100% ED
Max. pressure static	210 bar
Insulation class	H
Weight	0,8 Kg

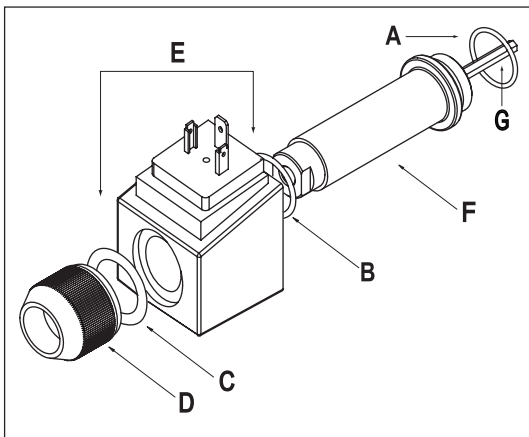
MOUNTING COMPATIBILITY	
<b>CETOP 5</b>	CH. I PAGE 28
<b>AD5.E...</b>	CH. I PAGE 31



VOLTAGE (V)	MAX. WINDING TEMPERATURE (AMBIENT TEMPERATURE 25°C)	RATED POWER (VA)	IN RUSH CURRENT ALLO SPUNTO (VA)	RESISTANCE AT 20°C (OHM) ±10%
24V/50Hz	134°C	124	454	0.56
24V/60Hz*	115°C	103.5	440	0.55
48V/50Hz*	134°C	113	453	2.10
115V/50Hz - 120V/60Hz	121°C - 138°C	-	-	10.8
230V/50Hz - 240V/60Hz	121°C - 138°C	-	-	43.0
240V/50Hz*	134°C	120	456	47.39

(\*) SPECIAL VOLTAGE ETK16 - 01/2000/e

## SPARE PARTS



E = SEE K16 COIL TABLE  
 A/B/C/D/F/G = SINGLE SPARE PARTS (SEE CODES TABLE)

K16 AC COIL	CONNECTION
<b>VOLTAGE</b>	HIRSCHMANN (STANDARD)
24V/50Hz (A)	<b>M14300010</b>
24V/60Hz* (F)	<b>M14300012</b>
48V/50Hz* (B)	<b>M14300014</b>
115V/50Hz 120V/60Hz (J)	<b>M14300029</b>
230V/50Hz 240V/60Hz (Y)	<b>M14300027</b>
240V/50Hz* (E)	<b>M14300025</b>
(*)SPECIAL VOLTAGES	ETK16-CODE - 00/2007/e

<b>COMPLETE KIT</b>	AD5E
<b>P1 ROTARY EMERGENCY</b>	<b>V89990002</b>
<b>E1 MANUAL EMERGENCY</b>	<b>M19050002</b>

CODE SPARE PARTS	A	B	C	D	E	F	G	MOUNTING AVAILABLE
	O RING			RING NUT	COIL	TUBE	HEX. PUSCH ROD	
AD5E	Q25830026	Q25860026	Q25830187	M37050005	SEE K16	M83300000	M74210000 M74160000 M74700000	C - E - F G - H - I - L D

12





## "22W" DC COILS



Type of protection (in relation to the connector)	IP 65
Number of cycles	18.000/h
Supply tolerance	+10% / -10%
Ambient temperature	-30°C ÷ 60°C
Duty cycle	100% ED
Insulation class	H
Weight	0,2 Kg

### MOUNTING COMPATIBILITY

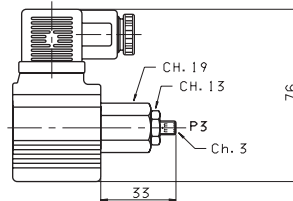
<b>CRP/CRD</b>	CH. V PAGE 31
<b>C2V.02...</b>	CH. V PAGE 39
<b>C3V.02...</b>	CH. V PAGE 40

VOLTAGE (V)	MAX. WINDING TEMPERATURE (AMBIENT TEMPERATURE 25°C)	RATED POWER (W)	RESISTANCE AT 20°C (OHM) ±10%
12V	116°C	22	6.3
24V	115°C	22	25.6
48V*	114°C	22	102
102V*	-	22	467.85
205V*	-	22	1954

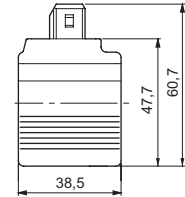
(\*) SPECIAL VOLTAGE

ET22W - 02/2000/e

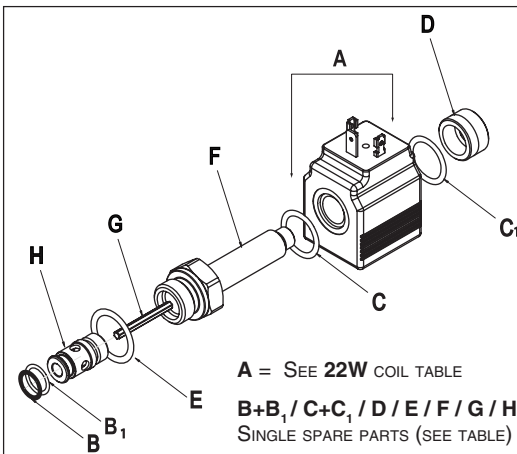
### P3 ROTARY EMERGENCY



### AMP JUNIOR (AJ)



## SPARE PARTS



22W DC COIL	CONNECTIONS	
VOLTAGE	STANDARD	AMP JUNIOR (AJ)
12V (L)	<b>M14040001</b>	<b>M14730001</b>
24V (M)	<b>M14040002</b>	<b>M14730002</b>
48V* (N)	<b>M14040003</b>	—
102V* (Z)	<b>M14040006</b>	—
205V* (X)	<b>M14040007</b>	—
(*) SPECIAL VOLTAGES		

ET20W-CODE - 01/2008/e

COMPLETE KIT	CRP02NA	CRD01/02	CRP02NC	C2V02	C3V02
<b>P3 ROTARY EMERGENCY</b>	<b>V89990014</b>	<b>V89990005</b>		-	

CODE SPARE PARTS CRP/CRD	B PARBAK	B <sub>1</sub> O RING	C + C <sub>1</sub> O RING (R. NUT/COIL)	D RING NUT	E + F TUBE (+ O RING TUBE)	G HEX. PUSCH ROD	H VALVE SEAT
CRP02NC...E					<b>R83100B83</b>	<b>M86150006</b>	
CRP02NC...S	<b>Q25780026</b>	<b>Q25830015</b>			<b>R83100B82</b>	<b>M86150004</b>	<b>M70150003</b>
CRP02NA...E					<b>R83100B84</b>	<b>M86150004</b>	
CRD01...A	<b>Q25780026</b>	<b>Q25830015</b>	<b>Q25860055</b>	<b>M37050026</b>		<b>M74440000</b>	<b>M70150004</b>
CRD01...B	<b>Q25780030</b>	<b>Q25830021</b>					<b>M70150005</b>
CRD02...A	<b>Q25780026</b>	<b>Q25830015</b>			<b>R83100B85</b>		<b>M70150004</b>
CRD02...B	<b>Q25780030</b>	<b>Q25830021</b>				<b>M74440001</b>	<b>M70150005</b>

CODE SPARE PARTS C2V/C3V02	B PARBAK	B <sub>1</sub> O RING	C + C <sub>1</sub> O RING (R. NUT/COIL)	D RING NUT	E O RING (TUBE)	F TUBE	G HEX. PUSCH ROD	H VALVE SEAT
C2V02NC...	<b>Q25780026</b>	<b>Q25830015</b>					<b>M50070002</b>	<b>M70400002</b>
C2V02NA...			<b>Q25860055</b>	<b>M37050026</b>	<b>Q25861010</b>	<b>M83040005</b>	<b>M50070003</b>	
C3V02...	—	<b>Q25880036</b> <b>Q25880045</b>					<b>M50070001</b>	<b>M70400001</b>



## "30W" DC COILS



Type of protection (in relation to the connector used)	IP 65
Number of cycles	18.000/h
Supply tolerance	+10% / -10%
Ambient temperature	-54°C ÷ 60°C
Duty cycle	100% ED
Insulation class	H
Weight	0,2 Kg

### MOUNTING COMPATIBILITY

CRD.04... CH. V PAGE 31

VOLTAGE (V)	MAX. WINDING TEMPERATURE (AMBIENT TEMPERATURE 25°C)	RATED POWER (W)	RESISTANCE AT 20°C (OHM) ±10%
12V	108°C	30	4.7
24V	108°C	30	18.8

IT30W - 02/1999/i

### E1 MANUAL EMERGENCY

FLUSSO	FORZA AZIONAMENTO
2 → 1	10N
1 → 2	10+ (2,5 x P) N

P = PRESSIONE DI UTILIZZO (BAR)

### P1 ROTARY EMERGENCY

## SPARE PARTS

**A** = SEE 30W COIL TABLE  
**B+B<sub>1</sub>+B<sub>2</sub> / C / D / E+E<sub>1</sub> / F / G / H** = SINGLE SPARE PARTS (SEE TABLE)

30W DC COIL	
12V	24V
M14100010 (L)	M14100011 (M)
ET20W-CODE - 00/2007/e	

COMPLETE KIT	CDL04
P1 ROTARY EMERGENCY	V89990007
E1 MANUAL EMERGENCY	M19050001

VERS. A	B	B <sub>1</sub>	B <sub>2</sub>	C	D	E	E <sub>1</sub>	F	G	H
		PARBAK	O RING	O RING	O RING (TUBO)	RING NUT	O RING (COIL)	O RING (RING NUT)	TUBE	HEX. PUSCHROD
	Q25780026	Q25830015	Q25831017	Q25861010	M37050004	Q25830026	Q25830183	R83200997	M74360000	M70150004
VERS. B	Q25780030	Q25830021								M70150005

12