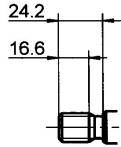
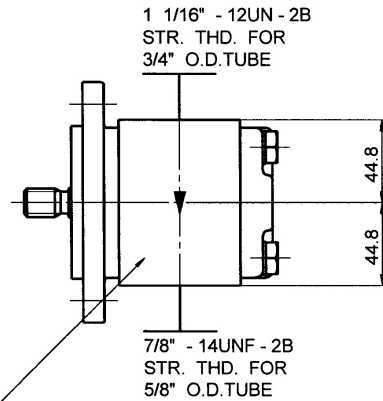


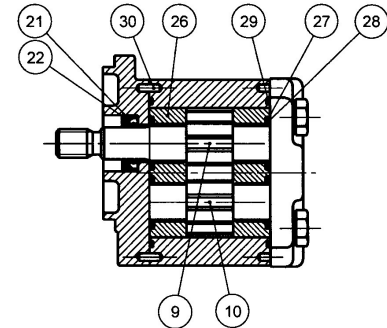
PUMP DATA	
DISPLACEMENT	16,0 ccm
MAX. CONT. PRESSURE	250 bar
SPEED RATE	500 TO 1800 min ⁻¹
MAX. INPUT SHAFT TORQUE	86 NM
ROTATION	CLOCKWISE



SAE INVOLUTE SPLINE
9 TEETH - 16/32 PITCH
FLAT ROOT SIDE FIT
MAJOR DIA. 15.32 - 15.47
MINOR DIA. 12.281 MAX.

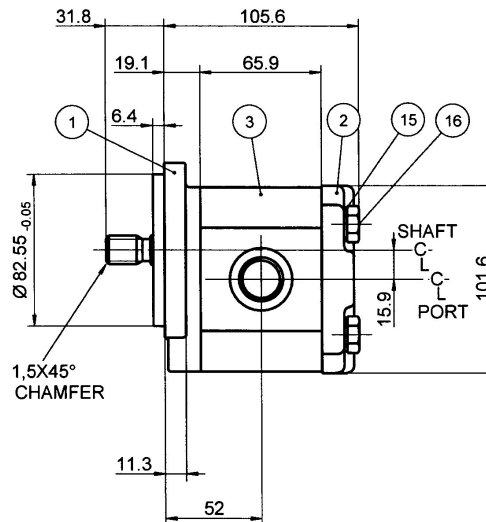
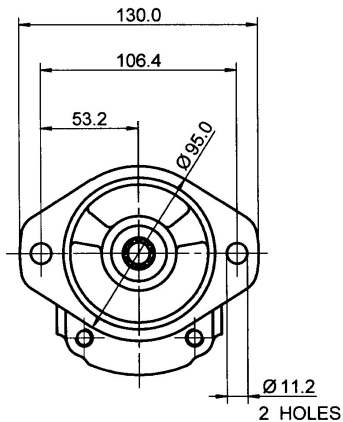


UNIT IDENTIFICATION
ON GEAR HOUSING



NOTE

1 FOR ASSEMBLY INSTRUCTIONS SEE DWG. NO. "511-B1"
"PGP511 PUMP ASSEMBLY INSTRUCTIONS".



ITEM	PART NO	REQ'D	ITEM	PART NO	REQ'D
28	8611-015-000	2	SEAL. BK-UP	36	
27	8611-016-00R	2	SEAL. CHAN.	35	
26	8898-207-00U	2	THRBLK/BSHG	34	
25				33	
24				32	
23				31	
22	9211-323-00B	1	RING, SNAP	30	391 2080 078 2
21	8301-019-00K	1	SEAL. LIP	29	9313-145-00B 2

ITEM	PART NO	REQ'D	DESCRIPTION
20			
19			
18			
17			
16	391 1401 544	4	SCREW (95 MM)
15	391 3782 231	4	WASHER
14			
13			
12			
11			
10	334 2716 000	1	DRIVEN GEAR
9	334 1116 200	1	DRIVE GEAR
8			
7			
6			
5			
4			
3	334 8116 312	1	HOUSING. GEAR
2	332 3000 100	1	HOUSING. PEC
1	334 5021 202	1	HOUSING. SEC

THIRD ANGLE PROJECTION
EXP. NO.
FIRST USED
02 - 07 - 932
334 9111 628

SYM.	REVISIONS
------	-----------

THIS DOCUMENT CONTAINS INFORMATION THAT IS CONFIDENTIAL AND PROPRIETARY TO PARKER HANNIFIN CORPORATION (PARKER). THIS DOCUMENT IS FURNISHED ON THE UNDERSTANDING THAT THE DOCUMENT AND INFORMATION WILL BE NOT COPIED OR DISCLOSED TO OTHERS OR USED FOR ANY PURPOSE OTHER THAN CONDUCTING BUSINESS WITH PARKER. AND WILL BE RETURNED AND ALL FURTHER USE DISCONTINUED UPON REQUEST BY PARKER. ALL RIGHTS RESERVED.

PGP511A0160CA1H2ND5D4B1B1

MATERIAL	ADM CTR P	DR BY	DATE	CH BY	DATE	SCALE
H.E.-STD:	REV DTE 000000	UH	05JUL02	WS	05JUL02	1/2
	WT 3.9 Kg	334 9111 628				
DIMENSIONS ARE <u>MM</u>						© 2002 Parker-Hannifin Corporation

Parker Hydraulic Controls Division
Sachsenhydraulik GmbH
Chemnitz