

**Hand pumps**

**PMO 50 e-s**

**Tech sheet**

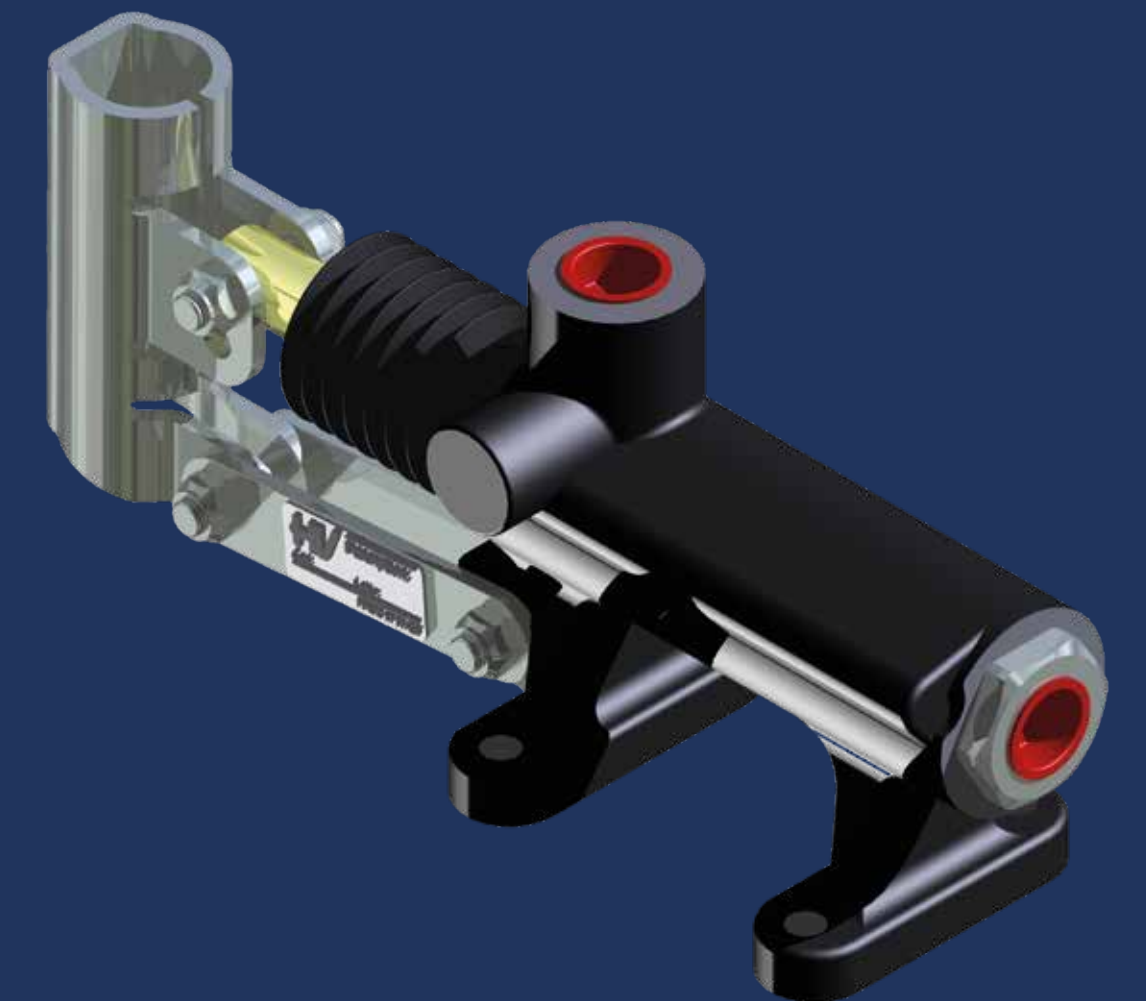
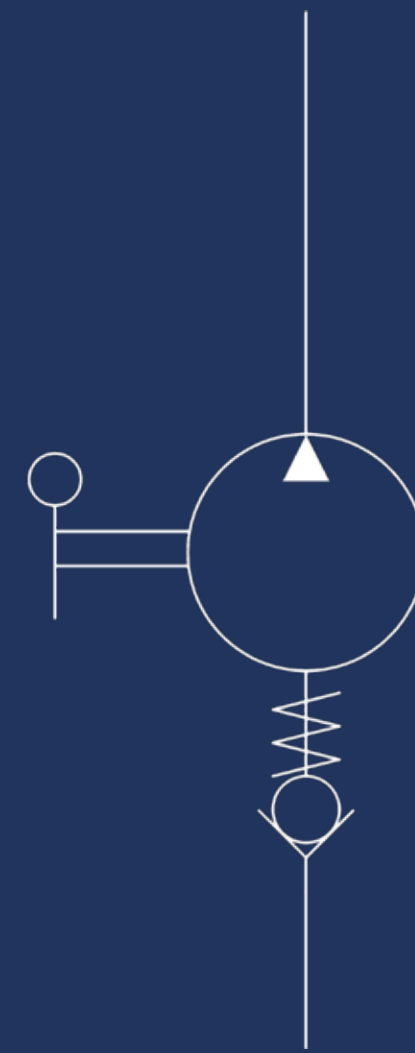
**DETAILS**

without release hand knob  
double acting hand pump for single acting cylinder  
for fixing to wall

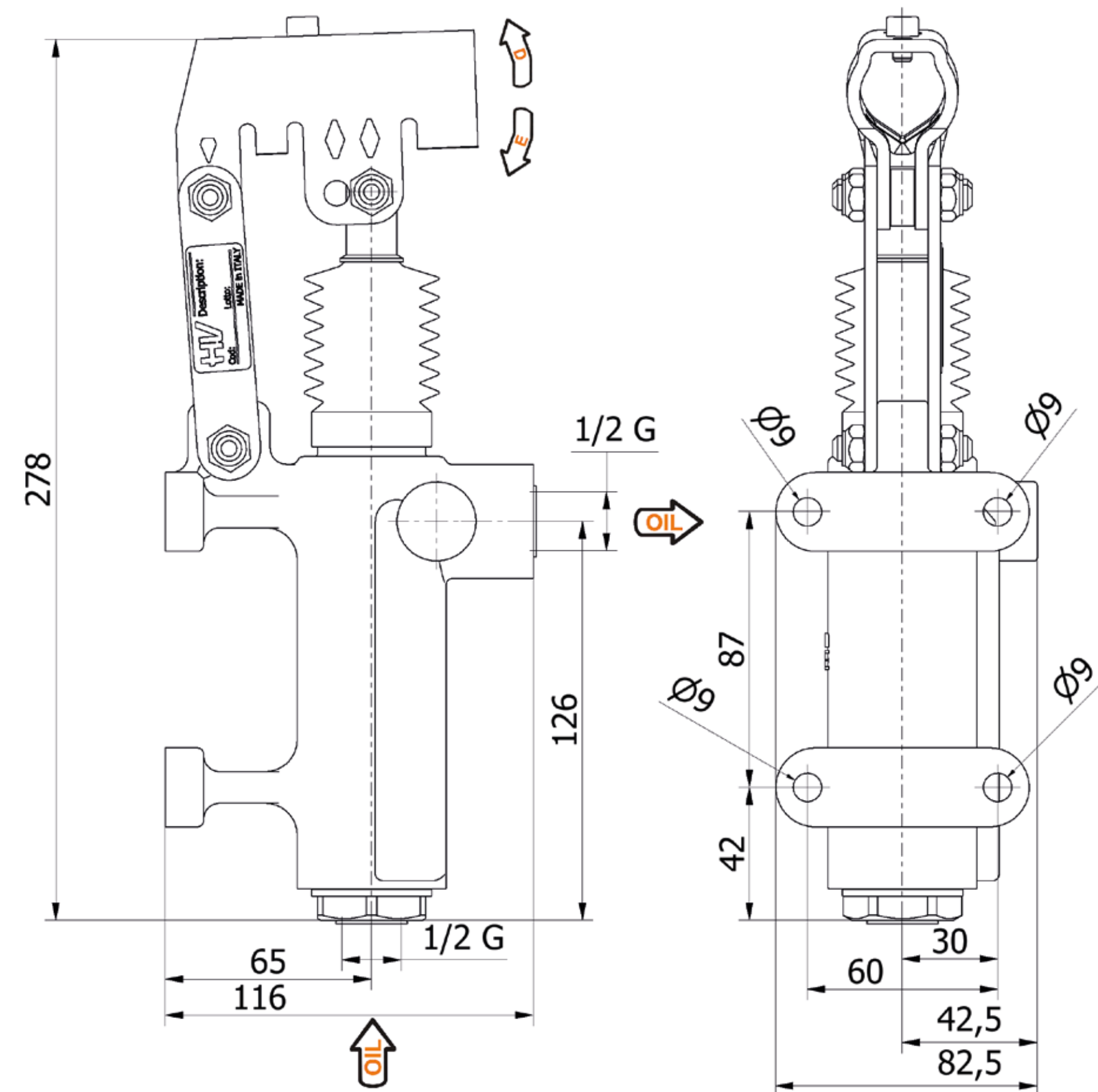
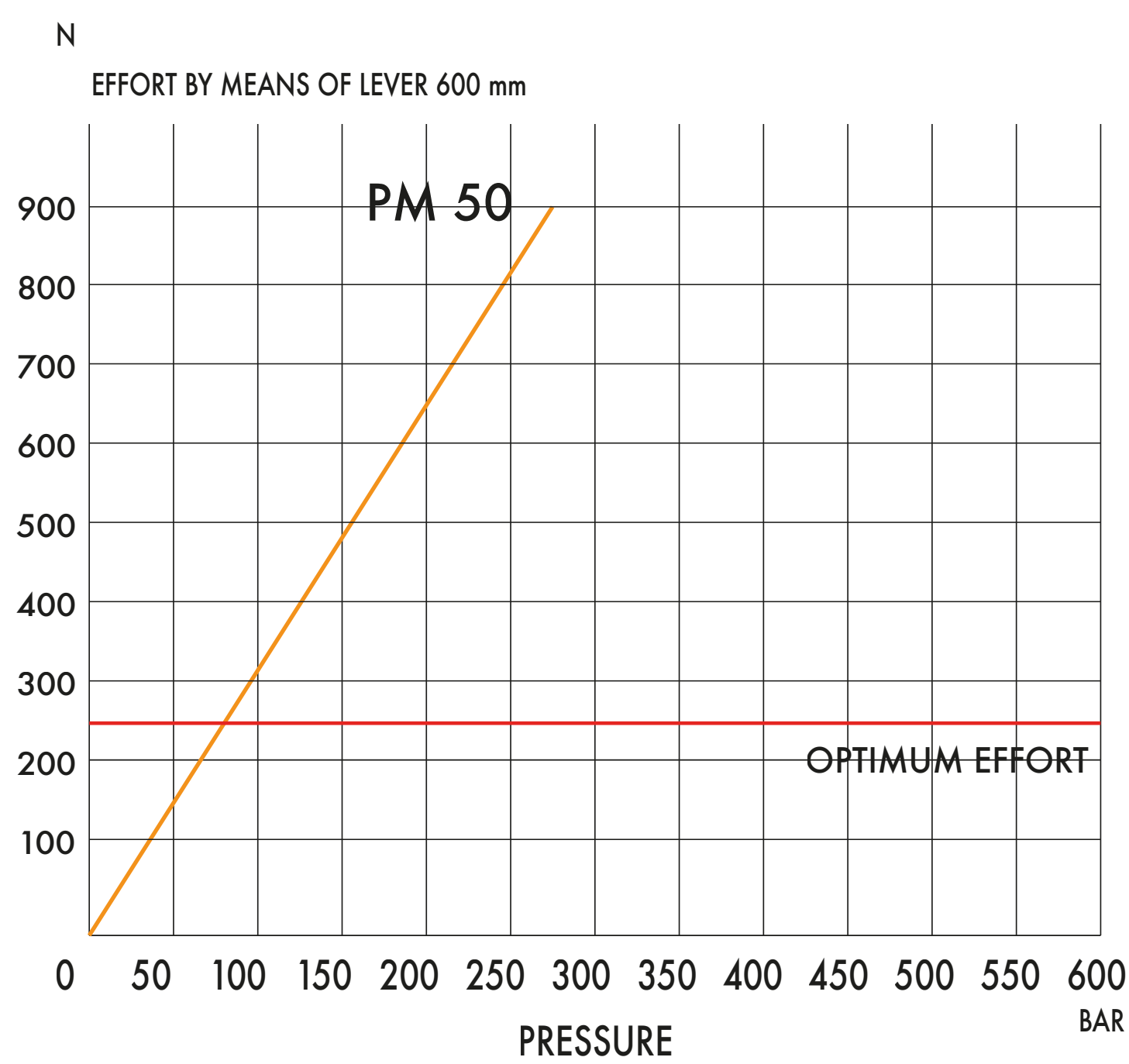
**SPECIFICATIONS**

Cast iron body  
Piston treated with Niploy  
White zinc plated support lever  
Lever connection  $\varnothing 27$   
White zinc plated external parts  
Standard colour black

**HYDRAULIC DIAGRAM**



**EFFORT DIAGRAM**



DISPLACEMENT cm <sup>3</sup>	A mm	B mm	C mm	D °	E °	ACTUAL DISPLACEMENT cm <sup>3</sup>	PRESSURE BAR		MASS KG	CODE
							OPTIMAL	MAX		
50	--	--	--	38	37	43,825	80	280	3,400	6077.0033