

Product	RS 220 , RSQ 240	Date	2017-02-16	Page	1 (1)
Part No	-	No	0199		
Author	Per Wallinder	Approved	Thomas Zakrisson		

New edition of solenoid valves for EHP

Scope: The solenoid operated proportional pressure reducing valve used in RS 220 and RSQ 240 will be changed to a new edition.

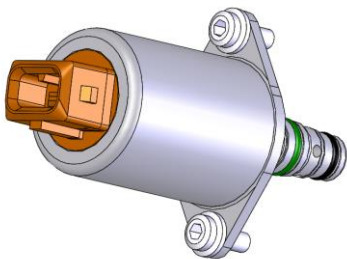
Time: The estimated implementation time to customers will be during Q3/Q4 2017.

Description: The parts will have new codes and new part numbers, (see table below).
 ER1225A replacing the current model ER52/ER62 which will be obsolete.
 ER2425A replacing the current model ER54/ER64 which will be obsolete.
 Characteristics will be the same i.e. it is not necessary to change the electrical parameters.

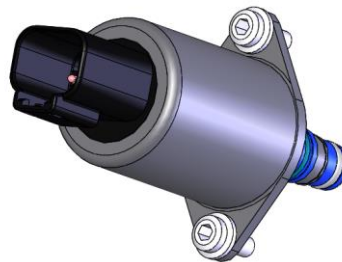
Old code	P/N old	New code	P/N new	Voltage (Volt)	Pressure range (bar)	Connector
ER52	2230-282517	ER1225A	2230-4033500	12	25	AMP Junior Timer
ER54	2230-282516	ER2425A	2230-4033534	24	25	AMP Junior Timer
ER62	2230-807642	ER1225A	2230-4033500	12	25	AMP Junior Timer
ER64	2230-807643	ER2425A	2230-4033534	24	25	AMP Junior Timer
-	-	*ER1220A	2230-4033622	12	20	AMP Junior Timer
-	-	*ER2420A	2230-4033628	24	20	AMP Junior Timer
-	-	*ER1220D	2230-4059733	12	20	Deutsch DT04-2P
-	-	*ER2420D	2230-4059757	24	20	Deutsch DT04-2P

*) ER1220A/D, ER2420A/D is available as option. (20 bar = optimized resolution)
 Requires technical investigation and different current settings (mA) compared to the 25 bar solenoids.

IDENTIFICATION

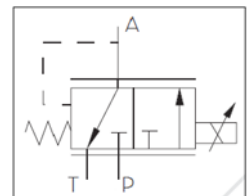


With AMP Junior Timer connector



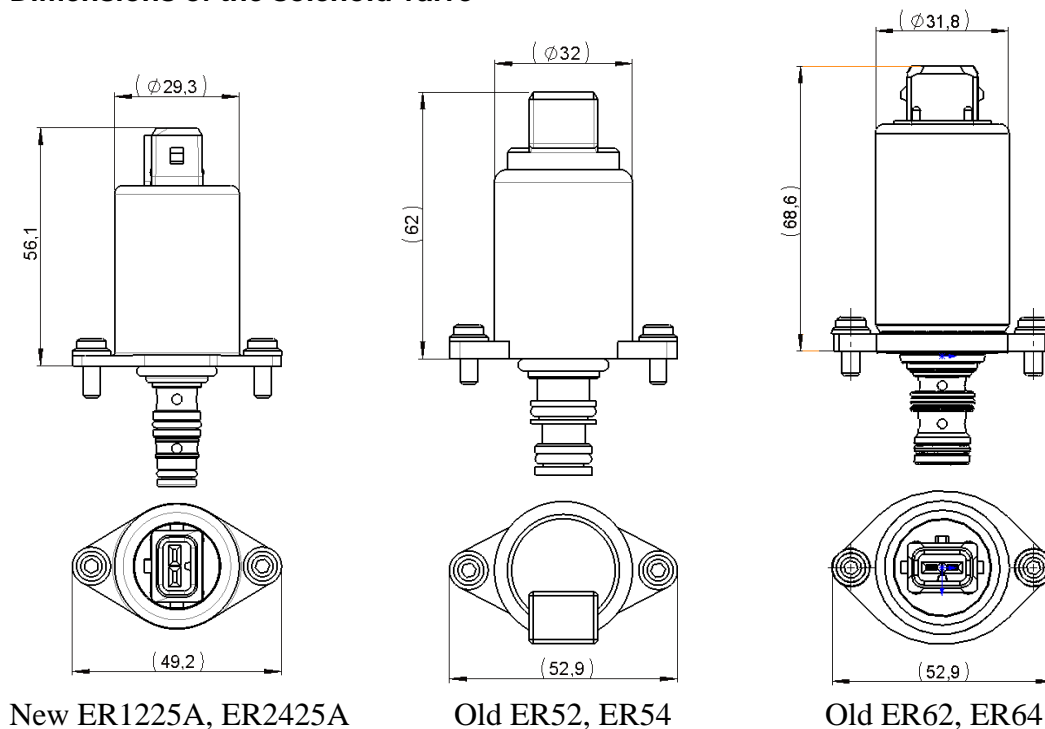
With Deutsch DT04-2P connector

SYMBOL



Product	RS 220 , RSQ 240	Date	2017-02-16	Page	2 (2)
Part No	-	No	0199		
Author	Per Wallinder	Approved	Thomas Zakrisson		

Dimensions of the solenoid valve



INTERCHANGEABILITY

No exchangeability between new and old solenoid valve because the cavities are different. This means that existing work section have to be replaced by a new section. New and old sections can be assembled next to each other because the pilot channel position will stay. This also means the existing inlets and outlets are not affected and the size/dimension for the cylinder ports will be the same as earlier.

RS 220:

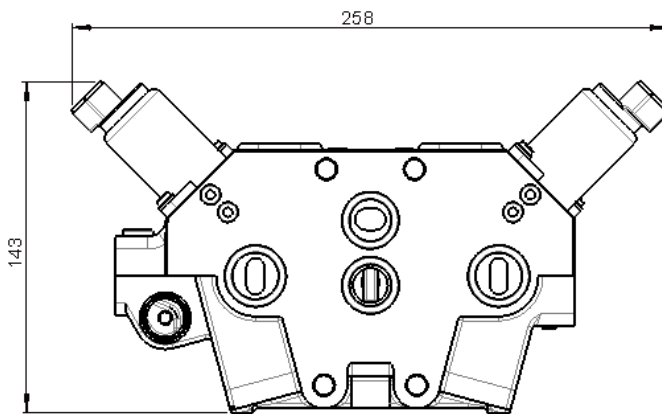
Section S01G replaced by S02G
Section S01S replaced by S02S

RSQ 240:

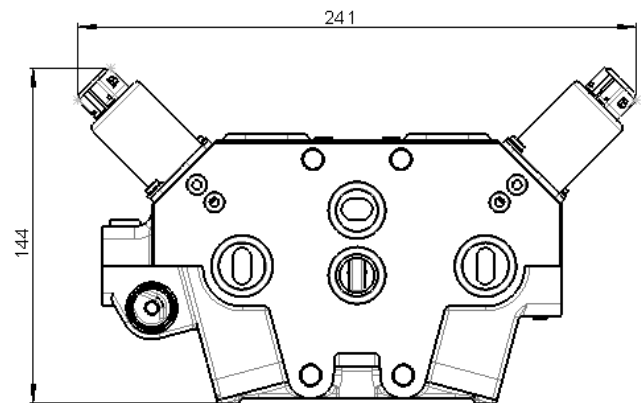
Section S11C replaced by S11E
Section S13C replaced by S13E

Product	RS 220 , RSQ 240	Date	2017-02-16	Page	3 (3)
Part No	-	No	0199		
Author	Per Wallinder	Approved	Thomas Zakrisson		

RS 220 work section dimension

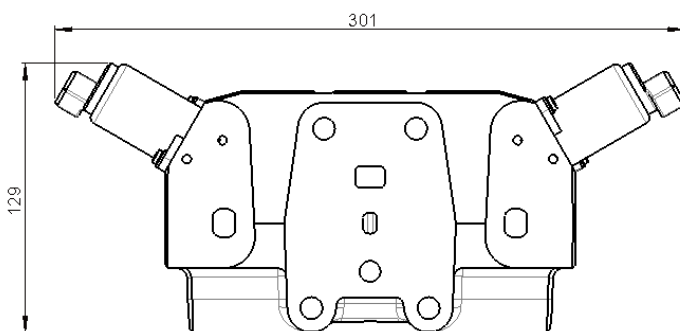


Old S01G + ER54

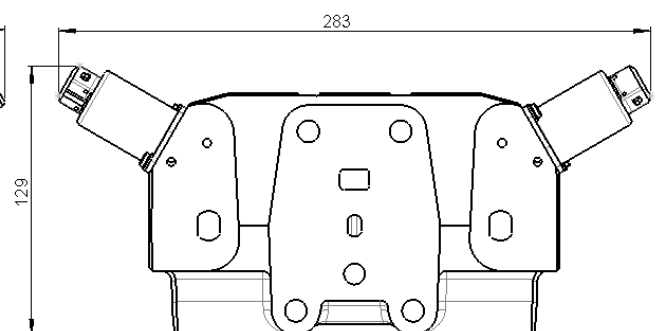


New S02G + ER1225A

RSQ 240 work section dimension



Old S11C + ER54



New S11E + ER1225A

EFFECT ON RELATED COMPONENTS

ER52 and ER54 are available as spare part and fully interchangeable with ER62/ER64.

ACTIONS

No actions needed.

Product	RS 220 , RSQ 240	Date	2017-02-16	Page	4 (4)
Part No	-	No	0199		
Author	Per Wallinder	Approved	Thomas Zakrisson		

Contact info:

Please address, within 4 week time period, any questions concerning time plan, technical information or additional support to:

Thomas Zakrisson
Manager Technical Sales
Mobile Valves



Nordhydraulic AB
P.O Box 189
SE-872 24 KRAMFORS
Phone:int. +46 (0)612-71 72 32
Mobile:int. +46 (0)70-668 79 00

Email <<mailto:thomas.zakrisson@nordhydraulic.se>>
Web: <http://www.hydac.com>