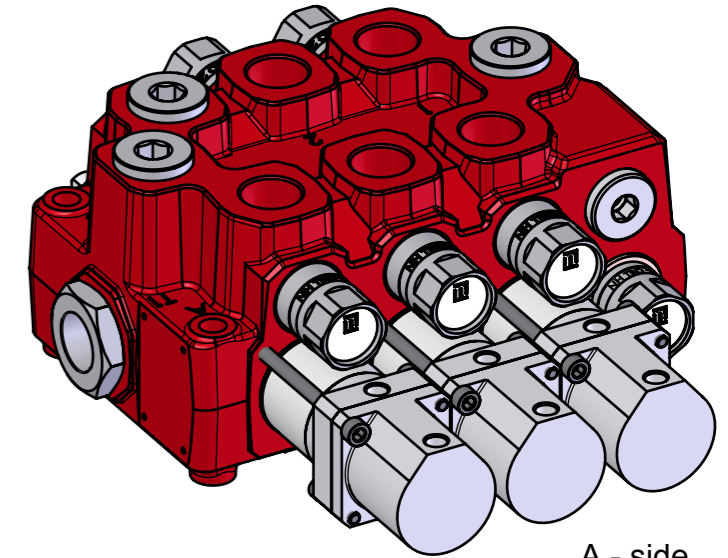


B - side



A - side

ITEM NO.	QTY.	PART NO.	SAP MTRL.NO.	DESCRIPTION
1	2	2125-3905331	6900001878	107AA1 Spool
2	1	2125-6913652	3506923	212AA1 Spool
3	1	2310-3900371	6900002245	P204 Plug
4	3	2175-804292	6900001936	PMK2 A-side Spool controls
5	3	2200-269632	3501927	M19 B-side Actuators
6	1	2250-220017	6900002062	MB01 Check valve B-side
7	3	2310-450100	6900002254	PG06 Plug G 3/4"
8	1	2275-703250	3708565	TBD205 - 250bar Service port valve
9	2	2275-701120	3506922	TBSD205 - 120bar Service port valve
10	2	2275-701180	6900011675	TBSD205 - 180bar Service port valve
11	1	2275-200244	6900002165	TBD200 - 250bar Main relief valve
12	1	2230-260058	6900001959	RG25 Reducing G 1" to G 3/4"
13	1	2310-6919227	3490193	PE50 Plug

HYDAC ADA Version	Kanter Corners ISO13715	Ytkvalitet Surface quality	ISO 1302	Generella toleranser / General tolerances - SIZE ISO 14405 (E)
				Form- och lägetolerans / Toleransklass Geometrical tolerances / Tolerance class
				Basmått / linear dimensions (mm)
				över / over t o m / to
			1:3	Material / Material
				Massa / Mass 19,500 KG
A	11.05.2016	RICKARL	820703	Ord.-/Utv.-Projekt nr Ord.-Devel.-Project-No
nr No Vers.	kontrollerad Chkd. on ändrad Modif. on	kontr. av Chkd. by ändrad av Modif. by	Ä.M.nr Notice of change No	Del / Part 001 ritad / Drawn kontr. / Chkd.
				Datum / Date
				Namn / Name

Sida Sheet of 2 / 2	Format/Size A3	SW-Vers. 2014	Benämning / Description RM273-1P-1P-212P 250bar RG25* Spare Part Drawing.	SAP Ritn. / Mat. nr. SAP Draw. / Mat. No. 3468479
				Art. nr. / Part No. 1603-01038
				NH Ritn nr. / NH Draw. No.
				Ersätter / Exchange for
				Ersatt av / Replaced by