

# Installation Guide

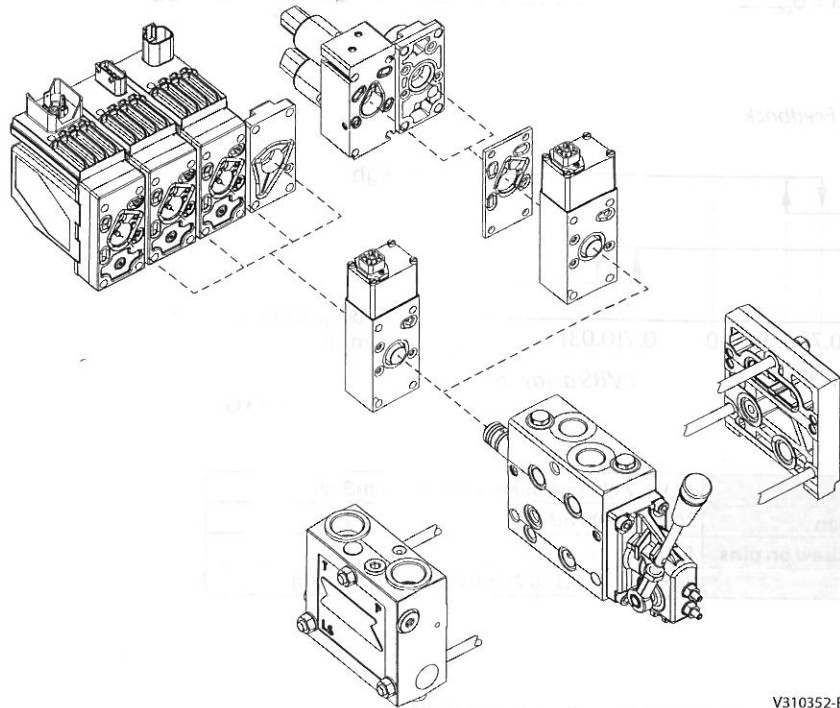
## PVDI Direction Indicator for PVG 32 and PVG 100

155R9940

155R9940

**Standardmontage:**  
**Standard Installation:**  
**Standardmontage:**  
**Montage standard:**

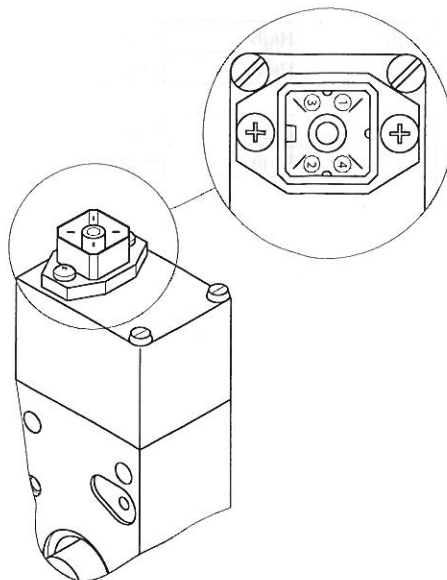
**PVDI til samme side som PVP tank port**  
**PVDI to same side as PVP tank port**  
**PVDI an der selbe seite als PVP Tankzugang**



**⚠ Warning**

PVDI is designed for PVBS with 1.5 mm [0.06 in] dead band.  
 PVDI must be shielded towards water and dust.  
 PVDI can not be used with PVMF or PVMR.

**Tilslutning**  
**Connection**  
**Anschluß**  
**Raccordement**



Pin numbers are relative to connector coding (marked black)

<b>Pin 1</b>	Not connected
<b>Pin 2</b>	DI-B
<b>Pin 3</b>	DI-A
<b>Pin 4</b>	U <sub>DC</sub>

157-297.11

**Part numbers:**

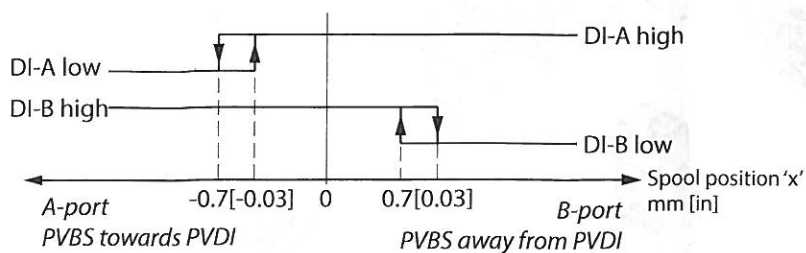
- 157B0101 PVE and PVM controlled PVBS
- 157B0104 PVHC and PVH controlled PVBS

**Setting for standard variants**

	<b>A dir</b>	<b>neutral</b>	<b>B-dir</b>
<b>DI-A pin 3</b>	low	high	high
<b>DI-B pin 2</b>	high	high	low

DI low = 0V, DI high =  $U_{DC}$ .

**Direction Indication Feedback**



157-435

<b>Voltage</b>	12 V – 24 V (minimum 10 V/maximum 30V)
<b>Current consumption</b>	10 mA – 100 mA
<b>Maximum current draw on pins</b>	5 A
<b>Switch position</b>	$\pm 0.7$ mm (+0.3/-0.2) [ $\pm 0.028$ in (+0.01/-0.01)]

**Accessories:**

Male connector for PVDI: 157B0109 DIN/Hirschmann G4W1F

**Variants**

<b>Part No.</b>	$U_{DC}$		<b>A-dir</b>	<b>neutral</b>	<b>B-dir</b>
<b>157B0105 (PVE and PVM)</b>	Pin 4	Pin 2	High	Low	Low
		Pin 3	Low	Low	High
<b>157B0102 (PVE and PVM)</b>	Pin 1	Pin 2	High	High	Low
<b>11095797 (PVHC and PVH)</b>		Pin 3	Low	High	High
<b>157B0103 (PVE and PVM)</b>	Pin 4	Pin 2	High	High	Low
		Pin 1	Low	High	High