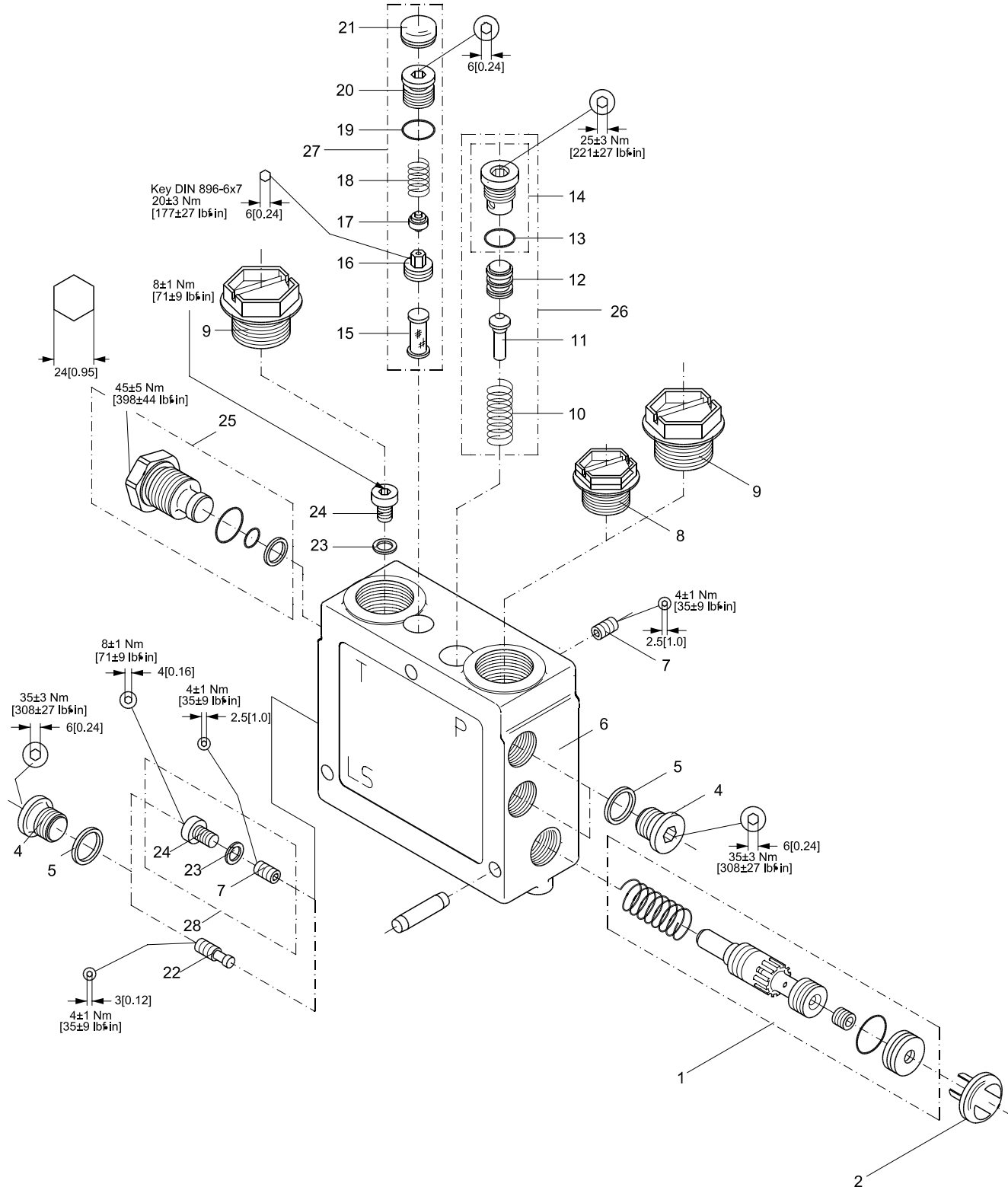
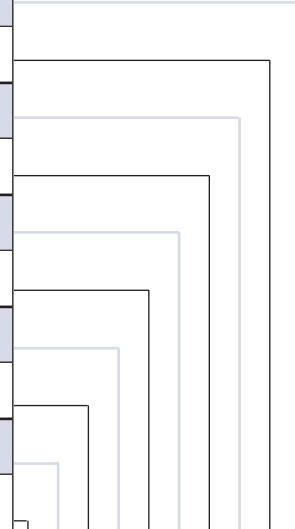


**PVP, PUMP SIDE MODULE**



**PVP, PUMP SIDE MODULE**

Type			Code No.	
			G - thread	UNF -thread
PVP Open center	P-port <	= G 1/2	157B5000	157B5200
		= 7/8-14 UNF		
PVP Open center	P-port <	= G 3/4	157B5100	157B5300
		= 1 1/16-12 UNF		
PVP Closed center	P-port <	= G 1/2	157B5001	157B5201
		= 7/8-14 UNF		
PVP Closed center	P-port <	= G 3/4	157B5101	157B5301
		= 1 1/16-12 UNF		
PVP Open center	P-port	= G 3/4	157B5102	-
PVP Closed center	P-port	= G 3/4	157B5103	-
PVP Open center	P-port <	= G 1/2	157B5010	157B5210
		= 7/8-14 UNF		
		= G 3/4		
		= 1 1/16-12 UNF		
PVP Closed center	P-port <	= G 1/2	157B5011	157B5211
		= 7/8-14 UNF		
PVP Closed center	P-port <	= G 3/4	157B5111	157B5311



Item	Description	Code No.																	
1	Inlet compensator, assy	-	1	1	1	1	1	1	1	1	1	1	1	1	1	1	1	1	1
2	Plastic plug	155L5370	1	1	1	1	1	1	1	1	1	1	1	1	1	1	1	1	1
4	Plug	G 1/4 - thread	155L6388	2	2	2	2	2	2	2	2	2	2	2	2	2	2	2	2
		1/2-20 UNF - thread	155L6406	2	2	2	2				2	2	2	2	2	2	2	2	2
5*	Washer 13.5 × 17.5 × 1.5 [0.53 × 0.69 × 0.06 in]	G / UNF - thread	684X2120	2	2	2	2	2	2	2	2	2	2	2	2	2	2	2	2
6	Housing	-	1	1	1	1	1	1	1	1	1	1	1	1	1	1	1	1	1
7	Orifice Ø1.0 × M6 [0.04 in × M6]		155L5389	2	2	1	1	1	2	2	2	2	2	2	2	2	2	2	2
8	Plastic plug	G 1/2 - thread	633X0074		1		1						1						1
		7/8 -14 UNF - thread	633X0017		1		1							1					
9	Plastic plug	G 3/4 - thread	633X0071	2	1	2	1					2	1	2	1				
		1 1/16 - 12 UNF-thread	633X7027	2	1	2	1					2	1	2	1				
10	Spring		155L5217	1	1	1	1												
	Spring		155L5396																
11	Cone		155L5376	1	1	1	1												
12	Spool		155L5377	1	1	1	1												
13*	O-ring Ø11.0 × 2.0 [0.43 × 0.08 in]		633B1818	1	1	1	1												
14	Plug (incl. item 12)		155L5150	1	1	1	1												
15	Filter		155L5365	1	1	1	1	1	1	1	1	1	1	1	1	1	1	1	1
16	Seat		155L6425	1	1	1	1	1	1	1	1	1	1	1	1	1	1	1	1
17	Thrust pad		155L6393	1	1	1	1	1	1	1	1	1	1	1	1	1	1	1	1
18	Spring		155L6370	1	1	1	1	1	1	1	1	1	1	1	1	1	1	1	1
19*	O-ring Ø9.0 × 2.0 [0.35 × 0.08 in]		633B1816	1	1	1	1	1	1	1	1	1	1	1	1	1	1	1	1
20	Adjusting screw		155L6387	1	1	1	1	1	1	1	1	1	1	1	1	1	1	1	1
21*	Plastic plug		155L6377	1	1	1	1	1	1	1	1	1	1	1	1	1	1	1	1
22	Plug M6; L = 19 [0.75 in]	Open center only	155L5153			1	1	1											1
23*	Bonded seal 6.7 × 10 × 1.0 [0.26 × 0.39 × 0.04 in]		633B9008	1	1					1	2	1	1						
24	Screw M6; L = 8 [0.31 in]		681X1506	1	1					1	2	1	1						
25	PVPX plug (see page 40)		157B5601																
26	Pilot supply		155L5157	1	1	1	1												
27	Relief valve		155L6153	1	1	1	1	1	1	1	1	1	1	1	1	1	1	1	1
28	Conversion kit open center → closed center		155L5152			1	1			1									1
*	Set of seals (see page 50)		157B5999	1	1	1	1	1	1	1	1	1	1	1	1	1	1	1	1