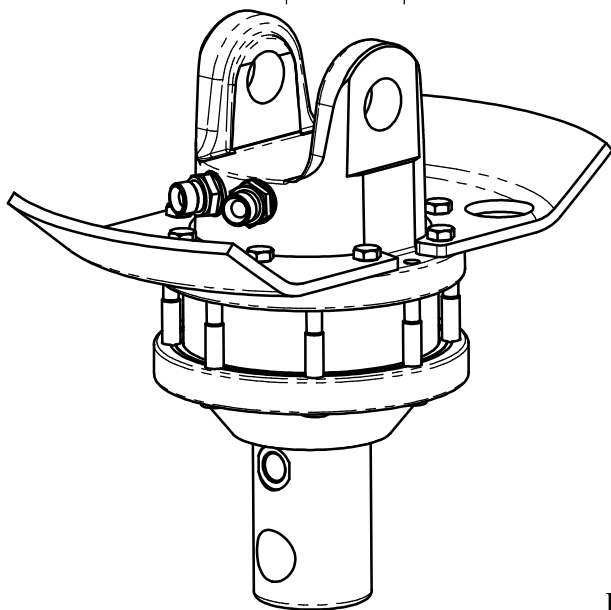
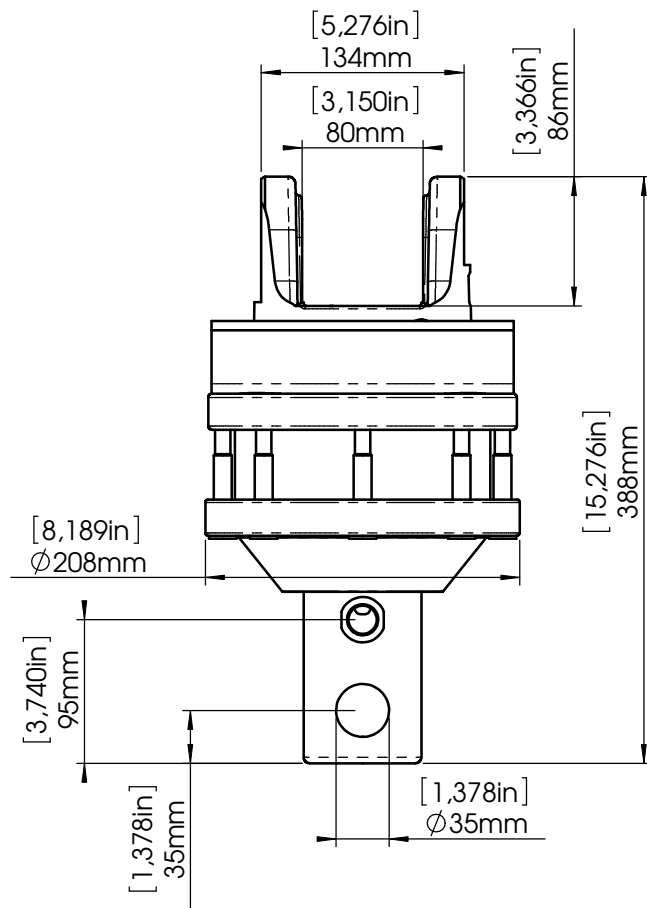
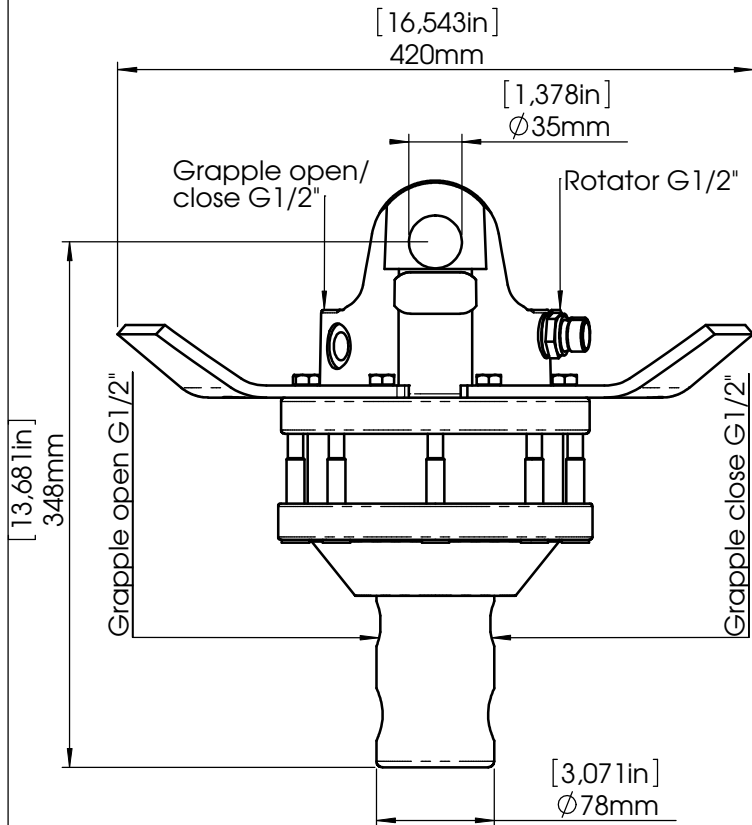
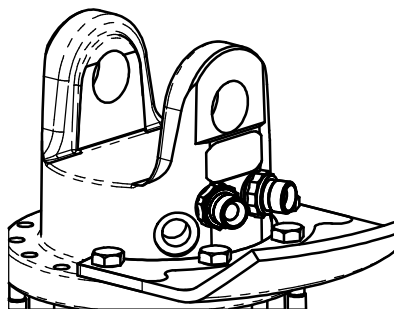


Rotator FR 21 A

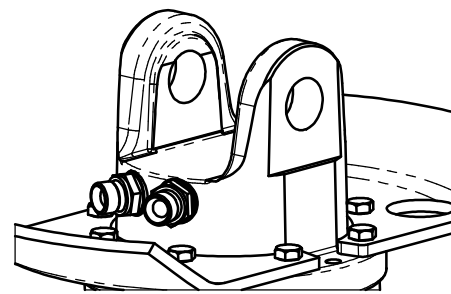


FR 21 A	
Rotation angle	Unlimited
Max. working pressure	200 bar
Displacement	543 cm ³
Torque (200 bar)	1350 Nm
Max. axial force	112 kN
Safe working load	7500 kg
Weight	39 kg

Direction W



Direction X



Basic models				
Item	Name	Direction	D1	D2
12101	FR 21-X35A35	X	35	35
12103	FR 21-W35A35	W	35	35