



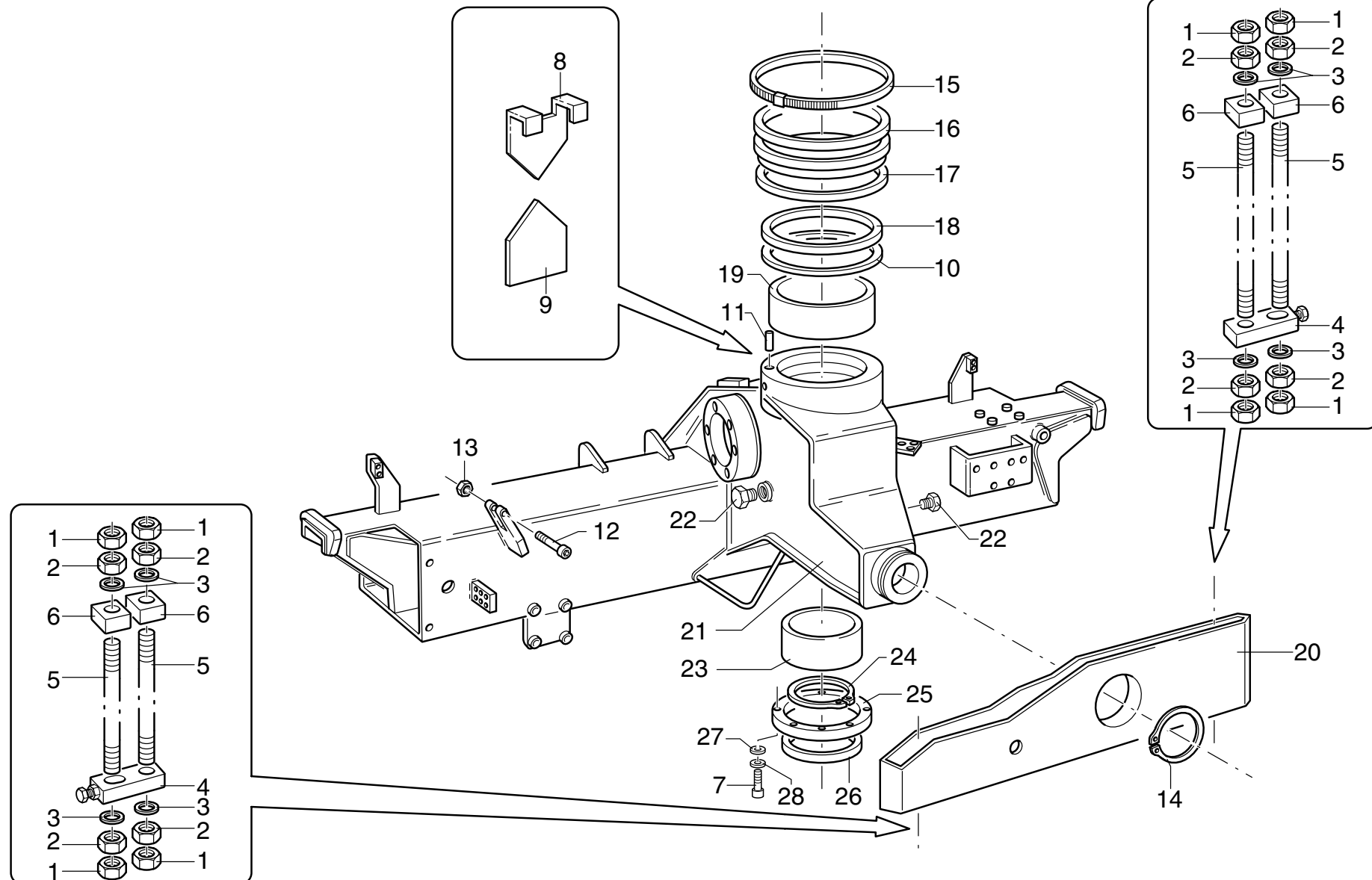
# BASE - ANCORAGGIO

\* Emabase - ancrage  
\* Base - anchorage kit

\* Kranfuss - Befestigungsatz  
\* Base - Kit de manatje

TAV. GA.01.01  
matr. G.A42.0001

PM 34  
PM 37



**PM 34 - PM 37****matr. G.A42.0001****TAV. GA.01.01**

POS.	N°CODICE	Q	DESCRIZIONE	DESIGNATION	BENENNUNG	DESCRIPTION	DENOMINACIONES
1	191087	16	DADO M30X2 UNI 5589	ECROU	MUTTER	NUT	TUERCA
2	191173	16	DADO M30X2 UNI 5588	ECROU	MUTTER	NUT	TUERCA
3	417175	16	RONDELLA D.31 UNI 1734	RONDELLE	SCHEIBE	WASHER	ARANDELA
4	459067	4	STAFFA	ETRIER	BRIDE	BRACKET	PLETINA
5	481189	8	TIRANTE D'ANCORAGGIO	TIRANT	ZUGSTANGE	TIEROD	ESAPARRAGO
6	459066	8	STAFFA	ETRIER	BRIDE	BRACKET	PLETINA
7	497121	8	VITE TCEI M6X30 UNI 5931 8.8	VIS	SCHRAUBE	SCREW	TORNILLO
8	295131	1	ASTA	TIGE	STANGE	ROD	VASTAGO
9	475376	1	TARGHETTA	AUTOCOLLANTS	SCHILD	DECAL	ETIQUETA
10 *	112220	1	ANELLO	BAGUE	RING	RING	ARO
11	455016	2	SPINA	GOUPILLE	STIFT	PIN	PASADOR
12	497225	1	VITE TCEI M6X12 UNI 5931 8.8	VIS	SCHRAUBE	SCREW	TORNILLO
13	191096	2	DADO M14 UNI 7473	ECROU	MUTTER	NUT	TUERCA
14	109193	1	ANELLO ELASTICO 140 UNI 7435	JOINT D'ARRET	SPRENGRING	SPRING RING	SEEGER
15	207083	1	FASCETTA	COLLIER	HALTEBAND	CLAMP	ABRAZADERA
16	271980	1	GUARNIZIONE	GARNITURE	DICHTUNG	SEAL	JUNTA
17	112121	1	ANELLO	BAGUE	RING	RING	ARO
18	112140	1	ANELLO	BAGUE	RING	RING	ARO
19 *	137097	1	BOCCOLA	DOUILLE	BUCHSE	BUSHING	CASQUILLO
20	465790	1	SUPPORTO	SUPPORT	TRAEGER	SUPPORT	SOPORTE
21 *	129084	1	BASE	EMBASE	KRANFUSS	BASE	BASE
22	471219	2	TAPPO	BOUCHON	VERSCHLUSS	CAP	TAPON
23 *	137098	1	BOCCOLA	DOUILLE	BUCHSE	BUSHING	CASQUILLO
24	109028	1	ANELLO ELASTICO	JOINT D'ARRET	SPRENGRING	SPRING RING	SEEGER
25	112141	1	ANELLO	BAGUE	RING	RING	ARO
26	272214	1	GUARNIZIONE	GARNITURE	DICHTUNG	SEAL	JUNTA